

NOTICE DE MONTAGE

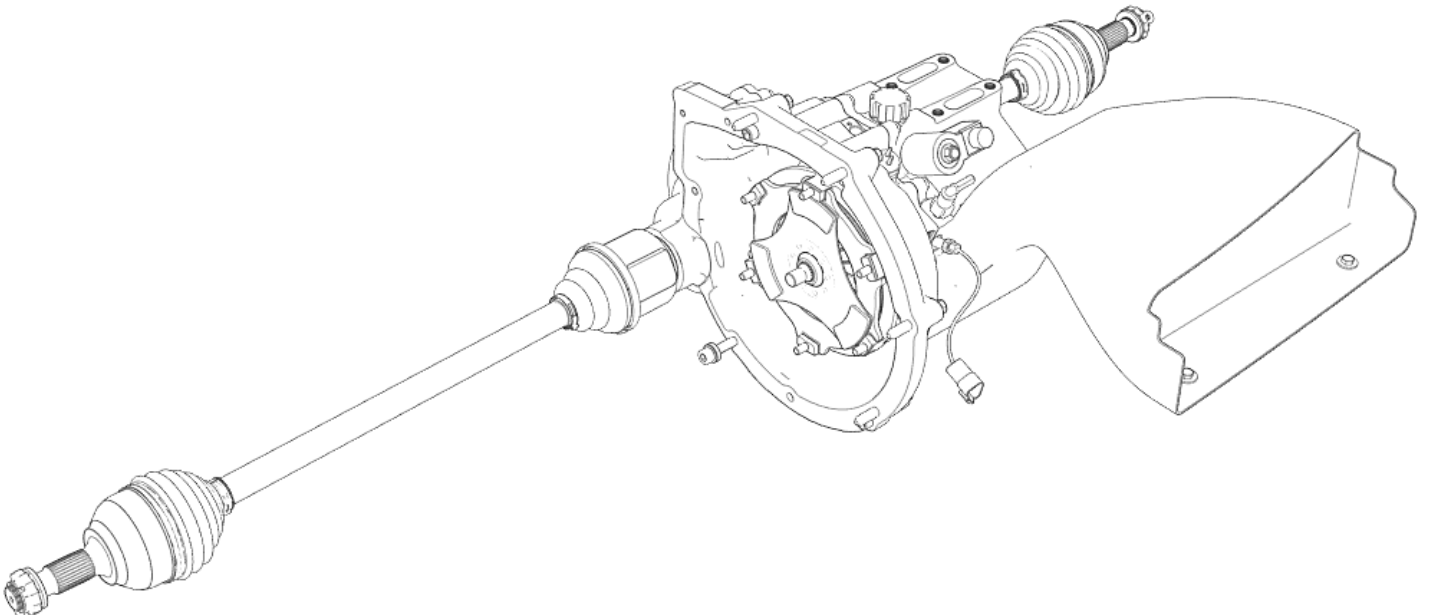
208 R2

C00 – TRANSMISSION

C11 – embrayage

C23 – mécanique BV

C71 – transmissions



PEUGEOT
SPORT

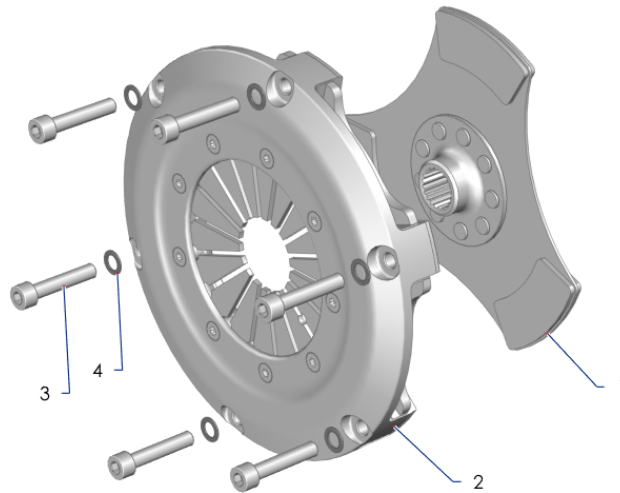
Tableau de suivi des versions

| Pages | | | | | | | | | | | | | | | | | | | | | |
|--------------------------------------|----|----|----|----|---|---|---|---|---|----|----|----|----|----|----|----|----|----|----|----|--|
| E D I T I O N S | 1 | 2 | 3 | 4 | 5 | 6 | 7 | 8 | 9 | 10 | 11 | 12 | 13 | 14 | 15 | 16 | 17 | 18 | 19 | 20 | |
| | 00 | 00 | 00 | 00 | | | | | | | | | | | | | | | | | |
| | | | | | | | | | | | | | | | | | | | | | |
| | | | | | | | | | | | | | | | | | | | | | |
| | | | | | | | | | | | | | | | | | | | | | |
| | | | | | | | | | | | | | | | | | | | | | |
| | | | | | | | | | | | | | | | | | | | | | |
| | | | | | | | | | | | | | | | | | | | | | |
| | | | | | | | | | | | | | | | | | | | | | |
| | | | | | | | | | | | | | | | | | | | | | |

| Pages | | | | | | | | | | | | | | | | | | | | | |
|--------------------------------------|----|----|----|----|----|----|----|----|----|----|----|----|----|----|----|----|----|----|----|----|--|
| E D I T I O N S | 21 | 22 | 23 | 24 | 25 | 26 | 27 | 28 | 29 | 30 | 31 | 32 | 33 | 34 | 35 | 36 | 37 | 38 | 39 | 40 | |
| | | | | | | | | | | | | | | | | | | | | | |
| | | | | | | | | | | | | | | | | | | | | | |
| | | | | | | | | | | | | | | | | | | | | | |
| | | | | | | | | | | | | | | | | | | | | | |
| | | | | | | | | | | | | | | | | | | | | | |
| | | | | | | | | | | | | | | | | | | | | | |
| | | | | | | | | | | | | | | | | | | | | | |
| | | | | | | | | | | | | | | | | | | | | | |
| | | | | | | | | | | | | | | | | | | | | | |

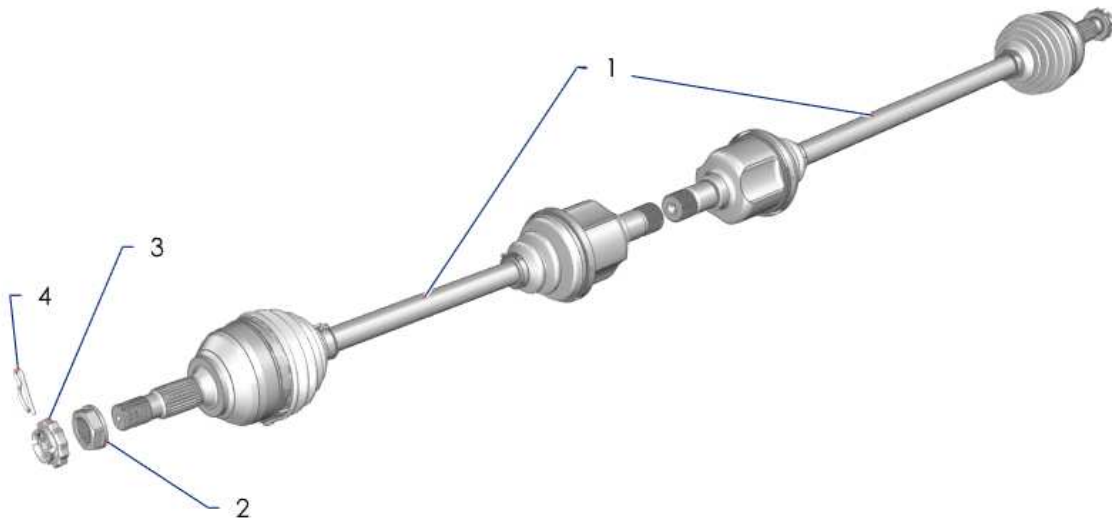
| | | | | | | | | | | | | | | | | | | | | |
|------|-------|------------|--------|--|--|--|--|--|--|--|--|--|--|--|--|--|--|--|--|--|
| Ver. | Etud. | 00 | NOTICE | | | | | | | | | | | | | | | | | |
| | Date | 22/02/2013 | | | | | | | | | | | | | | | | | | |
| | OCM | - | | | | | | | | | | | | | | | | | | |
| Ver. | Etud. | | | | | | | | | | | | | | | | | | | |
| | Date | | | | | | | | | | | | | | | | | | | |
| | OCM | | | | | | | | | | | | | | | | | | | |

C11 - embrayage



| Rep | Référence | Désignation | Qté | Cs (mkg) | Obs |
|-----|------------|--------------------------------|-----|----------|------------------------------------|
| 1 | 1C1120697A | Mécanisme embrayage Ø184 Alcon | 1 | | |
| 2 | 1C1124257A | Disque embrayage ep 7.2 Alcon | 1 | | option centreur : ref. FOUT0085017 |
| 3 | PS82010A10 | Vis CHC M8x40 cl12.9 | 6 | | |
| 4 | PS86570A10 | Rondelle SPS Ø8x13x0.8 | 6 | | |

C71 - transmissions



| Rep | Référence | Désignation | Qté | Cs (mkg) | Obs |
|-----|------------|-----------------------------|-----|----------|--|
| 1 | 1C7121368B | Transmission AV D renforcée | 1 | | graisser canelures (coté roue)Loctite 8007 ou 8008 ou 8065 |
| | 1C7121369B | Transmission AV G renforcée | 1 | | " |
| 3 | 3297-33 | Ecrou de fixation de moyeu | 2 | 34 | |
| 4 | 3297-35 | Frein d'écrou | 2 | | |
| 5 | 3297-03 | Epingle écrou de fusée | 2 | | |

Ed. :

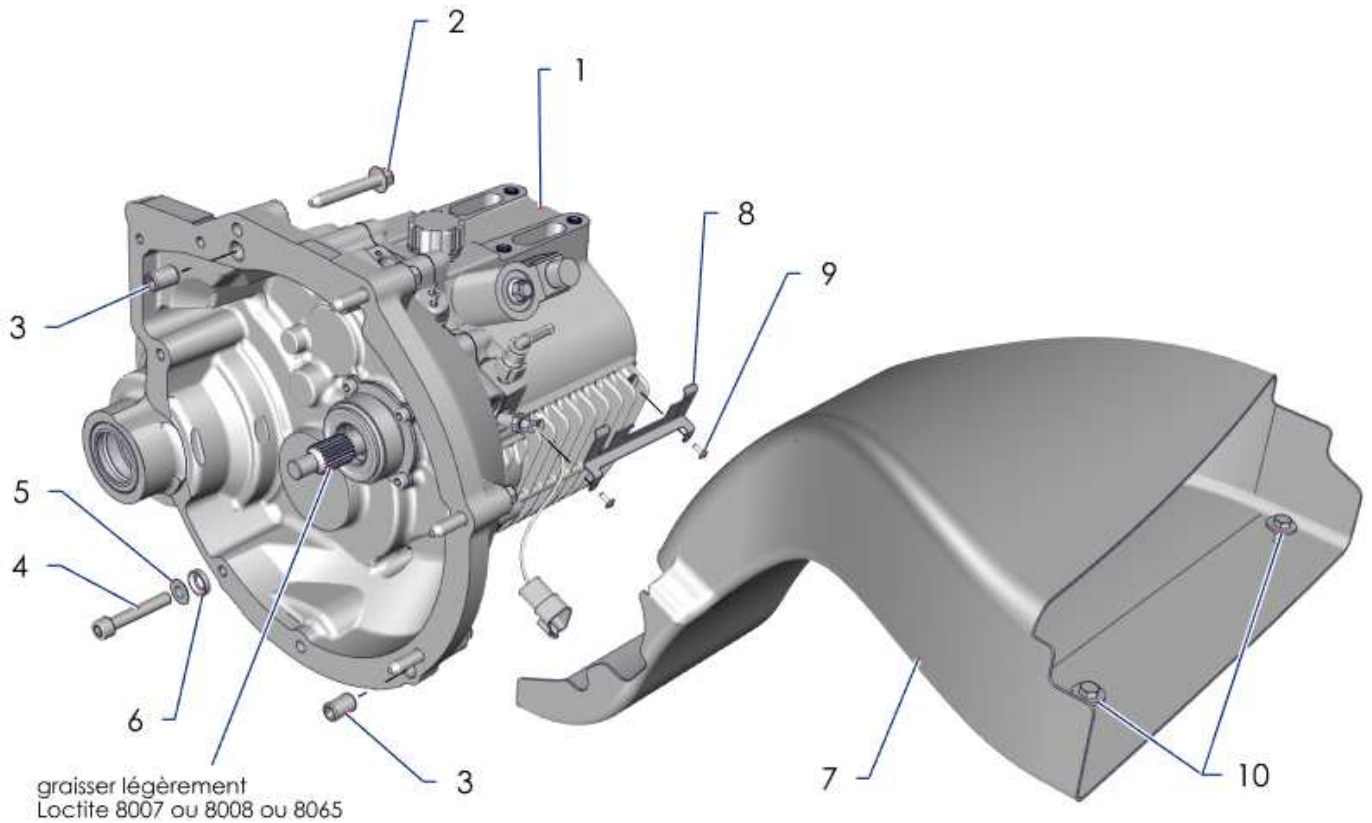
00

208 R2

Notice de montage
C00 - TRANSMISSION

3

C23 - mécanique BV / thermique



| Rep | Référence | Désignation | Qté | Cs (mkg) | Obs |
|-----|------------|--------------------------------------|-----|----------|-----|
| 1 | 1C2320700C | Boîte de vitesses séq 5v Assemblée | 1 | | |
| 2 | 6925V0 | Vis à embase HR EMB M10x65 | 4 | 5,5 | |
| 3 | 19800-94 | Goupille de centrage Ø14x20 | 2 | | |
| 4 | CS530275ST | Vis CHC M10x55 acier cl.10,9 | 1 | 5,5 | |
| 5 | 1E2420457A | Rondelle convexe D10 | 1 | | |
| 6 | 1E2420458A | Rondelle concave D10 | 1 | | |
| 7 | 1C8121173B | Gaine BV | 1 | | |
| 8 | 1C8121243C | Support gaine BV | 1 | | |
| 9 | 6924-11 | Vis RLX STD M4x12 | 2 | | |
| 10 | 6923H0 | Vis TH RDL M6x16 | 2 | | |
| | 1C2340626A | Huile de BV TOTAL H50168B (2 Litres) | 1 | | |

Ed. :

00

208 R2

Notice de montage
C00 - TRANSMISSION

4



PEUGEOT
SPORT