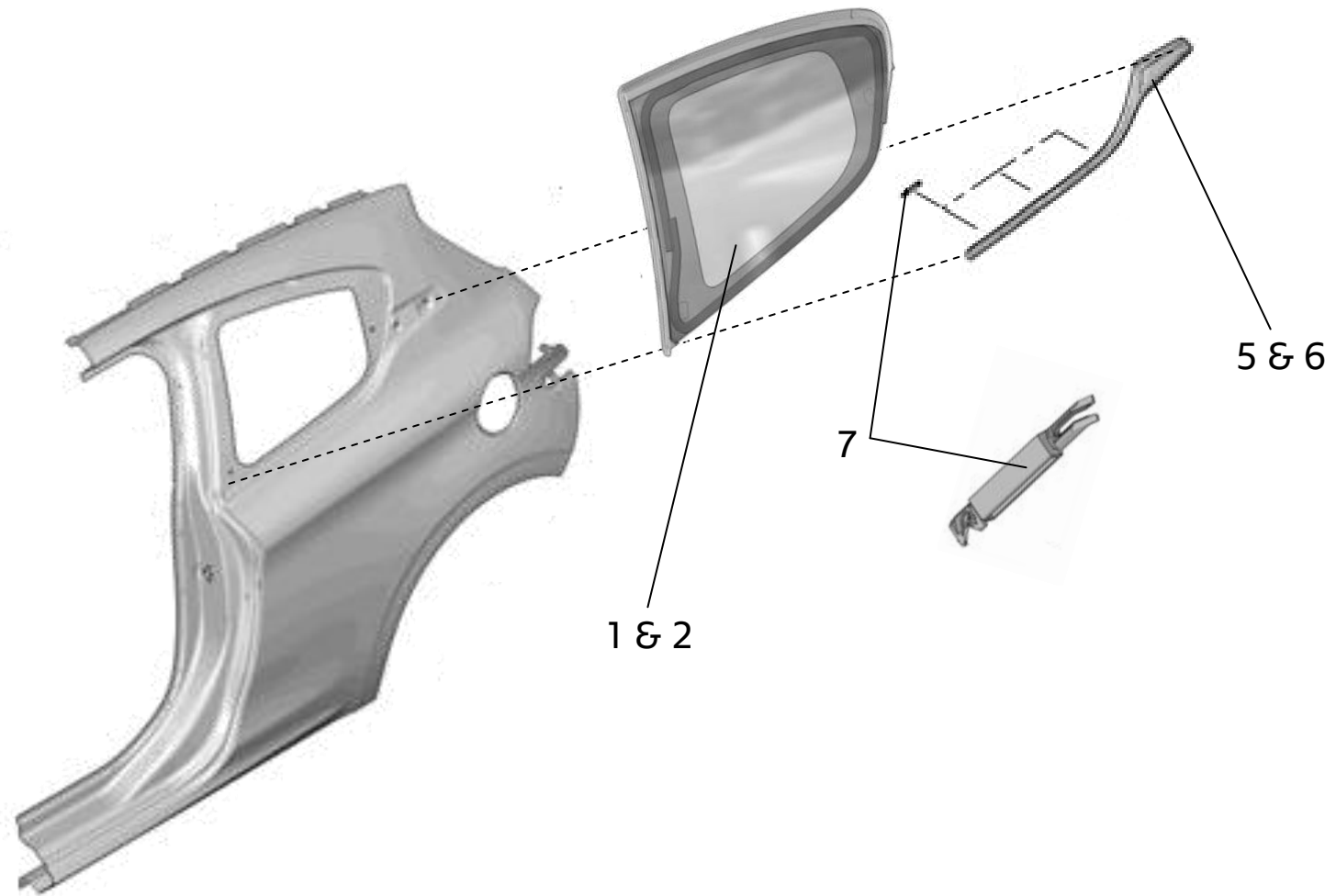




**P1D**  
**VITRES ARRIERES**  
*REAR WINDOWS*

# 208 T16



REP	REFERENCE	QTE	DESIGNATION
1	9673556880	1	<b>Vitre custode D</b> <i>Rear right quarter glass</i>
2	9673556980	1	<b>Vitre custode G</b> <i>Rear left quarter glass</i>
3	216500-12	1	<b>Kit film antidéflagrant</b> <i>Explosion proof glass screen kit</i>
4	1609546180	1	<b>Kit collage pour pare-brise et vitres</b> <i>Windows glue kit</i>
5	9675987580	1	<b>Enjoliveur D</b> <i>Rear right quarter moulding</i>
6	9675987680	1	<b>Enjoliveur G</b> <i>Rear left quarter moulding</i>
7	9676253780	6	<b>Agrafe d'enjoliveur de custode</b> <i>Moulding clip</i>
8	PS86038A10	24	<b>Rondelle plate Ø3x6-0,8</b> <i>Flat washer</i>

REP	REFERENCE	QTE	DESIGNATION