

Catalogue Pièces

Parts catalogue

Version du 14/06/2023

Contents Table

A10 – MOTEUR ASSEMBLE - <i>ASSEMBLED ENGINE</i>	8	C80 – REFROIDISSEMENT BV - <i>GEARBOX COOLING</i>	58
A12 – ATTELAGE MOBILE – <i>CRANK DRIVE</i>	10	D11 – SUPPORTS MOTEUR – <i>ENGINE MOUNTS</i>	60
A15 – GRAISSAGE – <i>LUBRICATION</i>	12	E11 – BERCEAU AVANT – <i>FRONT SUBFRAME</i>	62
A16 – POMPE A EAU – <i>WATER PUMP</i>	14	E12 – TRIANGLE AV – <i>FRONT WISHBONE</i>	64
A21 – REPARTITEUR ADMISSION AIR – <i>AIR INTAKE MANIFOLD</i>	16	E13 – PIVOTS AVANT – <i>FRONT UPRIGHT</i>	66
A23 – INJECTION – <i>INJECTION</i>	18	E14A – SUSPENSION AVANT – <i>FRONT SUSPENSION</i>	68
A26 – ADMISSION AIR – <i>AIR INTAKE</i>	20	E14B – CAPTEUR DEBATTEMENT SUSPENSION AV – <i>FRONT SUSPENSION TRAVEL SENSOR</i>	70
A27A – SURALIMENTATION – <i>SUPERCHARGING</i>	22	E15 – BARRE ANTIROULIS AVANT – <i>FRONT ANTI-ROLL BAR</i>	72
A27B – TURBO – <i>TURBOCHARGING</i>	24	E21 – TRAVERSE ARRIERE – <i>REAR CROSS MEMBER</i>	74
A31 – ALTERNATEUR – <i>ALTERNATOR</i>	26	E24 – PORTE MOYEU ARRIERE – <i>REAR WHEEL HUB</i>	76
A32 – DEMARREUR – <i>STARTER MOTOR</i>	28	E25A – SUSPENSION ARRIERE – <i>REAR SUSPENSION</i>	78
A33 – ALLUMAGE – <i>IGNITION</i>	30	E25B – CAPTEUR DEBATTEMENT SUSPENSION AR – <i>REAR SUSPENSION TRAVEL SENSOR</i>	80
A36 - BOITIER PILOTAGE ELECTRONIQUE - <i>ENGINE CONTROL DEVICES</i>	32	E26 – BARRE ANTIROULIS ARRIÈRE – <i>REAR ANTI-ROLL BAR</i>	82
A37 – CAPTEURS & ACTIONNEURS MOTEUR – <i>ENGINE SENSORS & ACTUATORS</i>	34	E31 – ROUES – <i>RIMS</i>	84
A41 – COLLECTEUR D'ECHAPPEMENT – <i>EXHAUST MANIFOLD</i>	36	E41 – MECANISME DE DIRECTION – <i>STEERING RACK</i>	86
B12 – REFROIDISSEMENT – <i>COOLING</i>	38	E44 – BIELLETTE DE DIRECTION – <i>STEERING ROD</i>	88
B13 – LUBRIFICATION – <i>LUBRICATION</i>	42	E45 – COLONNE DE DIRECTION – <i>STEERING COLUMN</i>	90
B21 – LIGNE D'ECHAPPEMENT - <i>EXHAUST LINE</i>	44	F11 – DISQUES DE FREIN AVANT – <i>FRONT BRAKE DISCS</i>	94
C11 – EMBRAYAGE – <i>CLUTCH</i>	46	F21 – ÉTRIERS DE FREIN AVANT – <i>FRONT BRAKE CALIPERS</i>	96
C23 – BOITE DE VITESSES – <i>GEARBOX</i>	48	F22 – REFROIDISSEMENT FREIN – <i>BRAKE COOLING</i>	100
C29 – EQUIPEMENT BV - <i>GEARBOX COMPONENTS</i>	50	F41 – FREINS ARRIERES – <i>REAR BRAKES</i>	102
C71 – TRANSMISSION – <i>DRIVESHAFT</i>	56	F63 – CIRCUIT DE FREIN – <i>BRAKE CIRCUIT</i>	106

F64 – CIRCUIT ABS - ABS BRAKING CIRCUIT	110	S3A – CONSOLE CENTRALE – CENTER CONSOLE	164
F71 – FREIN A MAIN – HAND BRAKE	112	T3C – EXTINCTEUR AUTOMATIQUE – AUTOMATIC FIRE EXTINGUISHER	166
G11 – PEDALIER – PEDAL BOX	114	T3L – ÉLÉMENTS DE PROTECTION – PROTECTION COMPONENTS ...	168
H11 – CIRCUIT DE LEVAGE – LIFTING SYSTEM	118	T4A – RESERVOIR CARBURANT – FUEL TANK	170
K3C – AILES AVANT – FRONT FENDERS	120	U1A – HARNAIS – SAFETY HARNESS	182
K4E – AILES ARRIÈRE – REAR WINGS	122	V1B – VENTILATION HABITACLE – COCKPIT VENTING	184
K7A-1 – PORTES AVANT – FRONT DOORS	124	V2A – CIRCUIT CHAUFFAGE – HEATER BLOWING SYSTEM	186
K7A-2 – PORTES ARRIERE – REAR DOORS	126	X4A – PANNEAUX DE PORTE – DOOR PANELS	188
K7B – CAPOT AVANT – BONNET	128	Y1A – ASSISE PILOTE – DRIVER SEAT	190
K7C – VOLET ARRIERE – TAILGATE	130	Y2A – ASSISE PASSAGER – PASSENGER SEAT	192
K9A – CAISSE – BODY SHELL	134	Z1C – BATTERIE – BATTERY	194
P1A – PARE-BRISE – WINDSCREEN	136	Z2A – PROJECTEURS AVANT – HEAD LIGHTS	196
P1C-1 – VITRE PORTES AVANT – FRONT DOORS WINDOW	138	Z2F – FEUX ARRIERE – REAR LIGHTS	198
P1C-2 – VITRE PORTES ARRIÈRE – REAR DOORS WINDOW	140	Z6E – ESSUIES VITRE AVANT – WINDSCREEN WIPERS	200
R1A-1 – PARE CHOC AVANT – FRONT BUMPER	142	Z9J – FAISCEAUX MOTEUR – ENGINE LOOMS	202
R1A-2 – LAME AVANT – FRONT SPLITTER	144	Z9S – FAISCEAUX HABITACLE – INSIDE LOOMS	203
R1B – BOUCLIER ARRIERE – REAR BUMPER	146		
R5A – RETROVISEURS EXTERIEUR – SIDE MIRRORS	148		
R5F – ANNEAUX ARRIMAGE – TOWING STRAPS	150		
R6A-1 – PROTECTION MOTEUR V1 – ENGINE PROTECTION V1	152		
R6A-2 – PROTECTION MOTEUR V2 – ENGINE PROTECTION V2	154		
R6C-1 – BAS DE CAISSE – SIDE SKIRTS	156		
R6C-2 – PROTECTION PASSAGE DE ROUES – WHEELS MUD GUARDS	158		
S1A – PLANCHE DE BORD – DASHBOARD	160		
S1C – AFFICHEUR – DASHBOARD DISPLAY	162		

Fluides véhicule - Running fluids

903587078A	5	Huile QUARTZ RACING 10W50 1L	<i>Oil Total Quartz Racing 10w50 1l</i>
0AXXQUARTZ	1	Huile QUARTZ RACING 10W50 5L	<i>Oil Total Quartz Racing 10w50 5l</i>
1C2340626A	1	Huile de BV TOTAL H50168B (2 Litres)	<i>Gearbox oil Total H50168B (2 l)</i>
9735K1	1	LIQUIDE REFROID -35 BIDON DE 2L	<i>Coolant 2 L (-35°)</i>
9735K0	1	Liquide refroid -35°C Bidon de 5L	<i>Coolant 5 L (-35°)</i>
PS52082A10	1	Additif Total htx coolant ci (Bidon de 5L)	<i>Coolant additiv total Htx ci liquid 5l</i>
1615099680	1	Liquide hydraulique LDS	<i>LDS Hydraulic Fluid</i>
PS97633A10	1	Liquide de frein Brembo HTC64T (0,5 l)	<i>Brake Fluid Brembo HTC64T (0,5 l)</i>

Entretien & Maintenance - Care & Service

0A2606507	1	Nettoyant filtre à air	<i>Air filter Cleaner</i>
0A2606821	1	Huile de filtre à air	<i>Air Filter Oil</i>
RC8131167A	1	Joint de Pare Brise chauffant	<i>Heating windscreen seal</i>
3Z1C23836A	1	Batterie Extreme 30	<i>Battery</i>
972694	1	ACTIVATEUR AEROL15 AEROSOL 150 ML	<i>Dual component activator spray</i>
972451	1	KIT DE COLLAGE OUTILLA	<i>Dual component sticking kit</i>
ZOA0030929	12	GRAISSE CARDAN N32186 -50G	<i>Driveshaft grease</i>

Outillage spécifique - Spécial Tools**C238 - Kit de révision & Outillage - Rebuild service kit & Tools**

FOUT9045200	1	Douille d'écrou primaire	Shaft nuts socket
FOUT9046001	1	Actionneur de commande	Command actuator
F1404705	1	Douille de précharge côté G	Preload measurment socket - Left side
FOUT9046009	1	Douille de précharge côté D	Preload measurment socket - Right side
FOUT9046011	1	Rondelle de compression	Compression washer
0301344	1	Vis CHC M6x70	M6x70 socket screw
FOUT9046006	1	Douille de serrage écrou axe de commande	Command shaft nut socket
FOUT9046031	1	Anneau de manutention	Handling ring

C71 - Transmission - Driveshaft

904611458A	1	DOUILLE SER TRANS 41mm	Driveshaft Special 41mm Socket
------------	---	------------------------	--------------------------------

D11 - Supports moteur - Engine mounts

0D1121391A	1	Bague extraction silentbloc GMP	Extraction ring for silent bloc
0D1121393A	1	Canon extraction silentbloc GMP	Extraction spout for silent bloc
0D1121395A	1	Canon emmanchement silentbloc GMP	Hafting spout for silent bloc
0D1121396B-OUT	1	Tige filetée M12x210	Threaded shaft M12x210
6933-16	3	Ecrou H M12	Hexagonal nut M12
0A1326943A-OUT	1	n Attache levage	Lifting holder
0A1326944A-OUT	1	Crochet levage	Lifting hook

E12 - Triangle AV - Front wishbone

1E1264026A-OUT	1	Outil sertissage rotule Aurora HAB-10TG	Ball joint mounting tool
----------------	---	---	--------------------------

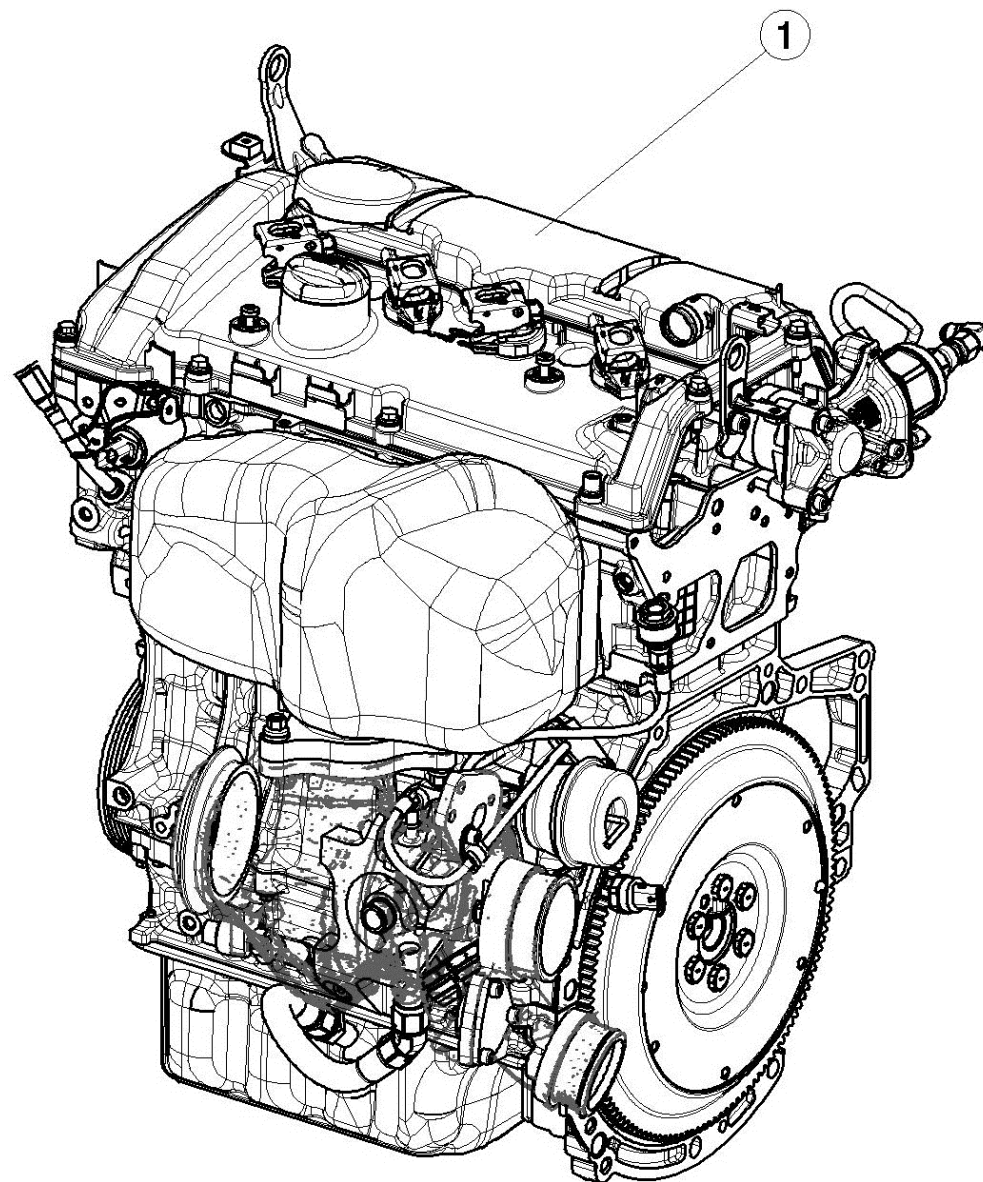
E14 & E25 - Suspension - suspension

904458429A	1	OUTIL SERRAGE TETE AMORTISSEUR	Shock Absorber Head Tightening Tool
904621668A	1	OUTIL BAGUE GLICODUR	Front strut guiding ring mounting tool
904621678A	1	OUTIL JOINT	Wiper seal mounting tool
904621688A	1	SOCLE JDF	Front strut plinth

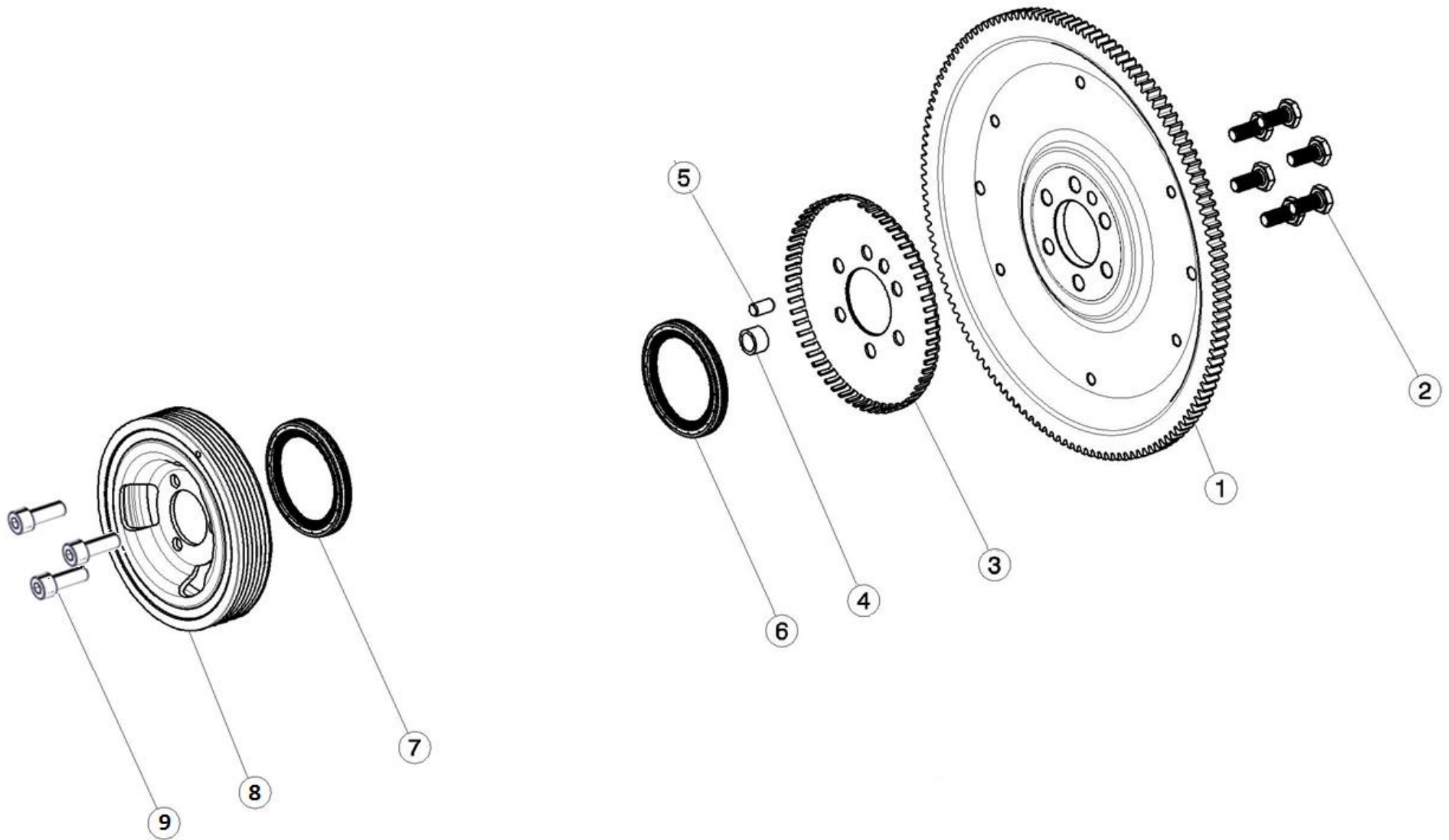
H11 - Circuit de levage - Lifting system

PS97132A10	1	Lance CP6116-15	CP6116-15 Lance
1H1121077A	3	Chandelle CP3985-23	CP3985-23 Props

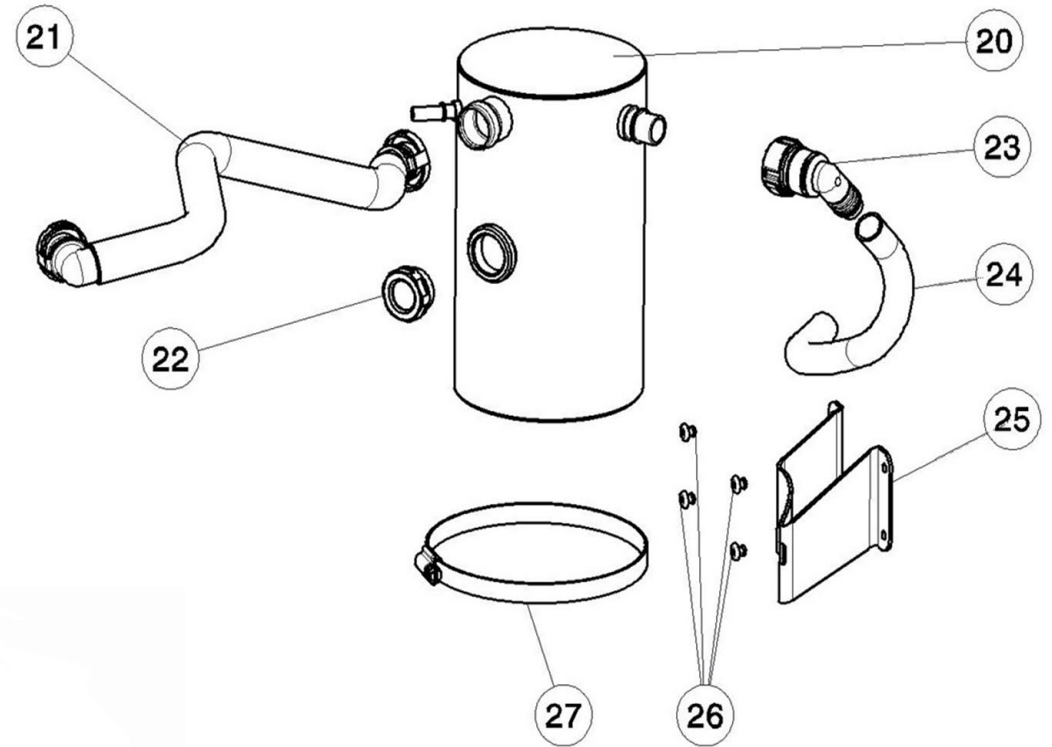
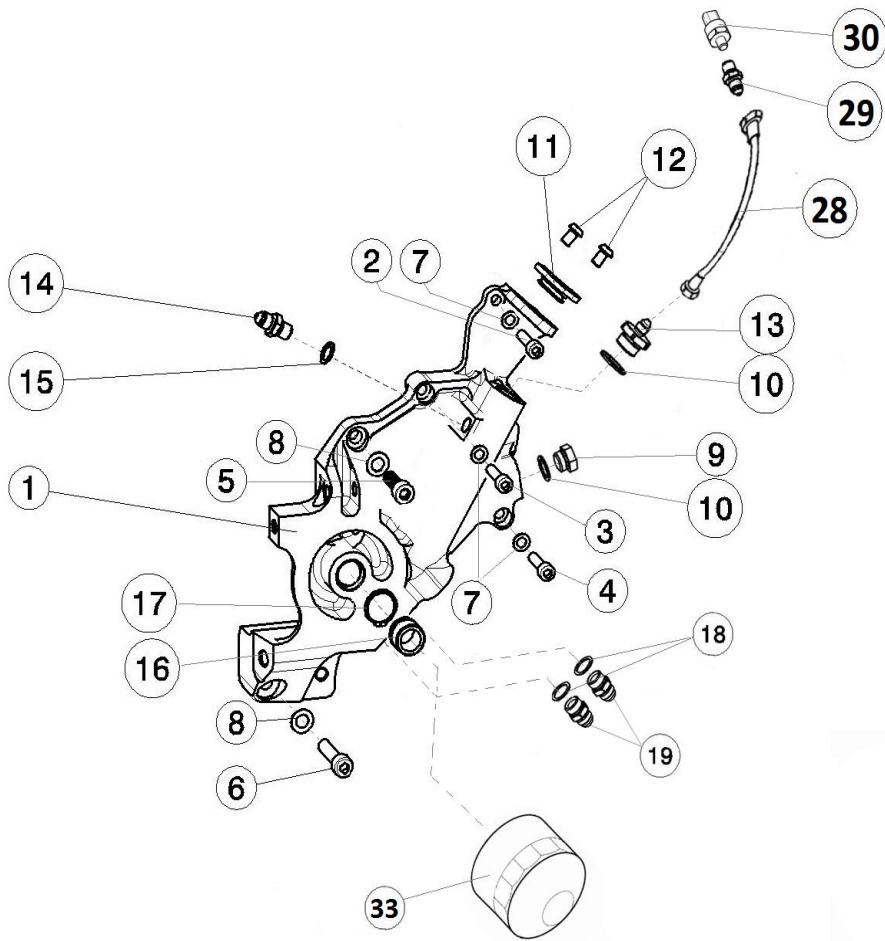
A10 – Moteur assemblé - *Assembled engine*



A12 – Attelage Mobile – Crank Drive



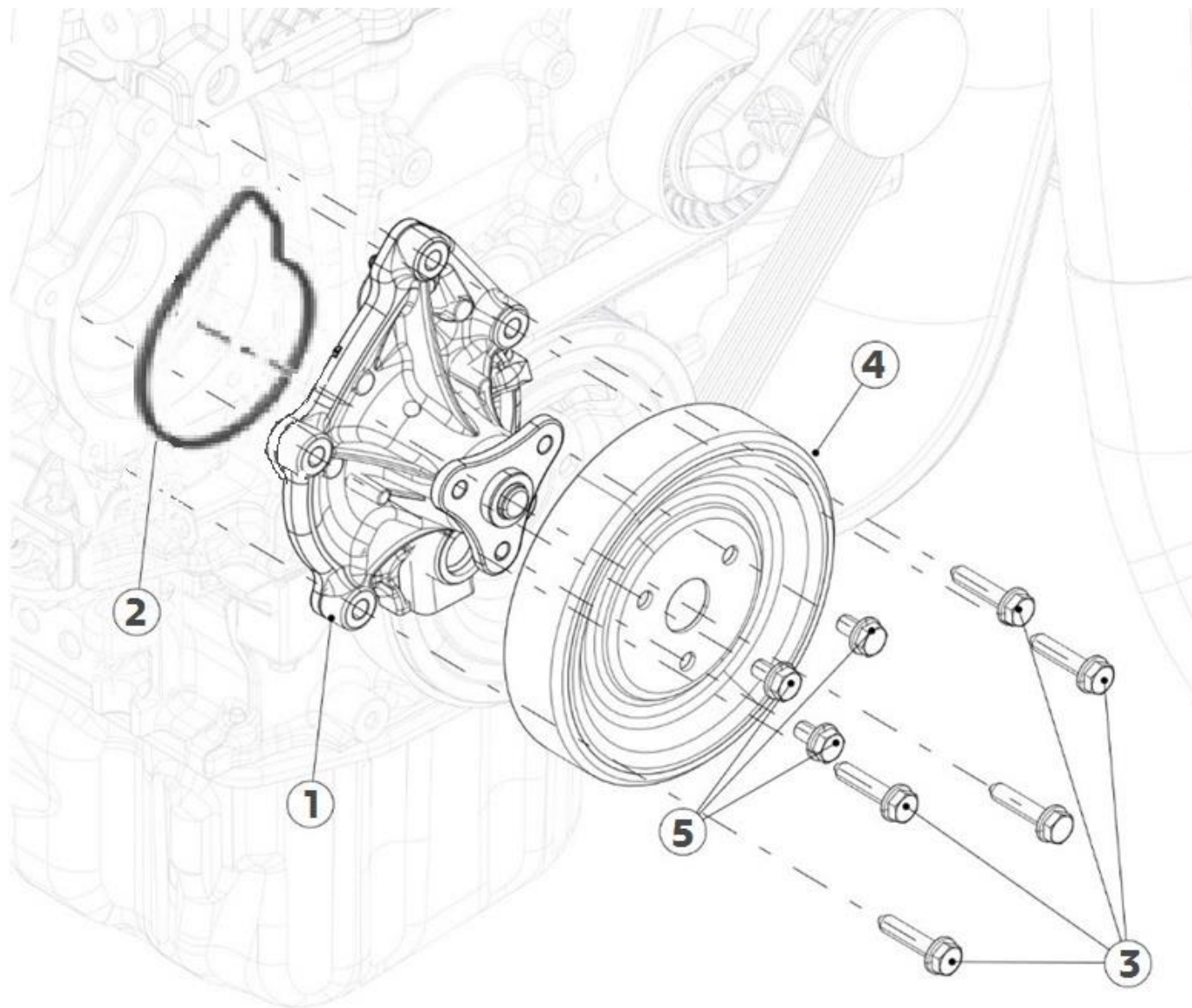
A15 – Graissage – Lubrication



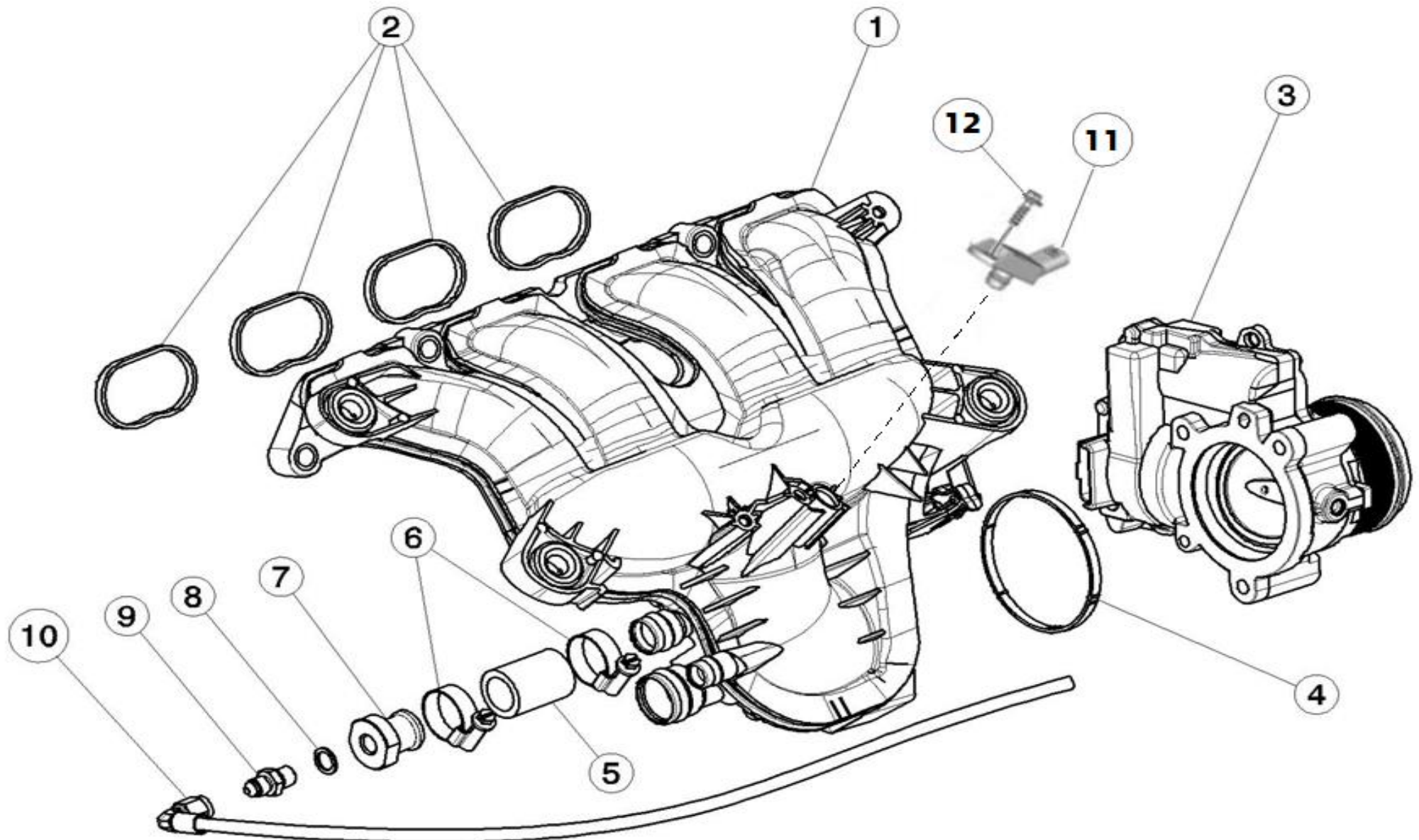
REP	REFERENCE	QTE	DESIGNATION
1	904603108A	1	Support platine filtre à huile Oil filter plate adaptor
2	PS82001A10	1	Vis CHC M6-20 Socket screw M6-20
3	PS82017A10	1	Vis CHC M6-25 Socket screw M6-25
4	PS82120A10	1	Vis CHC M6-30 Socket screw M6-30
5	PS82091A10	1	Vis CHC M8-25 Socket screw M8-25
6	PS82082A10	1	Vis CHC M8-35 Socket screw M8-35
7	PS86004A10	3	Rondelle Onduflex D6 D6 Onduflex washer
8	PS86009A10	2	Rondelle Onduflex D8 D8 Onduflex washer
9	1714-A2	1	Bouchon tube M18x150 Stainless Cap M18x150
10	PS81565A10	2	Joint Cuivre 18x24x1.5 Copper seal 18x24x1.5
11	904602078A	1	Bouchon eau support filtre huile Oil filter mount water cap
12	PS82660A10	2	Vis BHC M6-10 BHC Screw M6-10
13	PS73827A10	1	Adaptateur M18-Dash3 M18-Dash3 adaptor
14	PS73035A10	1	Adaptateur M10-dash3 M10-dash3 adaptor
15	PS81031A10	1	Joint cuivre 10x14x1 Copper seal 10x14x1
16	0A1563769A	1	Mamelon M20 Nipple M20
17	CS06002ST	1	Anneau arrêt mamelon Nipple retaining ring

REP	REFERENCE	QTE	DESIGNATION
18	1E4260808A	2	Adaptateur M20-dash8 M20-dash8 adaptor
19	PS76010A10	2	Joint cuivre 20x26x1.5 Copper seal 20x26x1.5
20	904608988A	1	Boîte de dégazage Degassing tank
21	1192CN	1	Raccord vapeur d'huile Oil vapour hose
22	90344293-A	1	Indicateur niveau Level indicator
23	PS73421A10	1	Coupleur 90° D17.5 Coupling 90° D17.5
24	PS69789A10	1	Tuyau convolutoé L400 Convoluted hose L400
25	0A1526043A	1	Support boîte de dégazage Degassing tank mount
26	PS92593A10	4	Rivet TP D5x10 Rivet TP D5x10
27	PS91543A10	1	Collier métal D104-138 L12 Metal collar D104-138 L12
28	904613188A	1	Flexible capteur P Oil P Oil sensor hose
29	9802152780	1	Capteur pression d'huile Oil presure sensor
30	904602088A	1	Adaptateur pression huile Oil presure sensor adaptor
31	903587078A	5	Huile QUARTZ RACING 10W50 1L QUARTZ RACING Oil 10W50 1L
32	0AXXQUARTZ	1	Huile QUARTZ RACING 10W50 5L QUARTZ RACING Oil 10W50 5L
33	903537658A		Filtre à huile (FIA) Oil filter

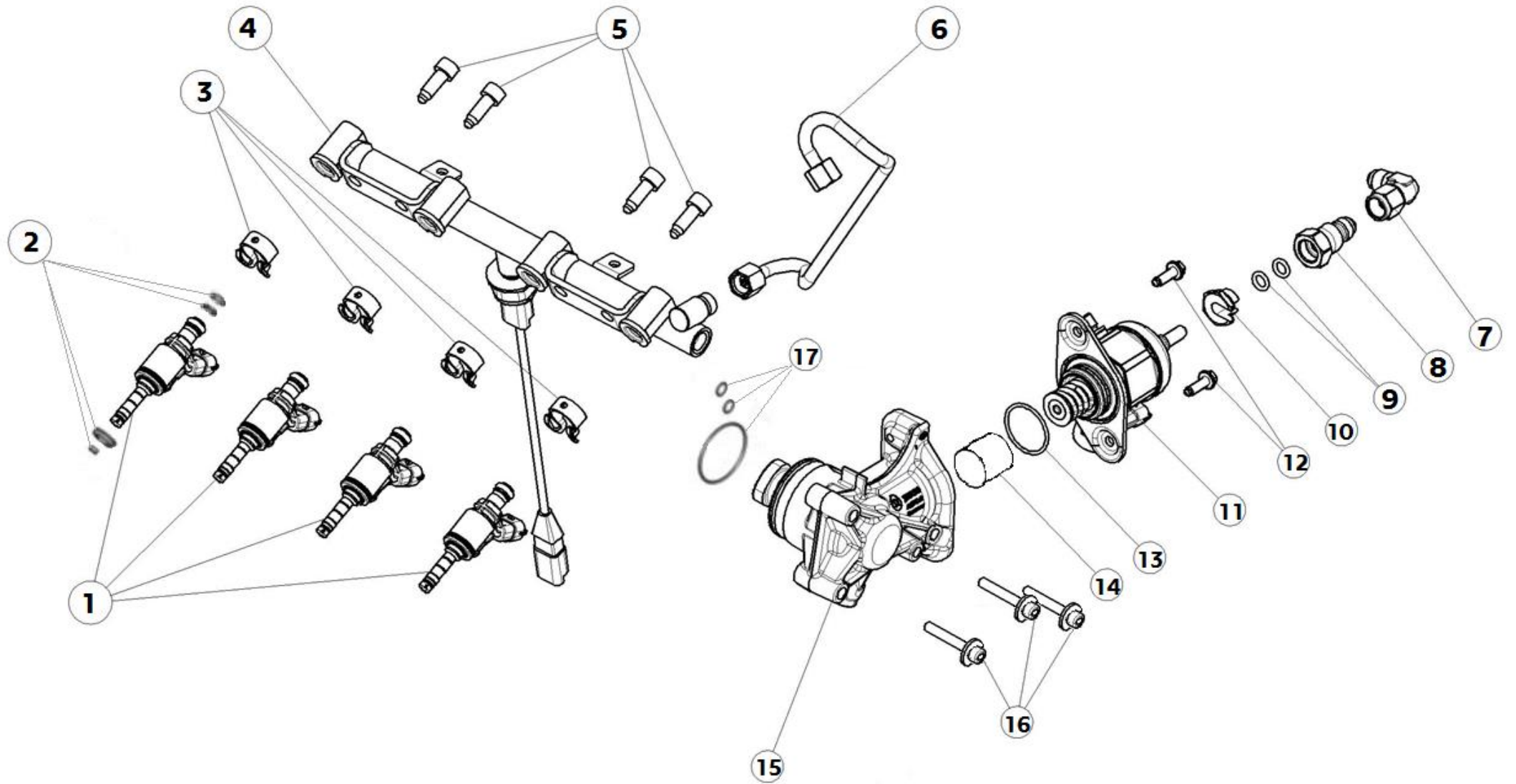
A16 – Pompe à Eau – Water Pump



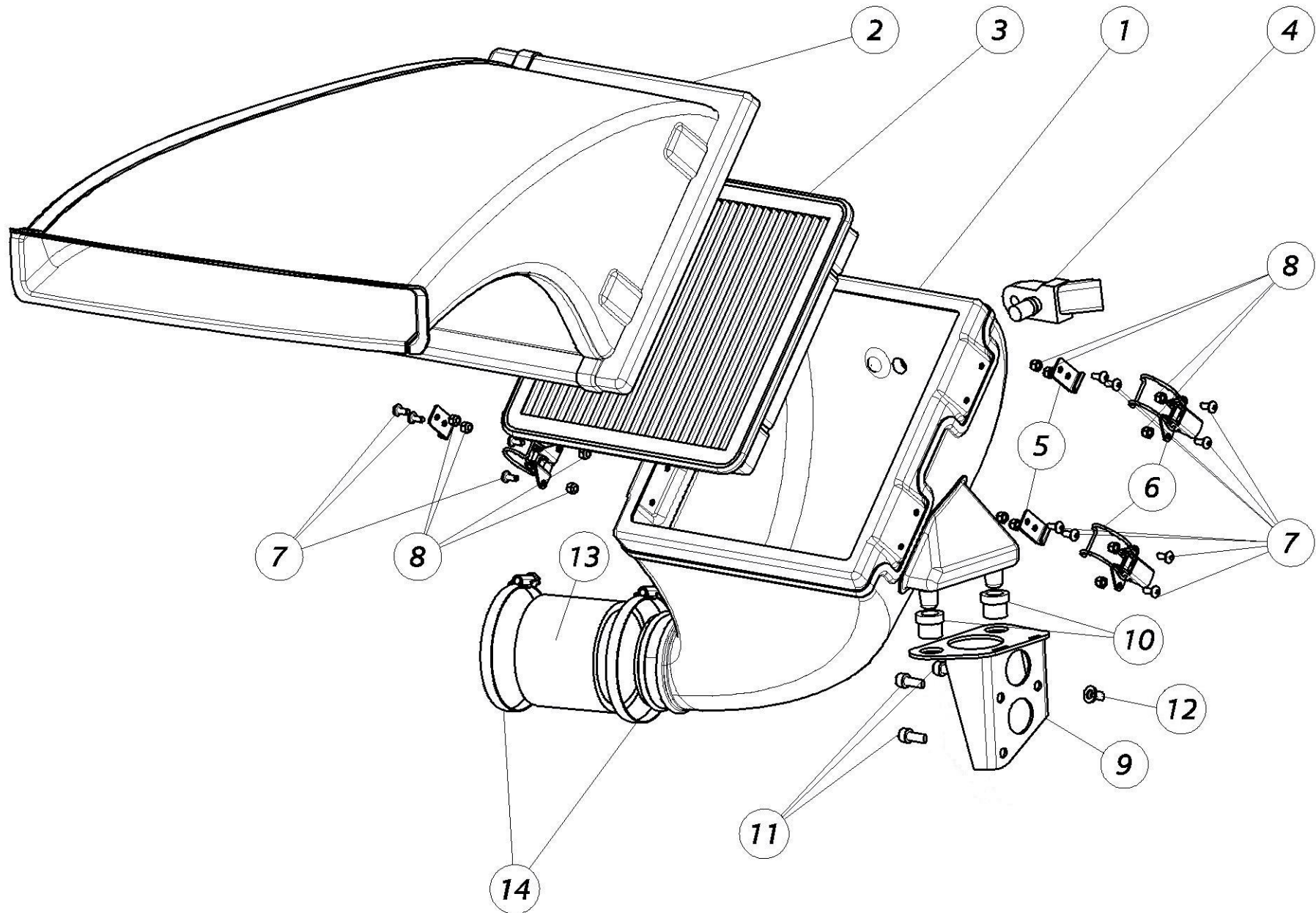
A21 – Répartiteur admission air – *Air intake manifold*



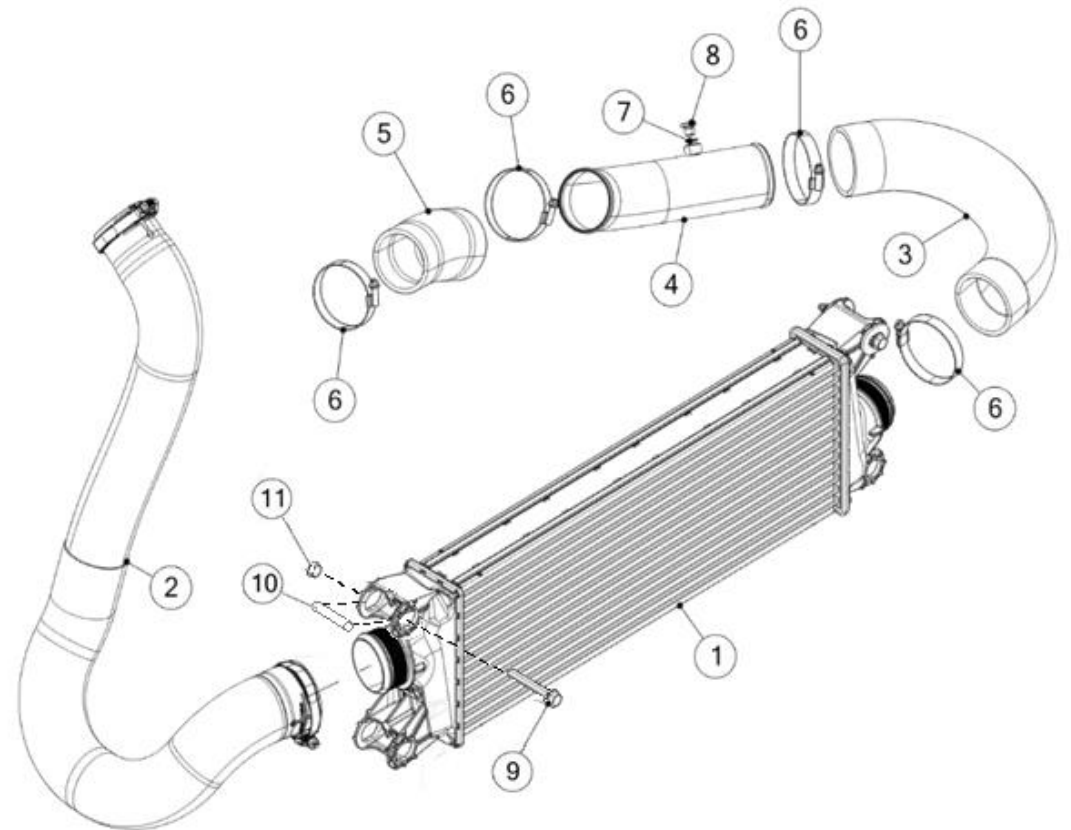
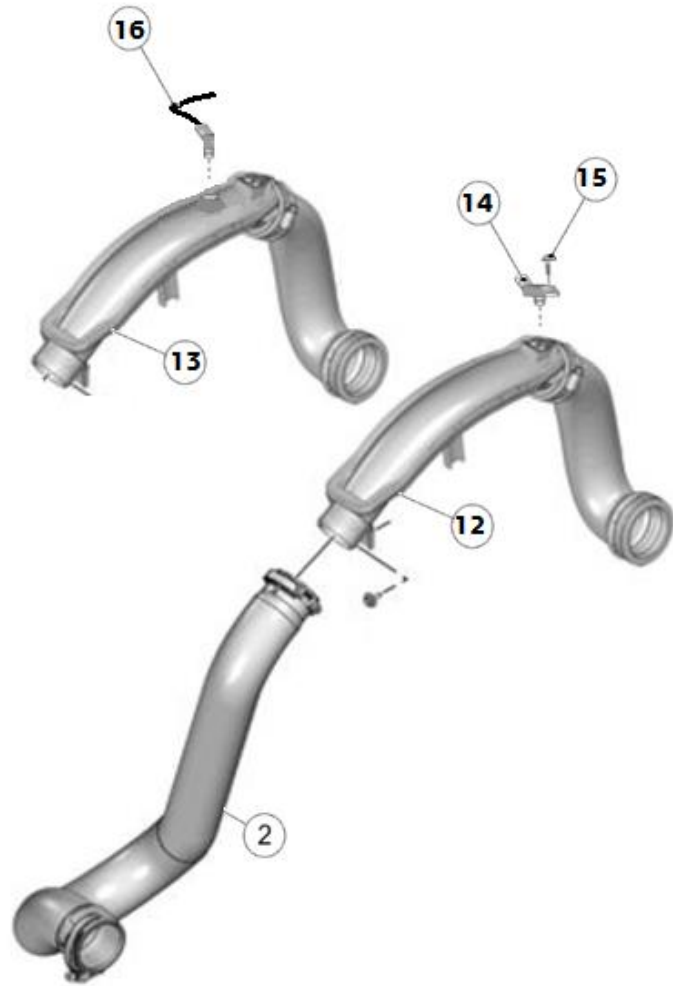
A23 – Injection – Injection



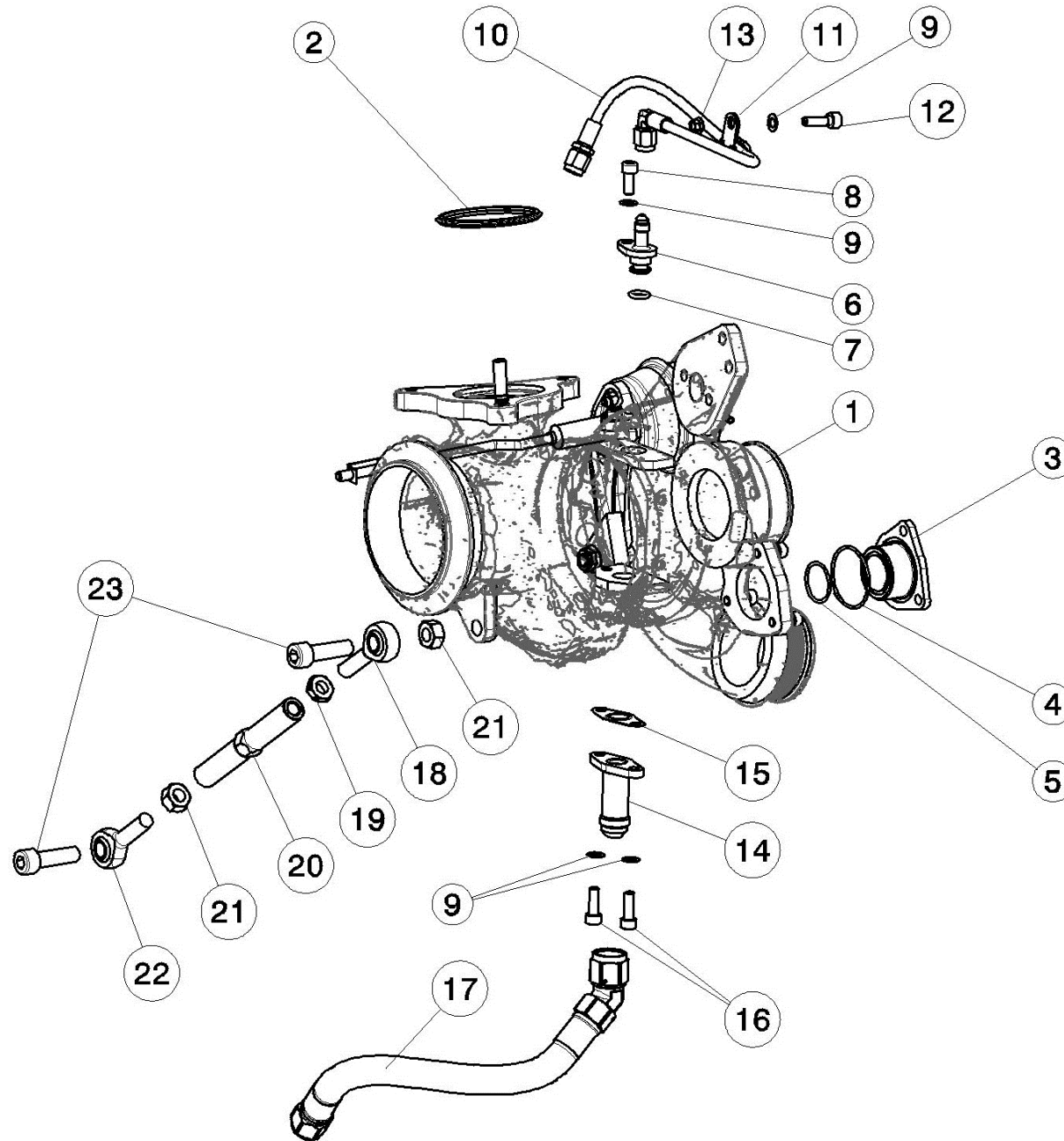
A26 – Admission Air – Air Intake



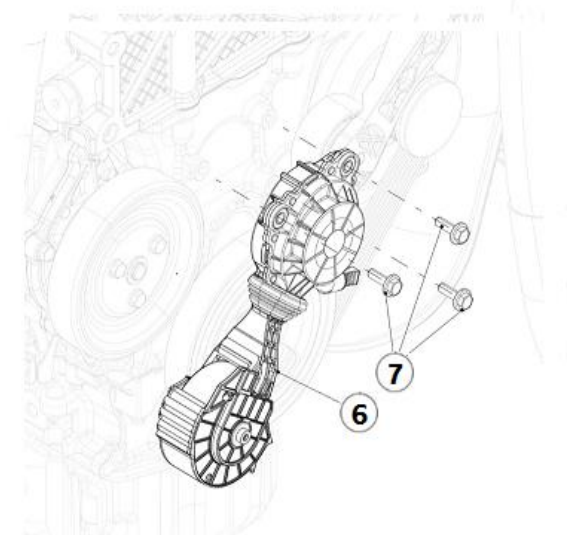
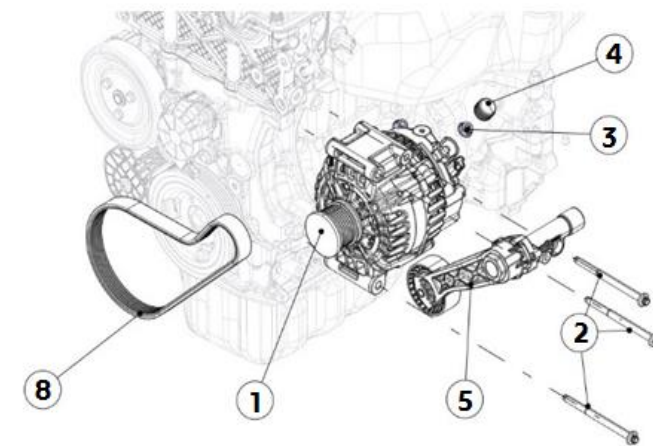
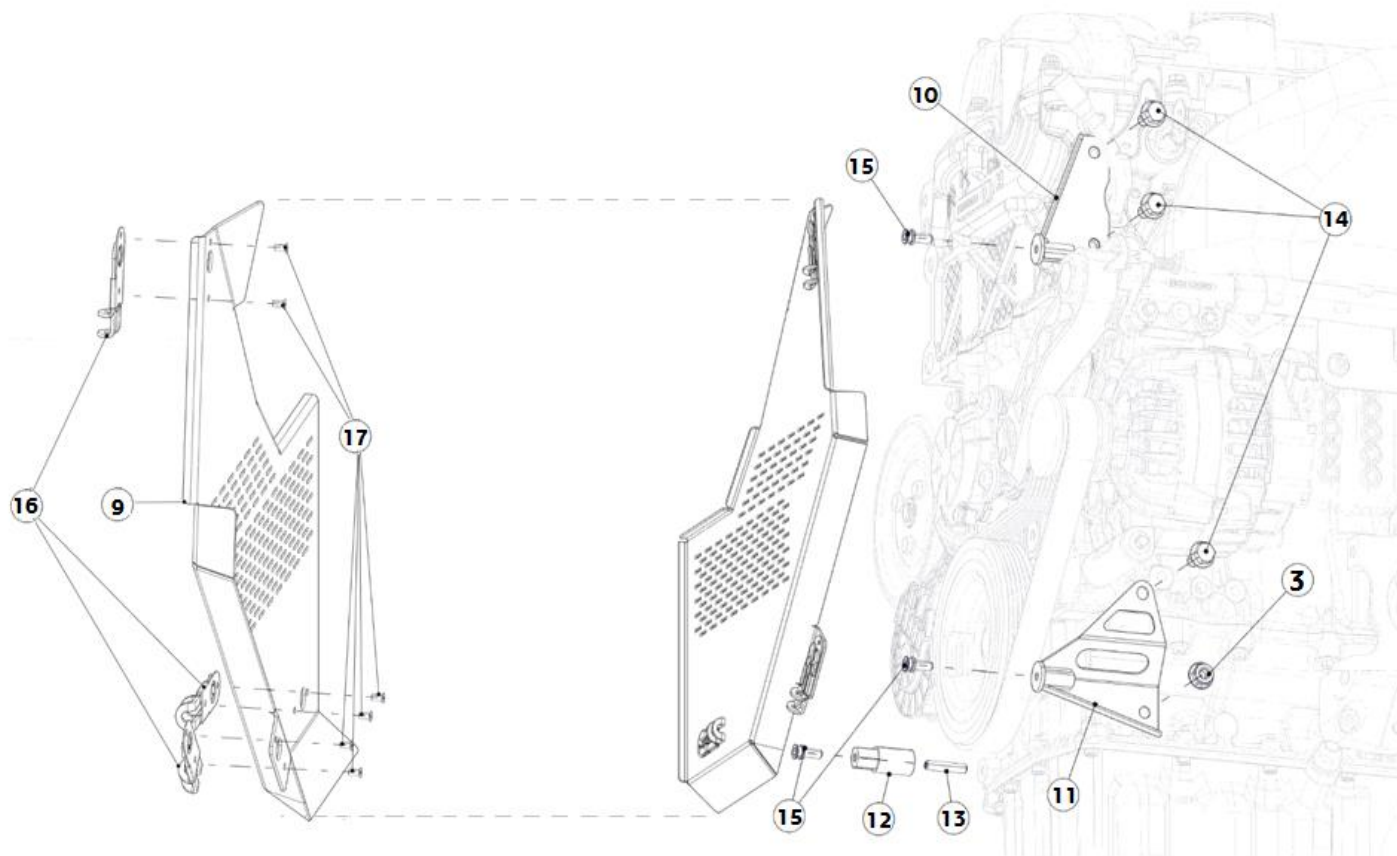
A27A – Suralimentation – Supercharging



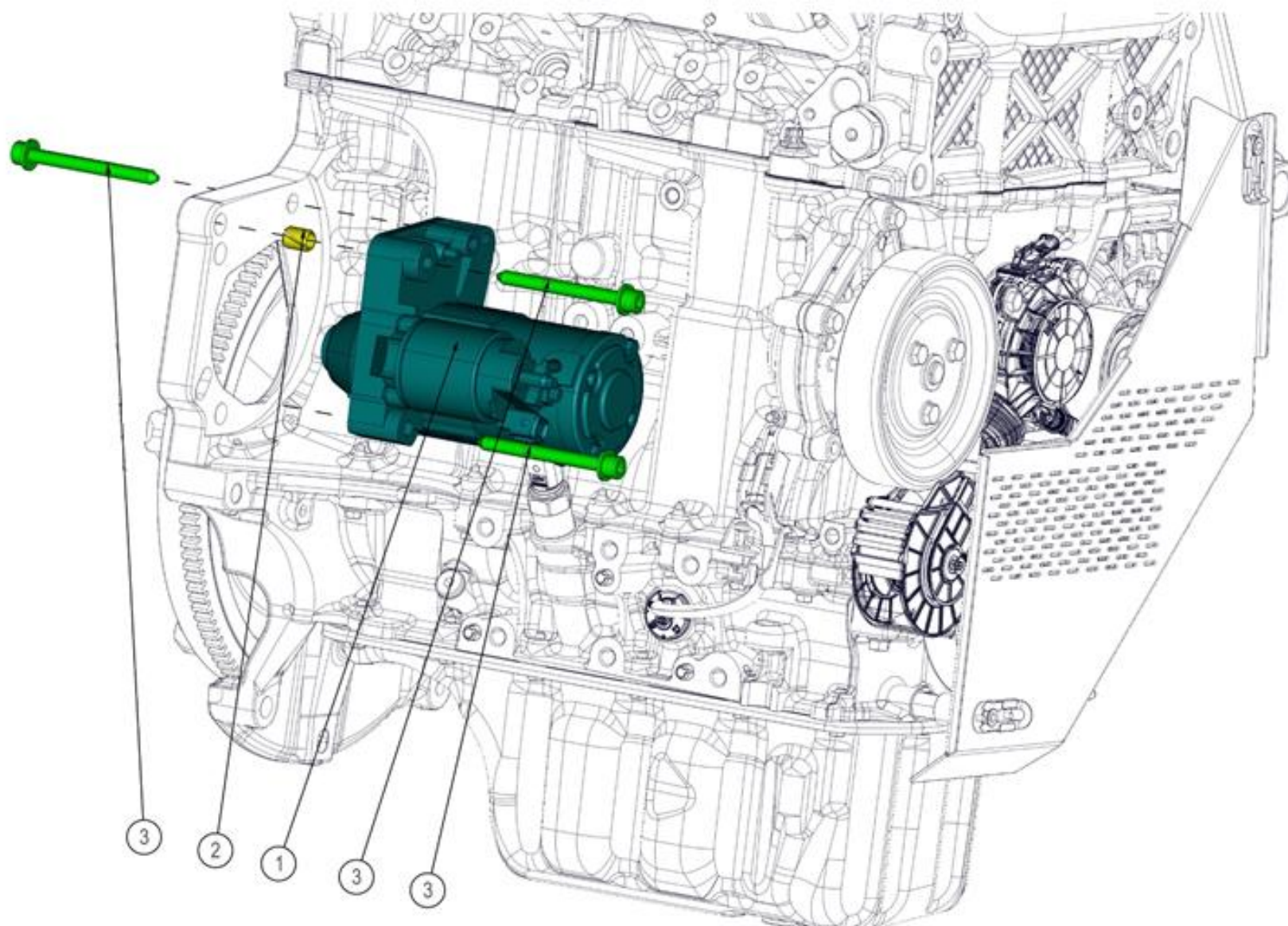
A27B – Turbo – Turbocharging



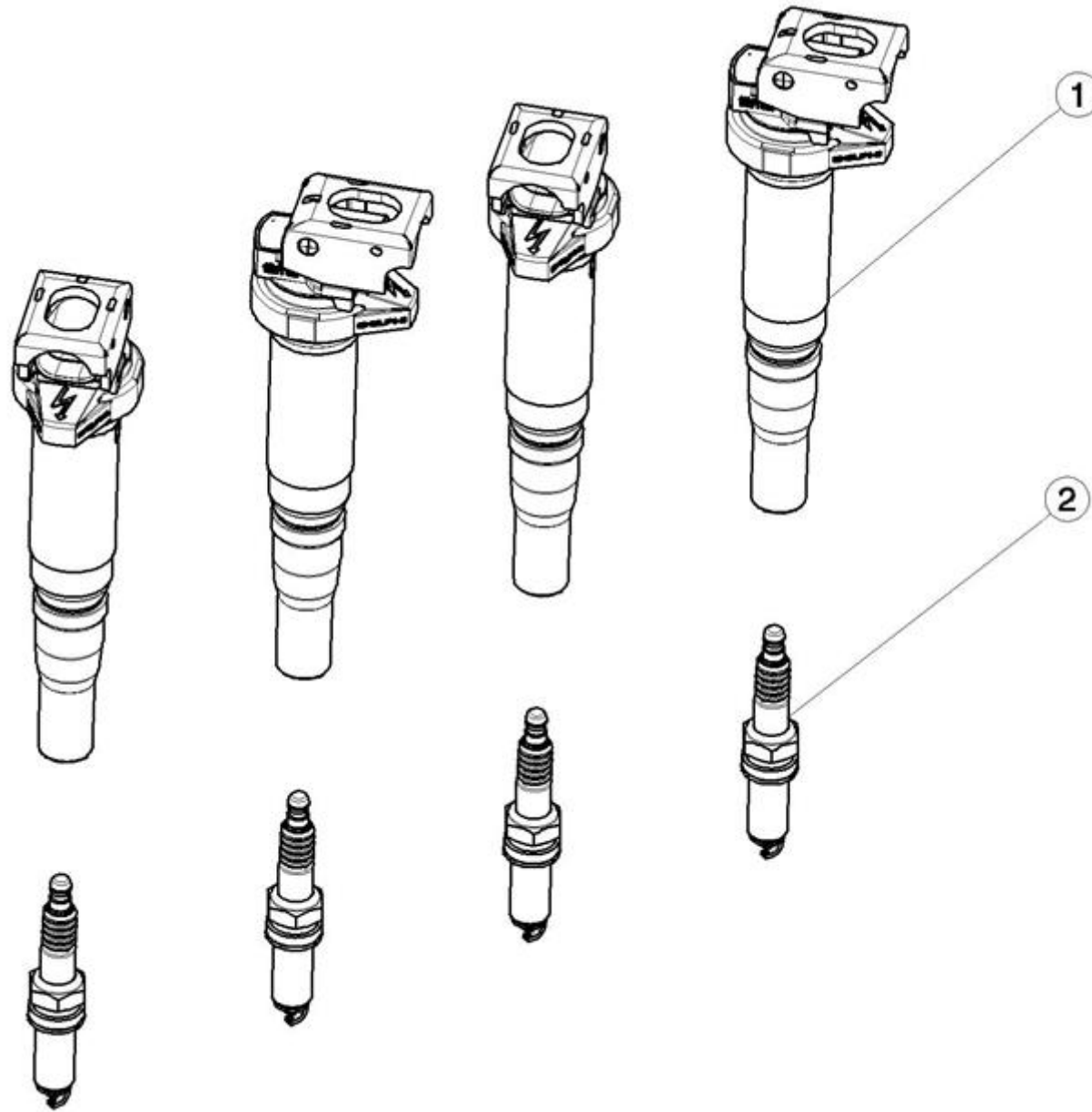
A31 – Alternateur – Alternator



A32 – Démarreur – *Starter Motor*



A33 – Allumage – Ignition



A36 - Boitier Pilotage Electronique - *Engine control devices*



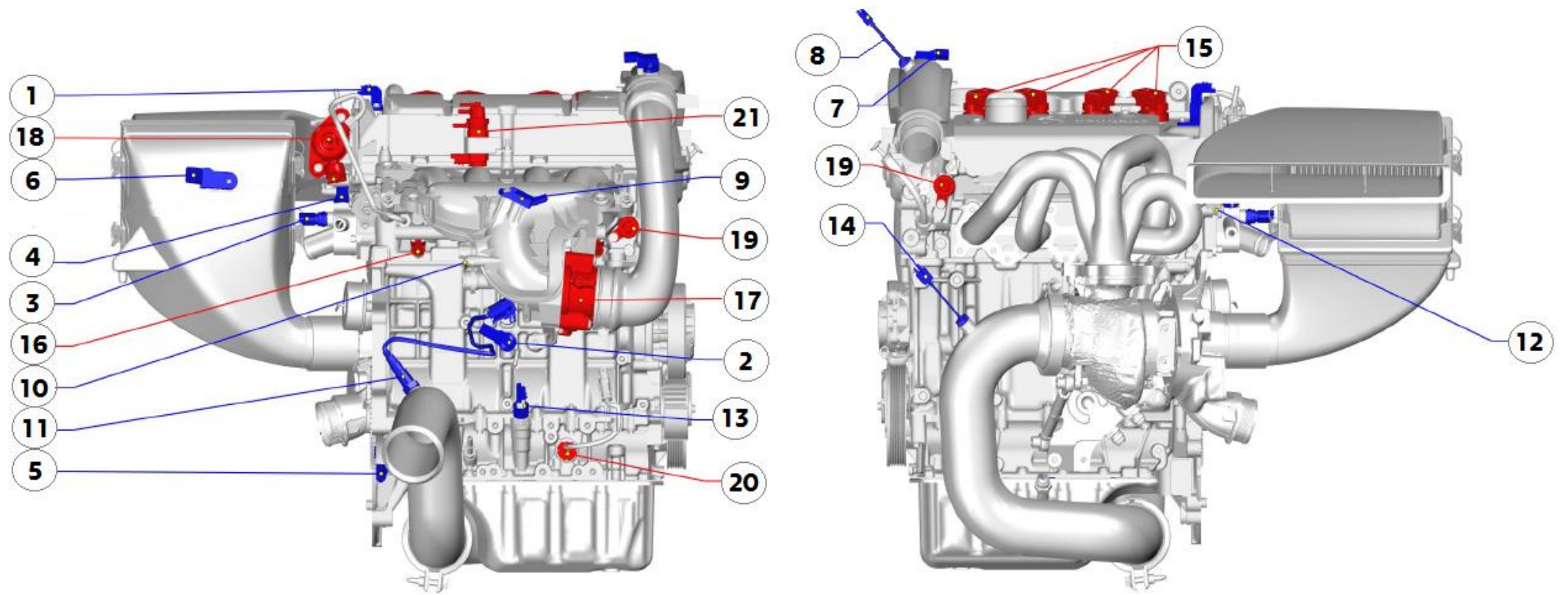
④ — Dongle Licence Wintax 4.61



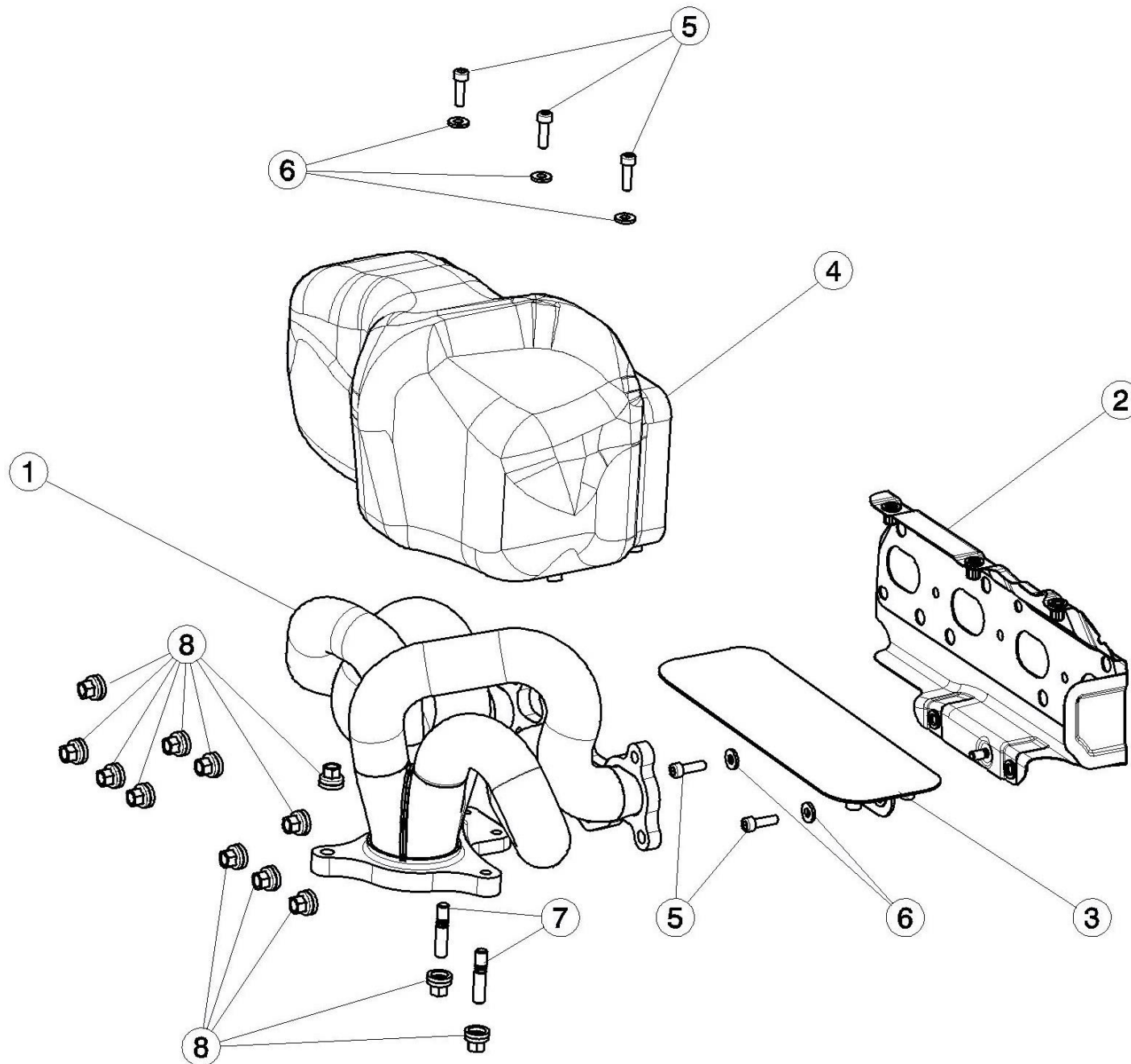
⑤ — Câble Ethernet



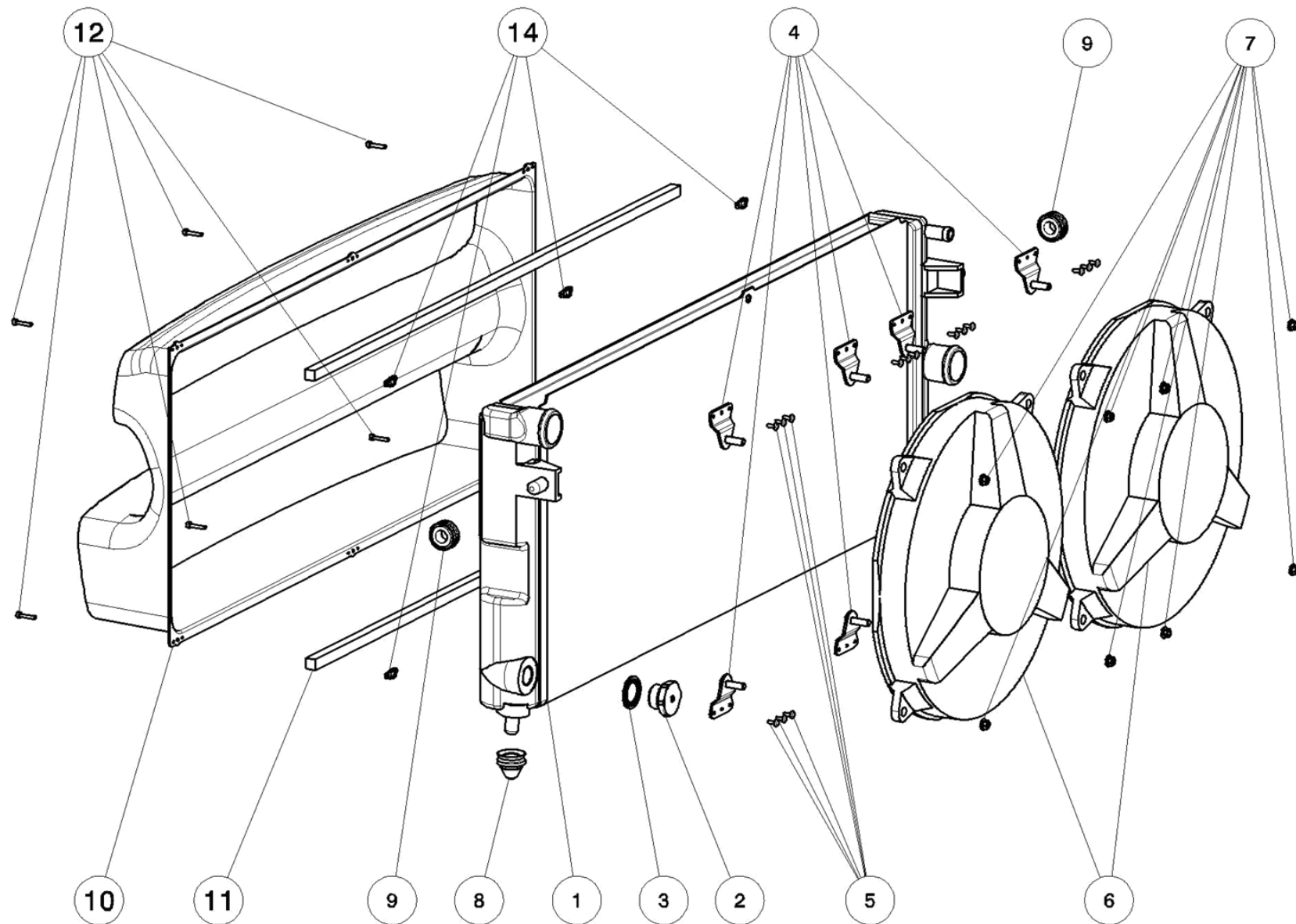
A37 – Capteurs & Actionneurs moteur – Engine sensors & Actuators



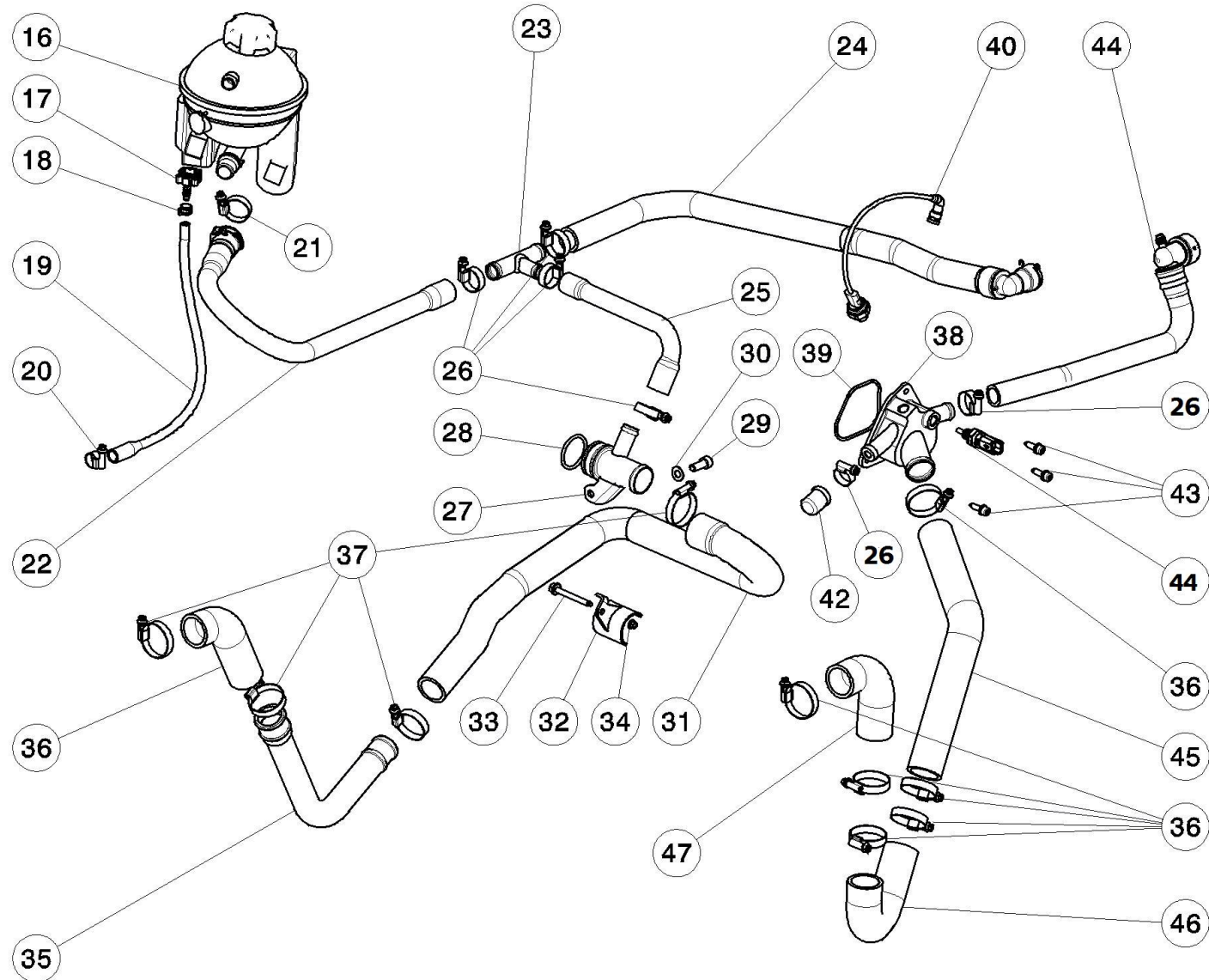
A41 – Collecteur d'échappement – *Exhaust manifold*



B12 – Refroidissement – *Cooling*



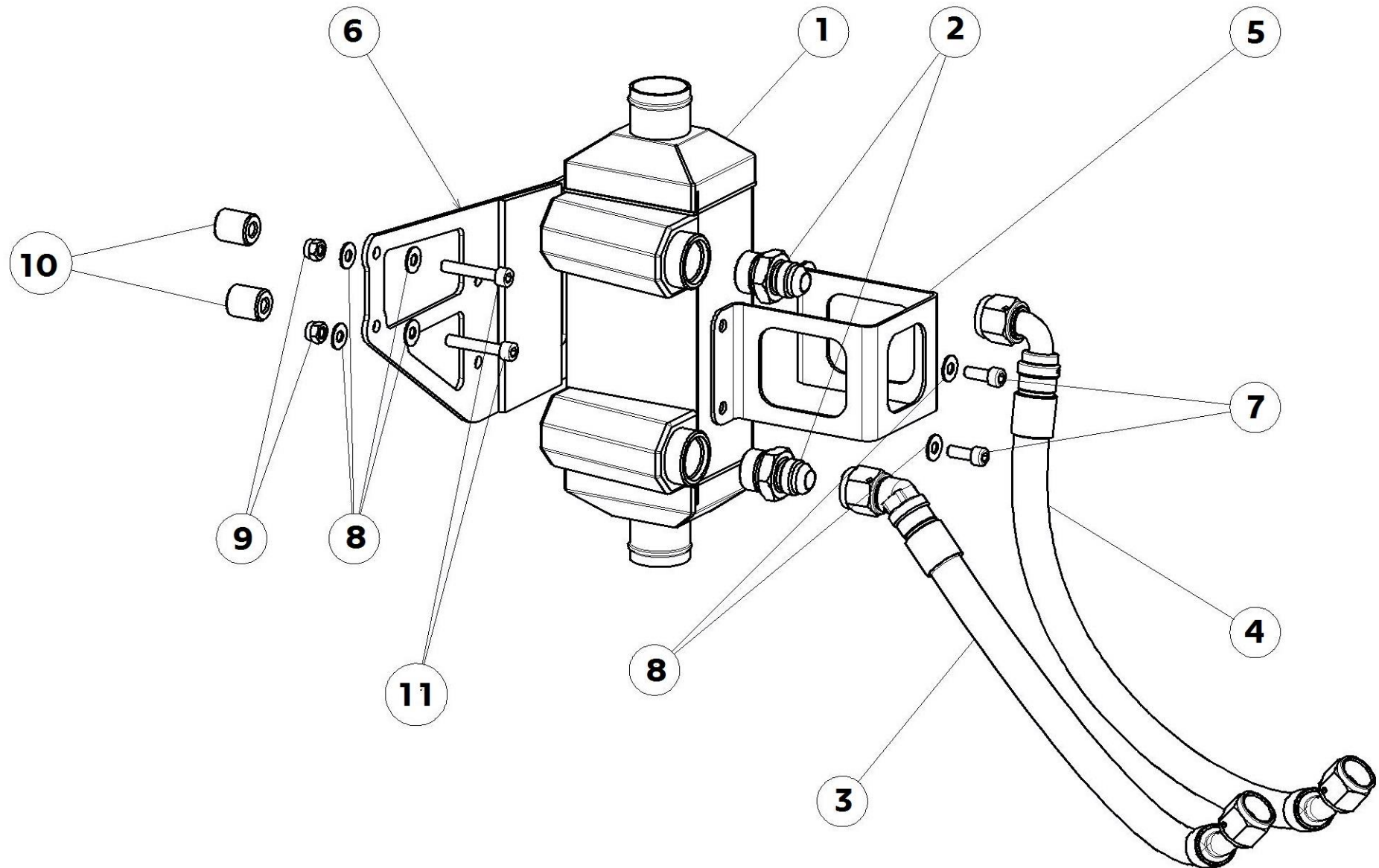
B12 – Refroidissement – *Cooling*



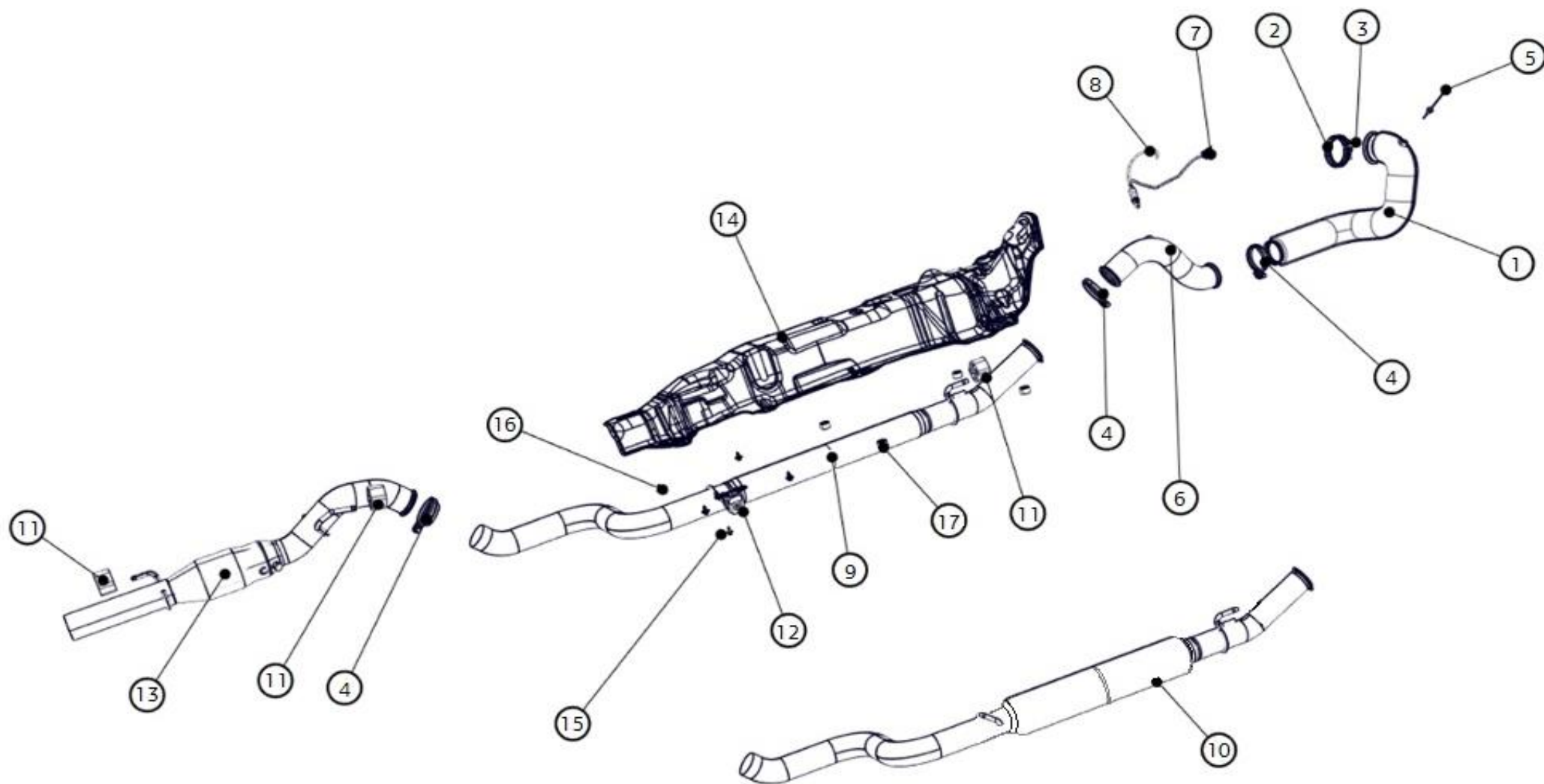
REP	REFERENCE	QTE	DESIGNATION
16	9678125880	1	VASE EXPANSION Coolant reservoir
17	ST04100054	1	RACCORD COUDE 90 FITTING ELBOW 90
18	PS91682A10	1	Collier Mubea D115 Mubea Collar D115
19	904604488A	1	TUYAU MISE A L'AIR VENTING PIPE
20	6981H6	1	Collier métal Ø11-19 L9 Metal Collar D11-19 Th9
21	6981H8	1	Collier métal Ø20-32 L9 Metal Collar D20-32 Th9
22	904452018B	1	Tuyau vase vers pompe Water reservoir - water pump hose
23	904447978A	1	RACCORD 3 VOIES 19-19-16 3way distributor 19-19-16
24	1341H7	1	Tuyau eau aérotherme Heater Water Outlet Hose
25	904448948A	1	TUYAU-DEGAZAGE-POMPE-EAU Water pump return hose
26	6981-H7	6	Collier métal Ø16-27 L9 Metal Collar D16-27 Th9
27	OB1264015C	1	Tuyau entrée pompe eau Water Pump Inlet Pipe
28	1319N4	1	Joint torique Ø35x3,35 O-Ring Ø35x3,35
29	4228-22	1	Vis CHC M8x20 Socket Screw M8-20
30	696213	1	ROND ELAST STD 8X17-0,8 Elastic Washer 8x17-0,8
31	904606398B	1	TUYAU PPE RADIA WP Radiator Hose
32	OB1264141B	1	Patte fix durite pompe eau WP Radiator Hose Mounting Bracket

REP	REFERENCE	QTE	DESIGNATION
33	6925N9	1	Vis à embase STD M6x55 Collar Screw M6x55
34	PS74006A10	1	ECROU A EMBASE 6X100 Collar Nut M6x100
35	904606178A	1	TUBE PPE RADIA ASS WP Radiator Hose Assembly
36	ST04800008	1	DURITE SILIC COUDE 60 D32 SILICONE ELBOW 60 D32
37	1609056580	10	Collier métal 32-50 Metal Collar D32-50
38	904405688A	1	Boitier sortie d'eau Water Outlet Manifold
39	OB1264032A	1	Joint torique boitier sortie d'eau Water Outlet Manifold O-Ring
40	904477608B	1	Capteur pression eau câblé Wired Water Pressure Sensor
41	9636777180	1	CAPTEUR TEMPER Temperature Sensor
42	1355-04	1	Bouchon Ø17x25 long 33 Cao Ø17x25 long 33
43	6913J1	3	Vis CHC RDL M6x20 Socket Screw M6-20
44	904445088A	1	TUYAU EAU CHAUFF-BSE Heater Water Inlet Hose
45	ST04800011	1	DURITE SILIC COUDE 45 D32 SILICONE ELBOW 45 D32
46	ST04800010	1	DURITE SILIC COUDE 135 D32 SILICONE ELBOW 135 D32
47	ST04800007	1	DURITE SILIC COUDE 90 D32 SILICONE ELBOW 90 D32
48	1637756380	1	LIQ REF BID 2L PAE -35°C PSA Coolant 5L PAE -35°C PSA
49	1637756480	1	LIQ REF BID 5L PAE -35°C PSA Coolant 2L PAE -35°C PSA

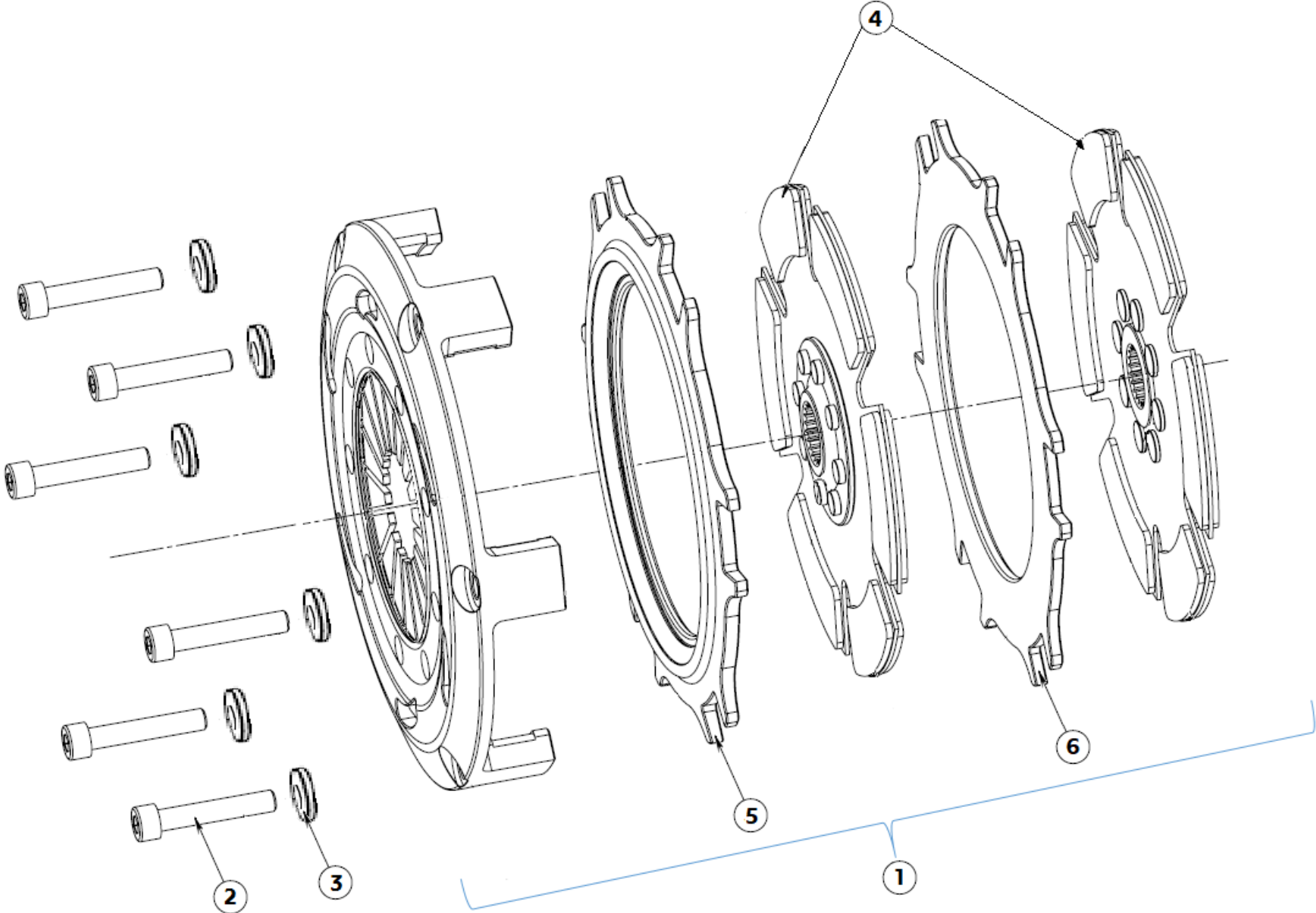
B13 – Lubrification – *Lubrication*



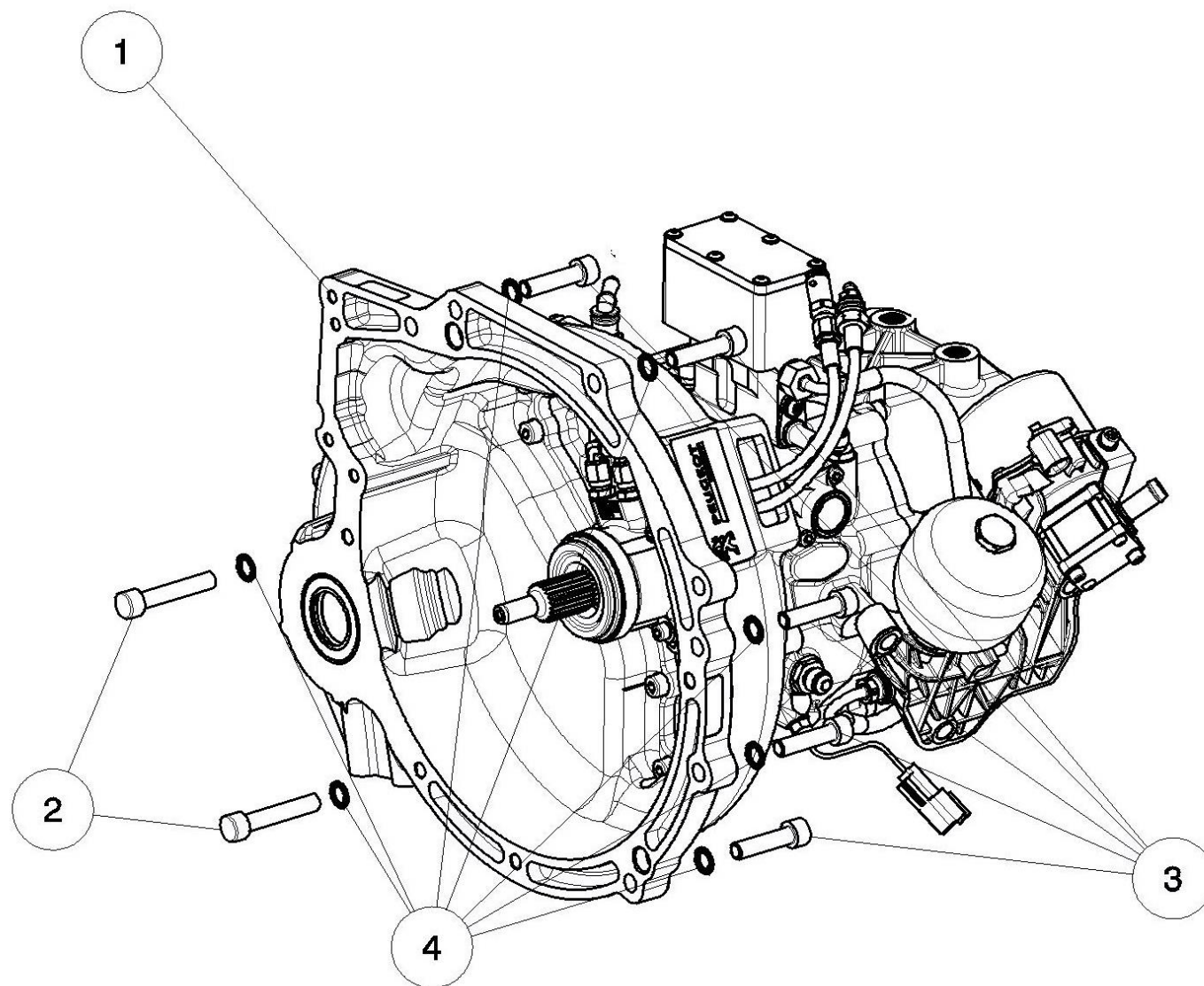
B21 – Ligne d'Echappement - *Exhaust line*



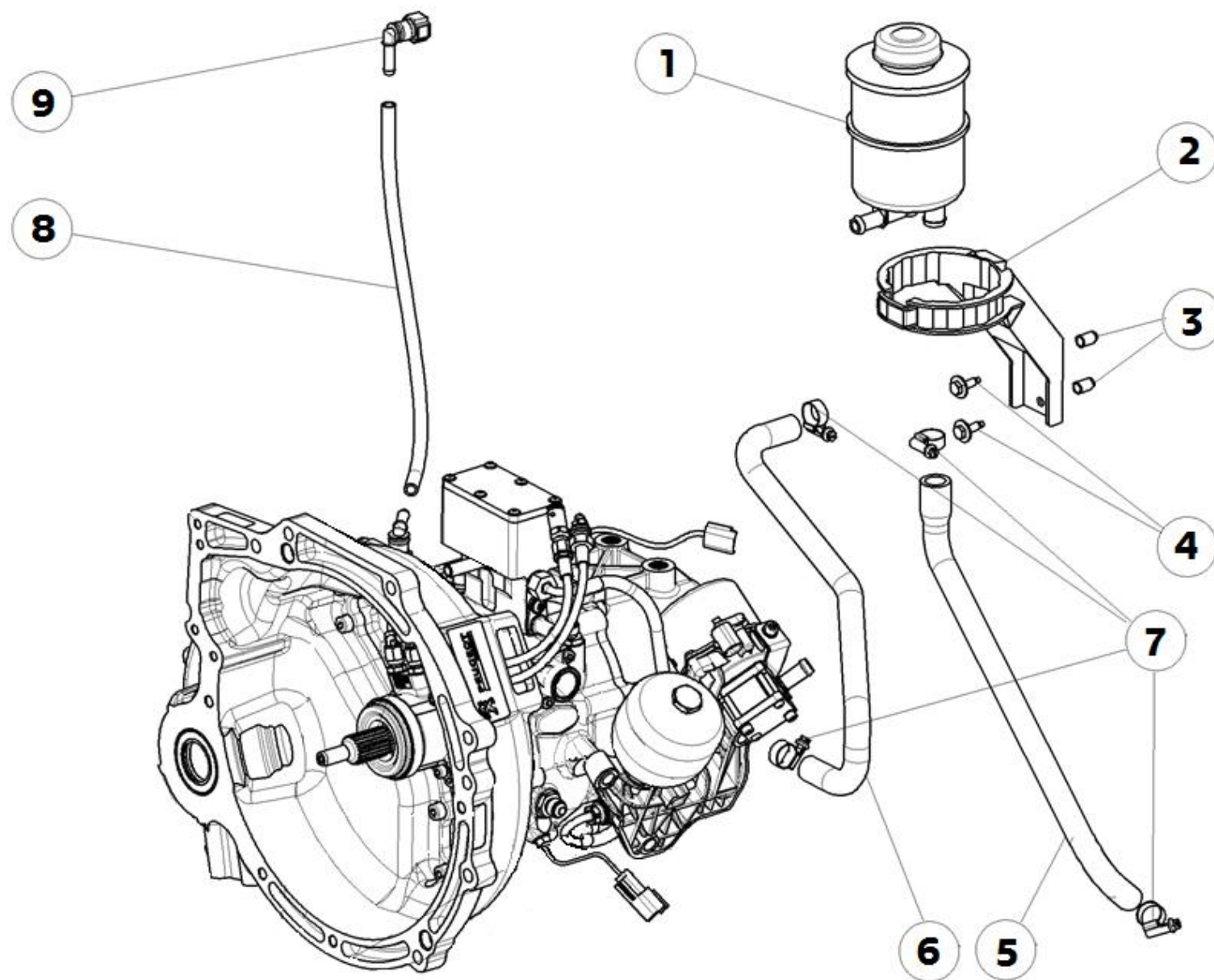
C11 – Embrayage – Clutch



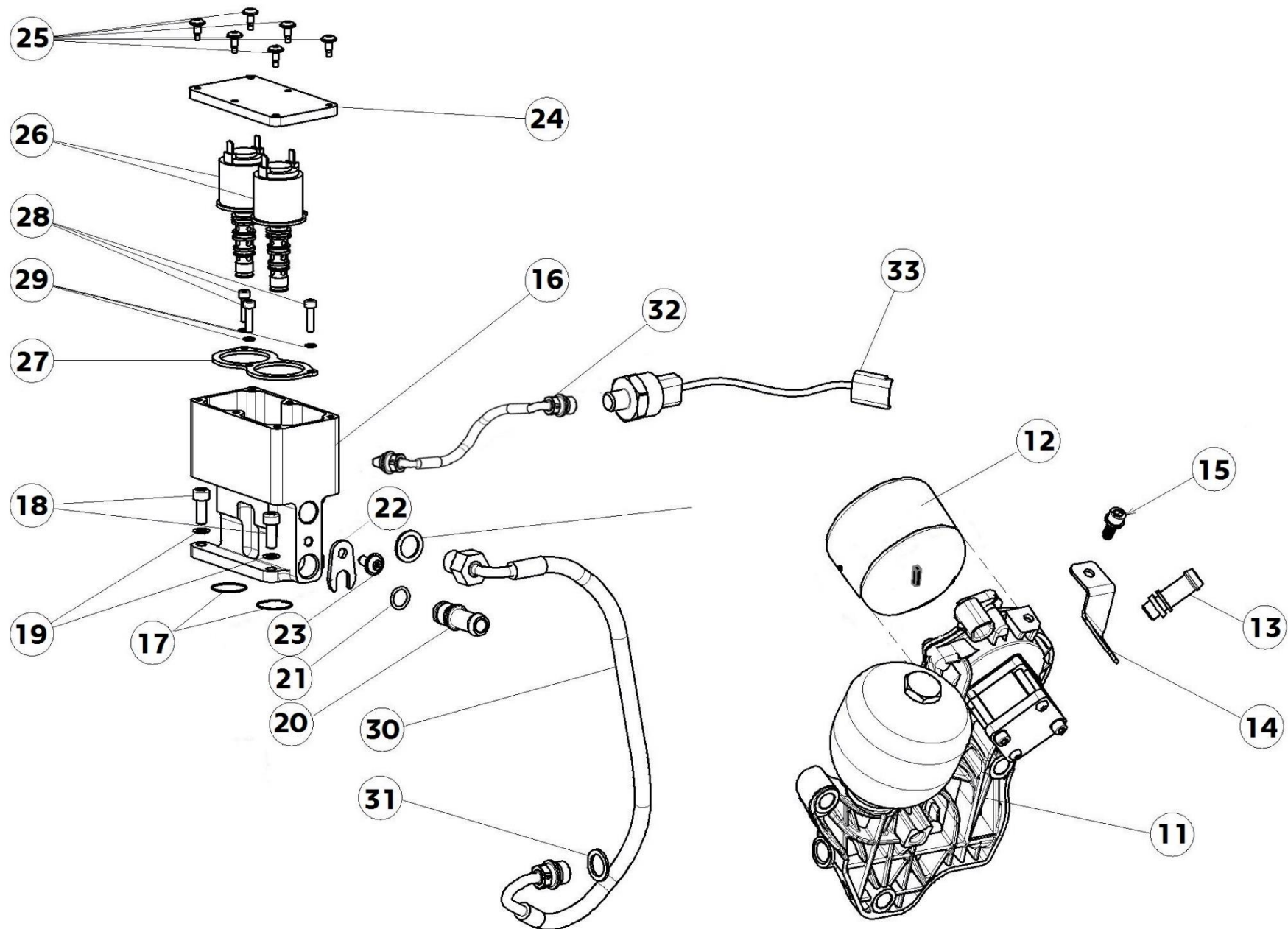
C23 – Boite de Vitesses – Gearbox



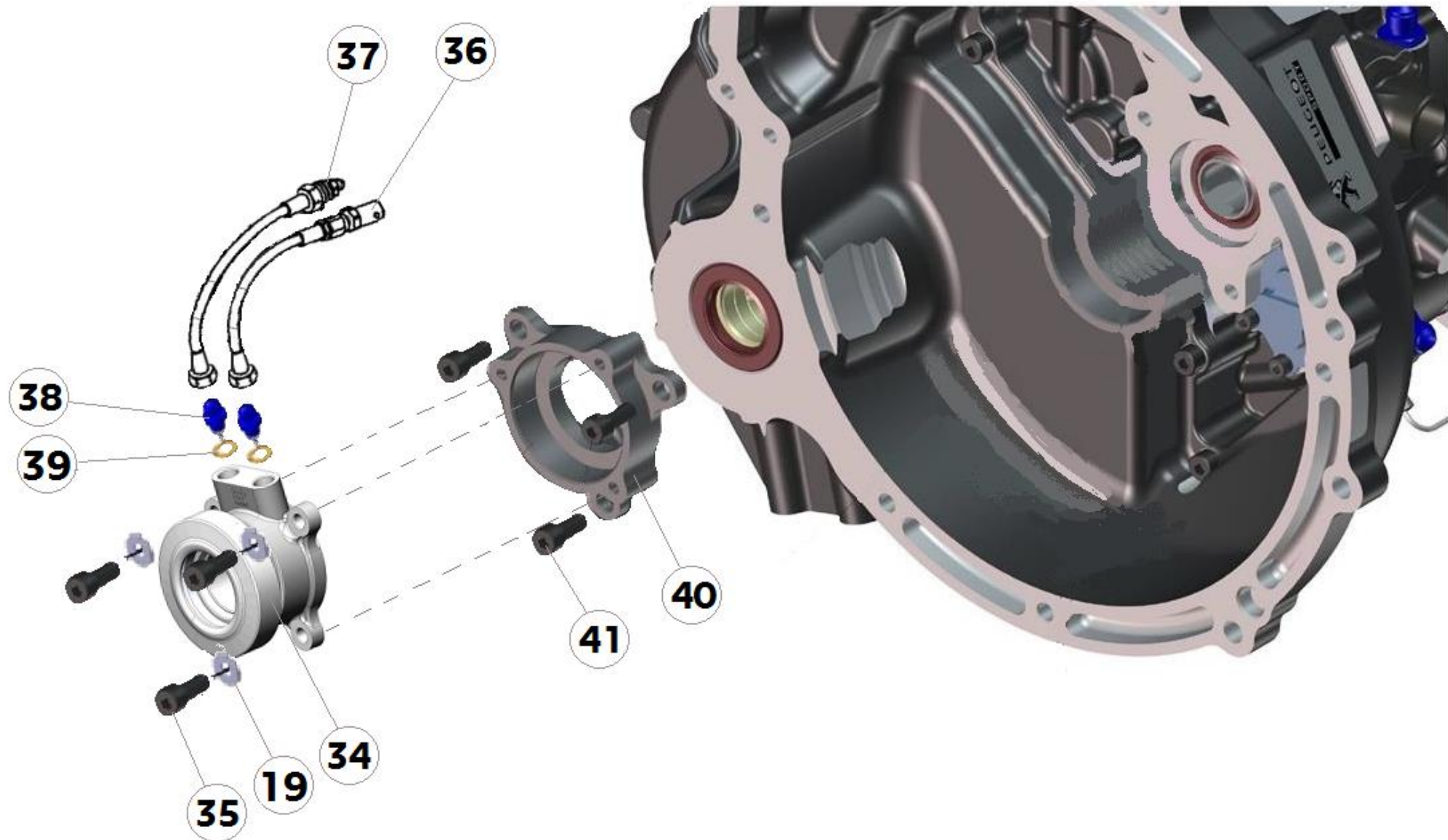
C29 – Equipement BV - Gearbox components



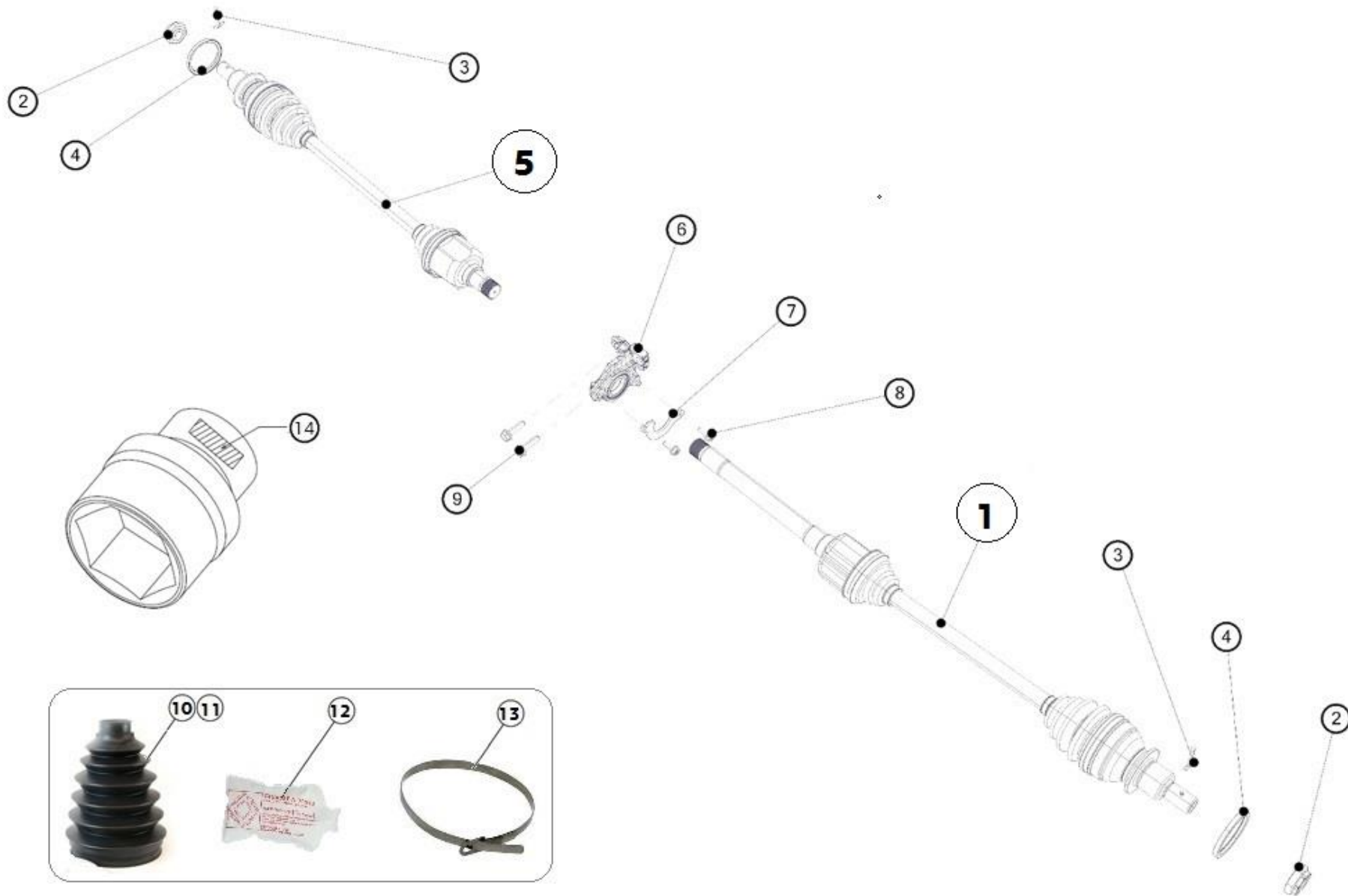
C29 – Equipement BV - Gearbox components



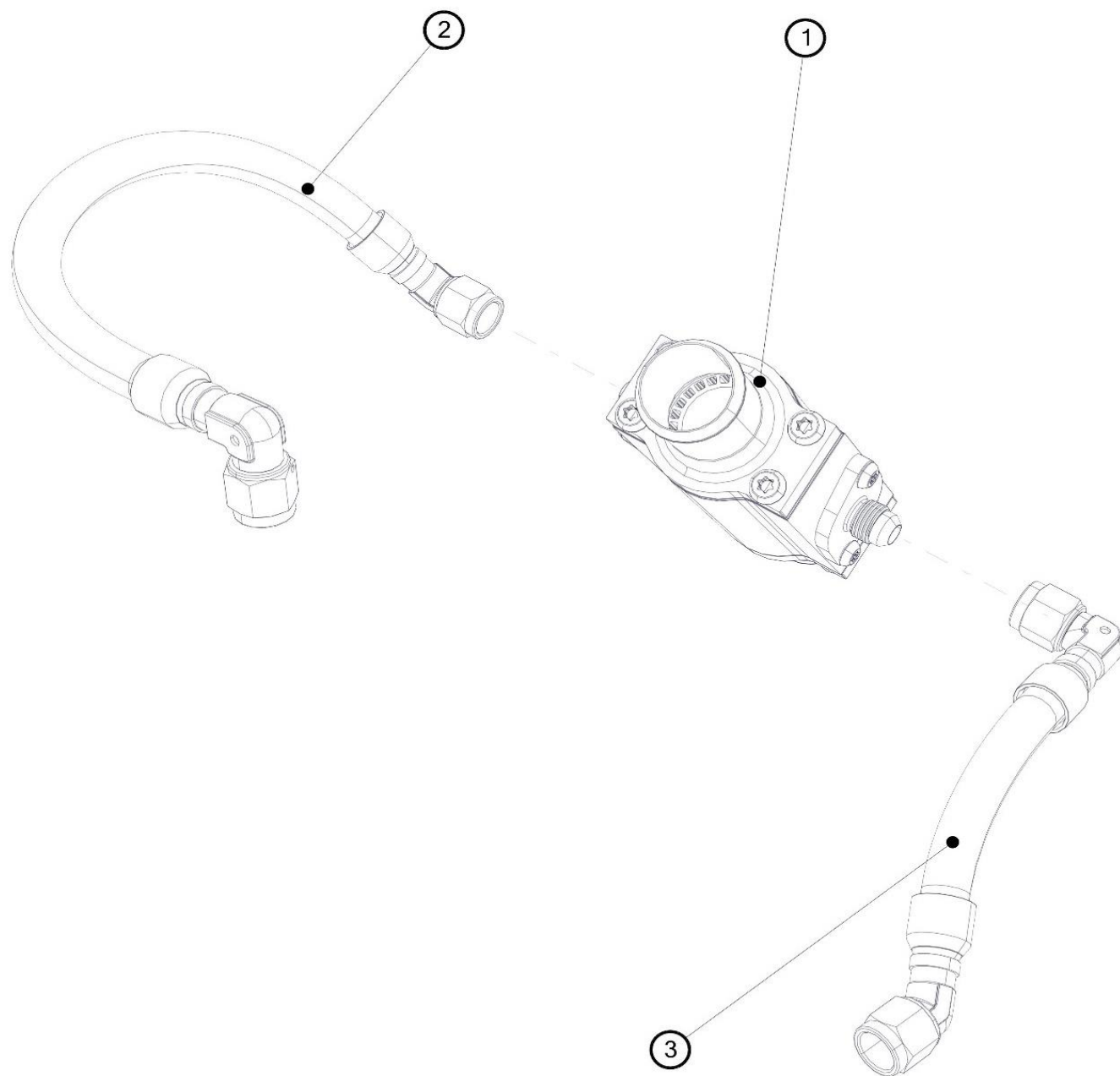
C29 – Equipement BV - Gearbox components



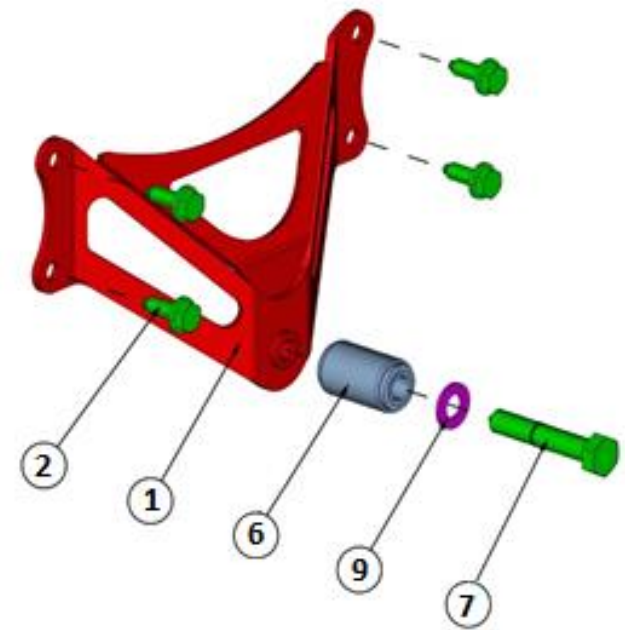
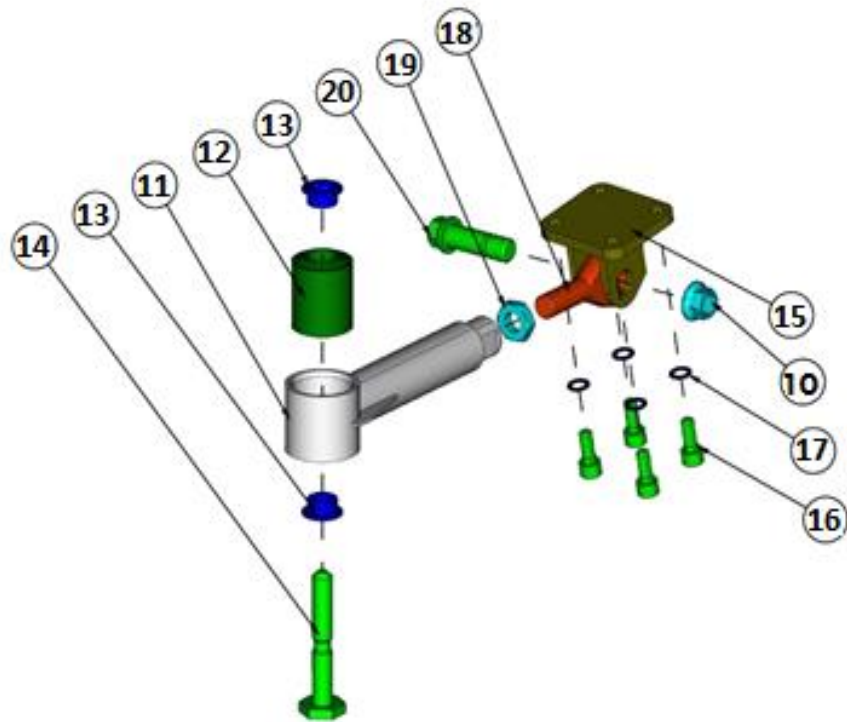
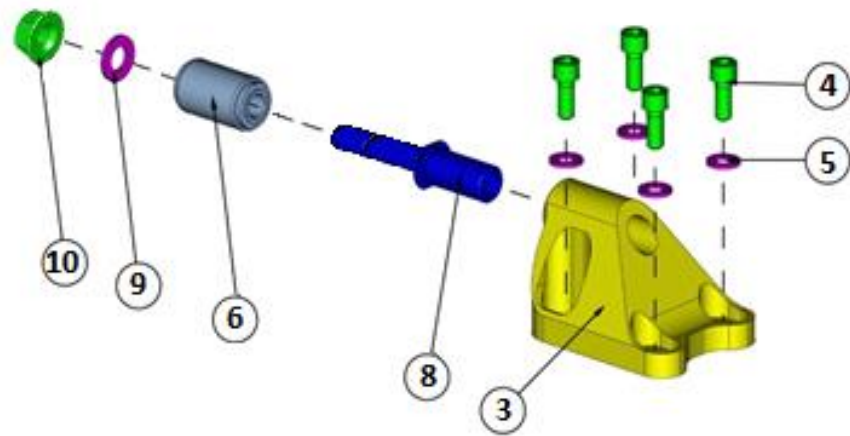
C71 – Transmission – Driveshaft



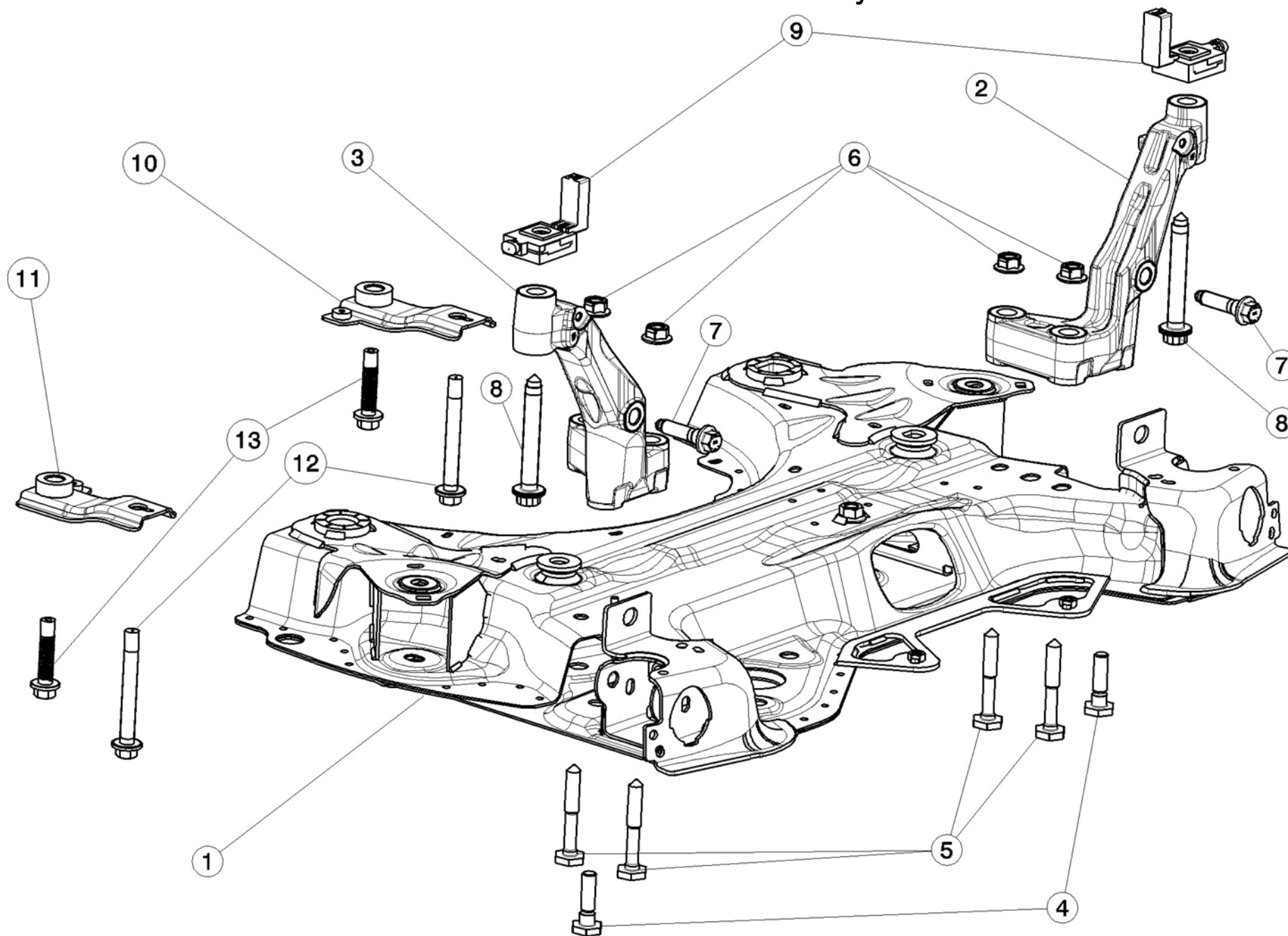
C80 – Refroidissement BV - *Gearbox cooling*



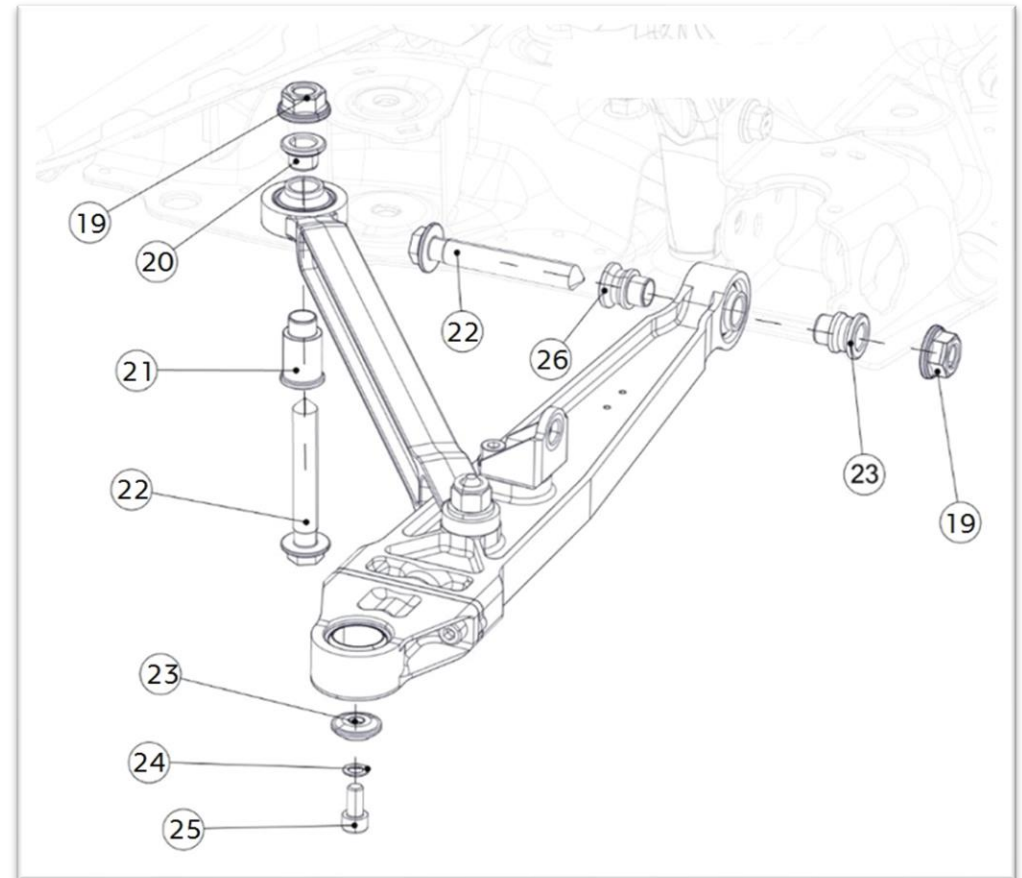
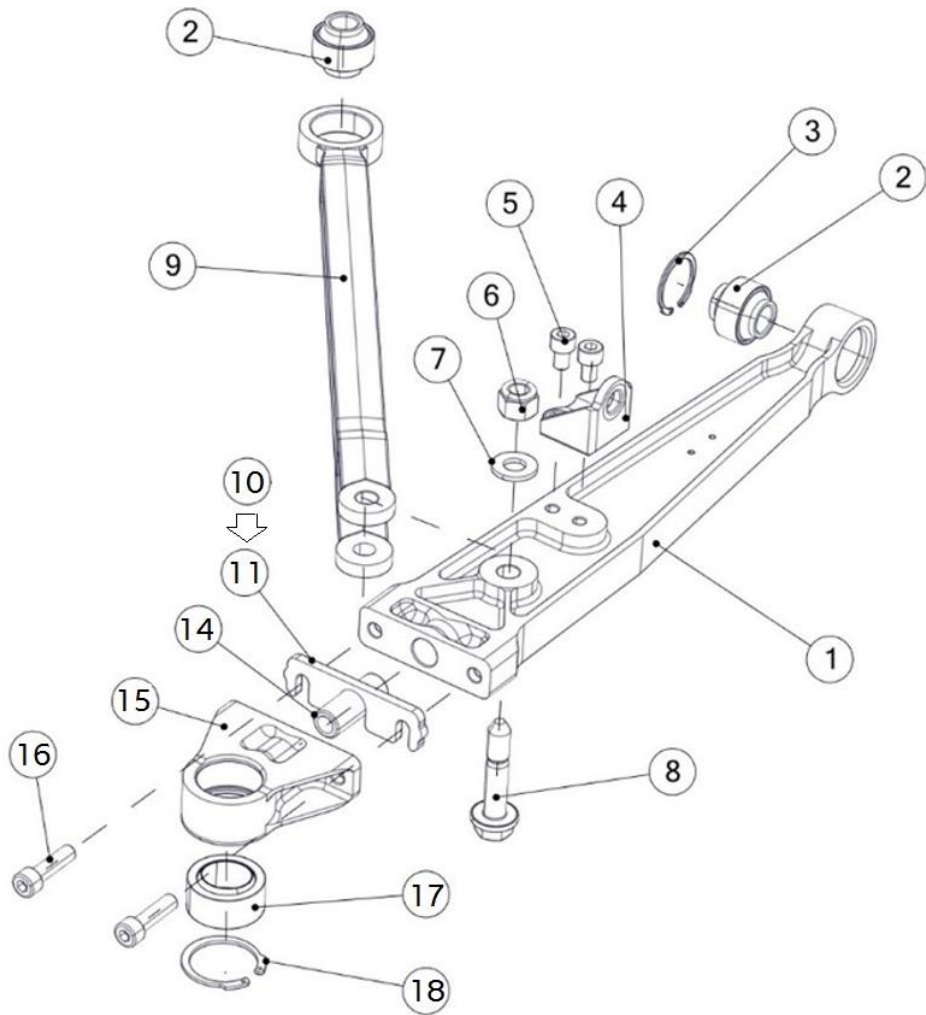
D11 – Supports Moteur – *Engine Mounts*



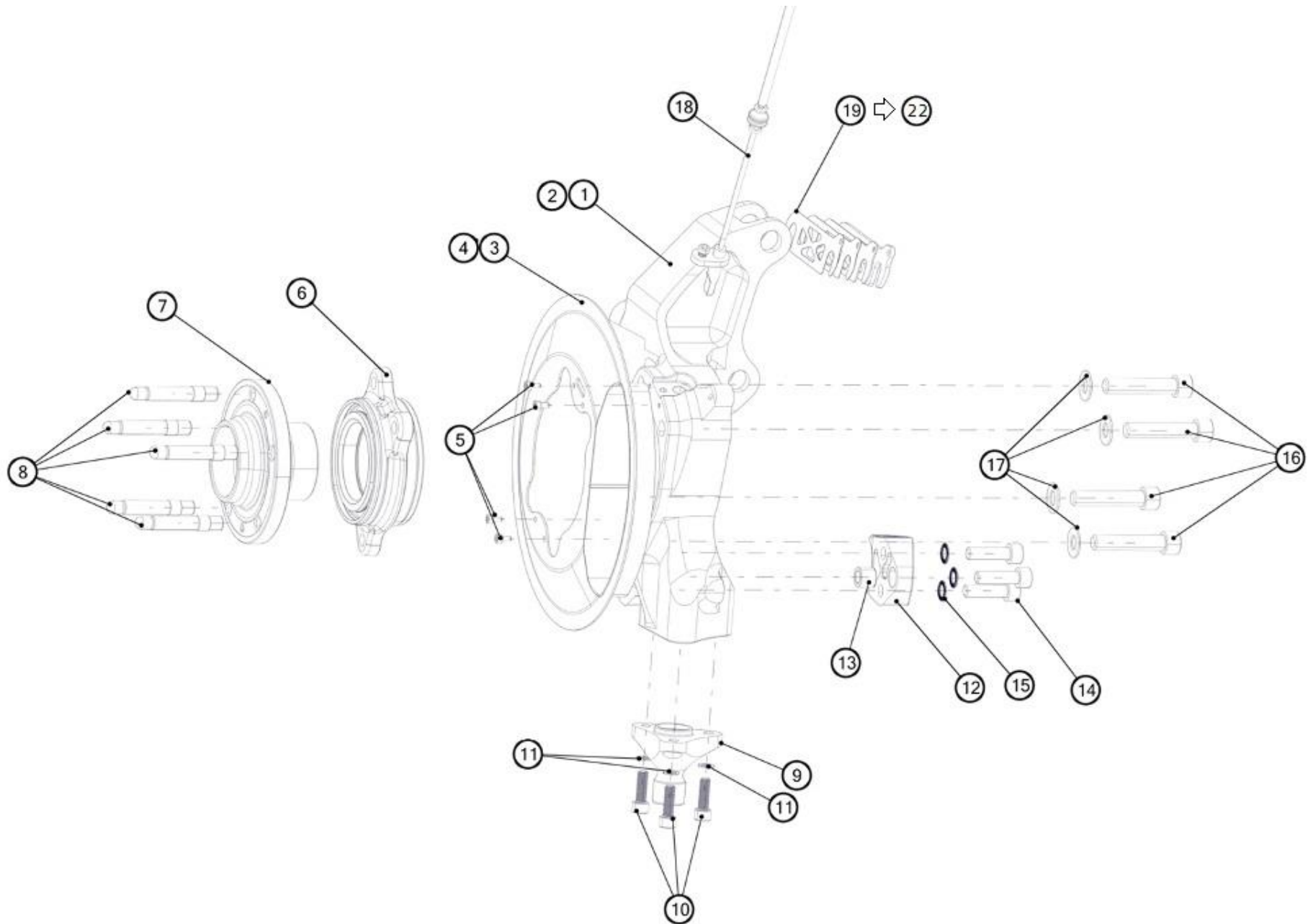
E11 – Berceau avant – *Front subframe*



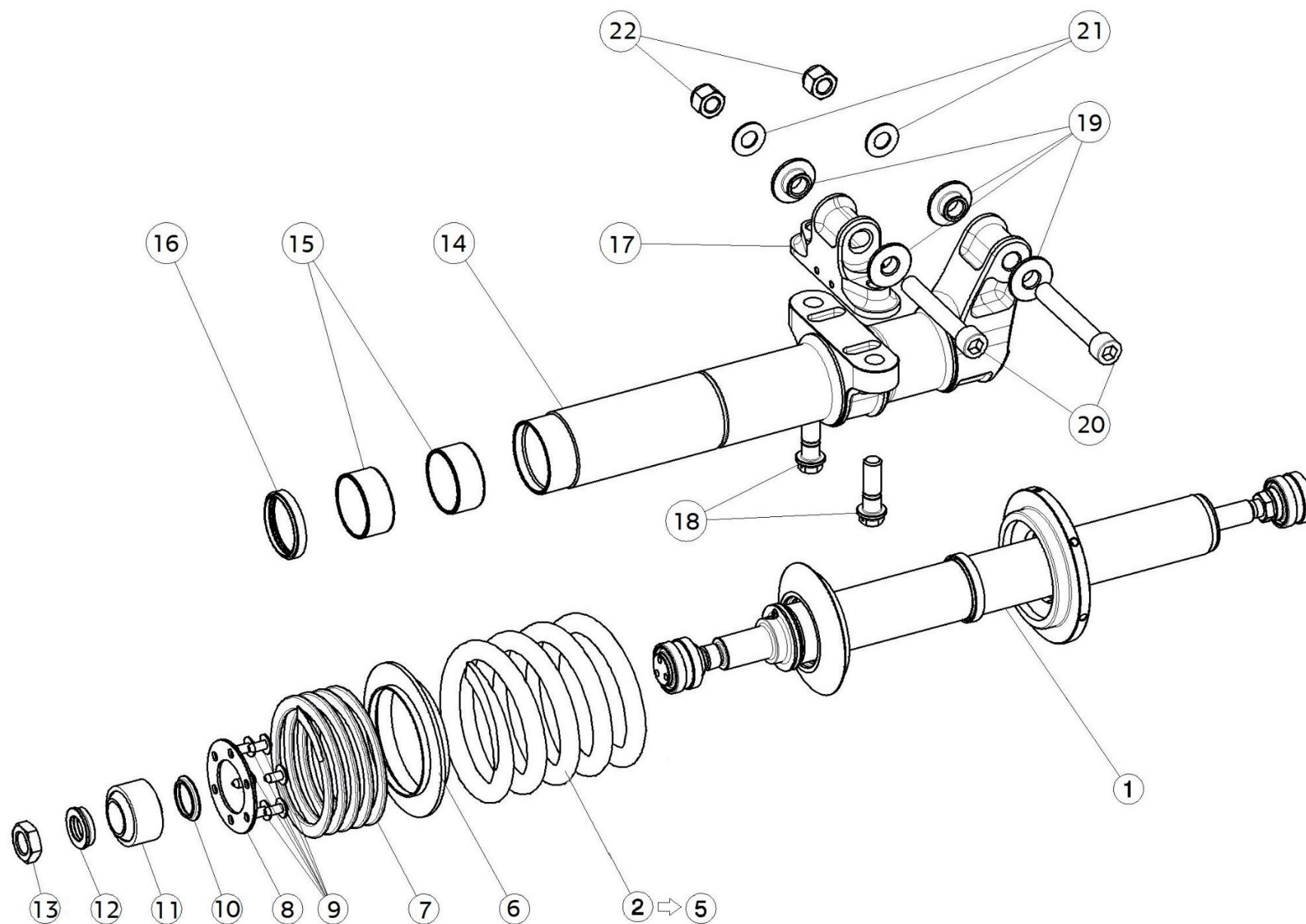
E12 – Triangle AV – Front Wishbone



E13 – Pivots Avant – *Front Upright*

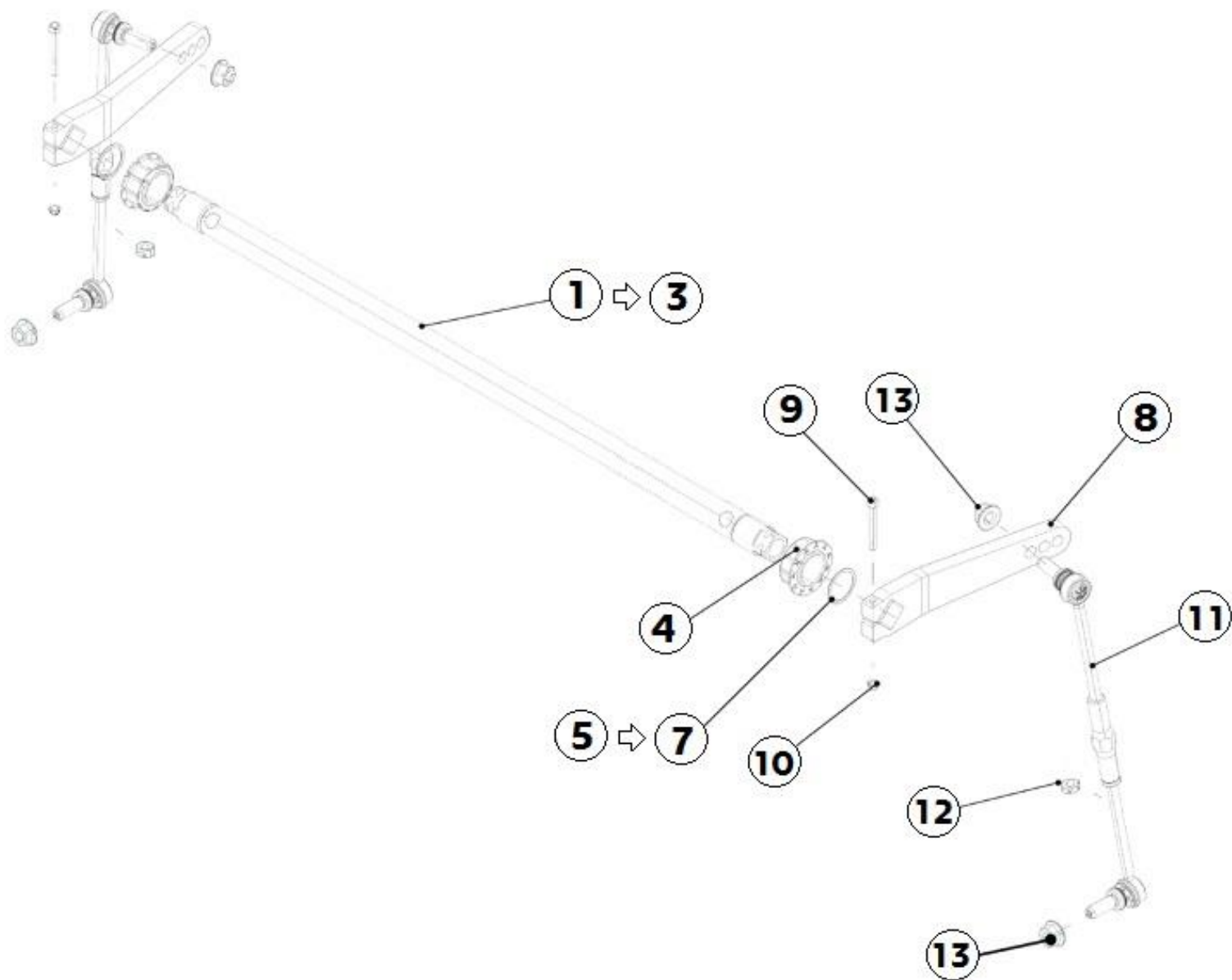


E14A – Suspension Avant – *Front Suspension*

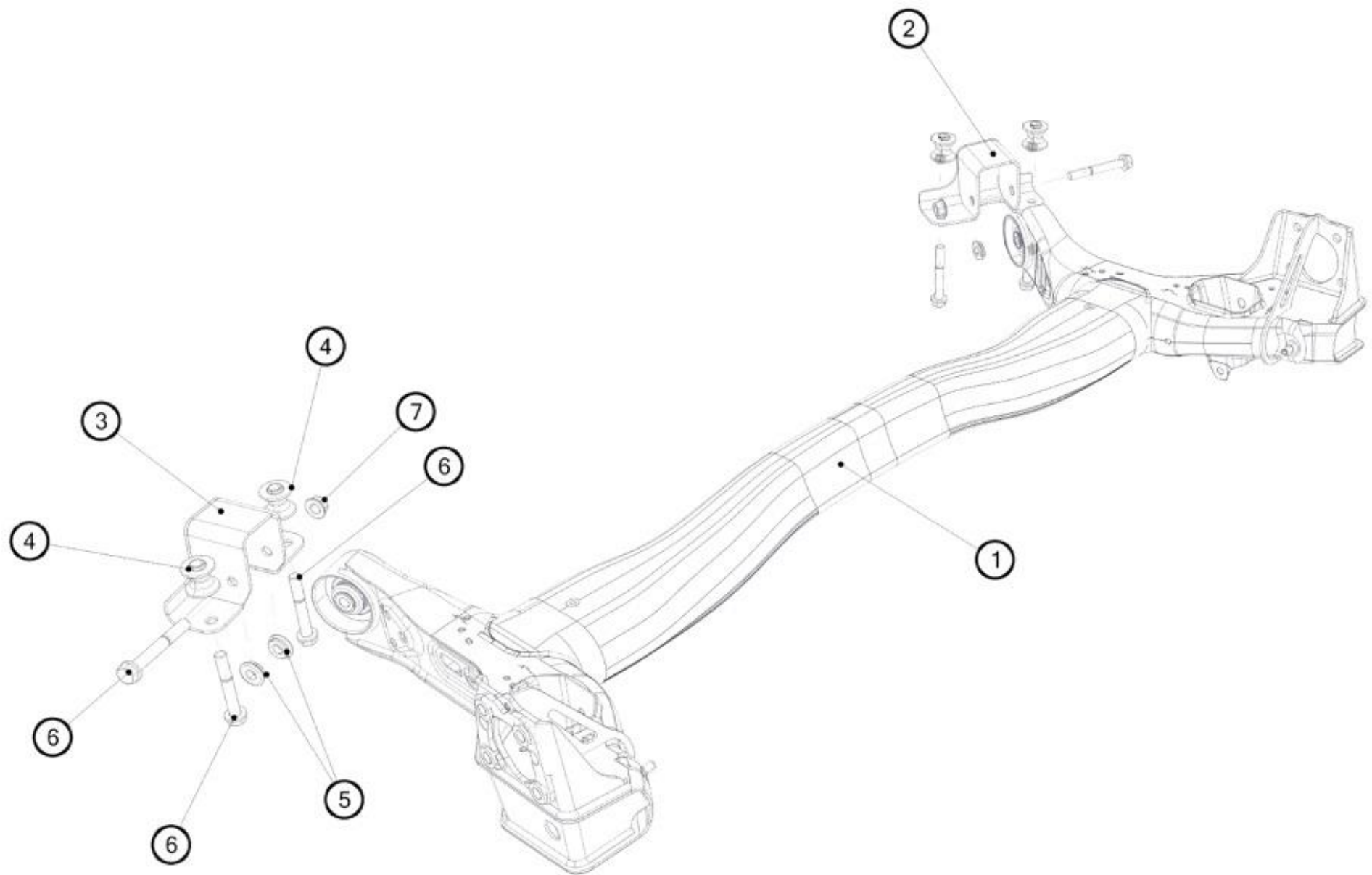


E14B – Capteur débattement suspension AV – *Front Suspension travel sensor*

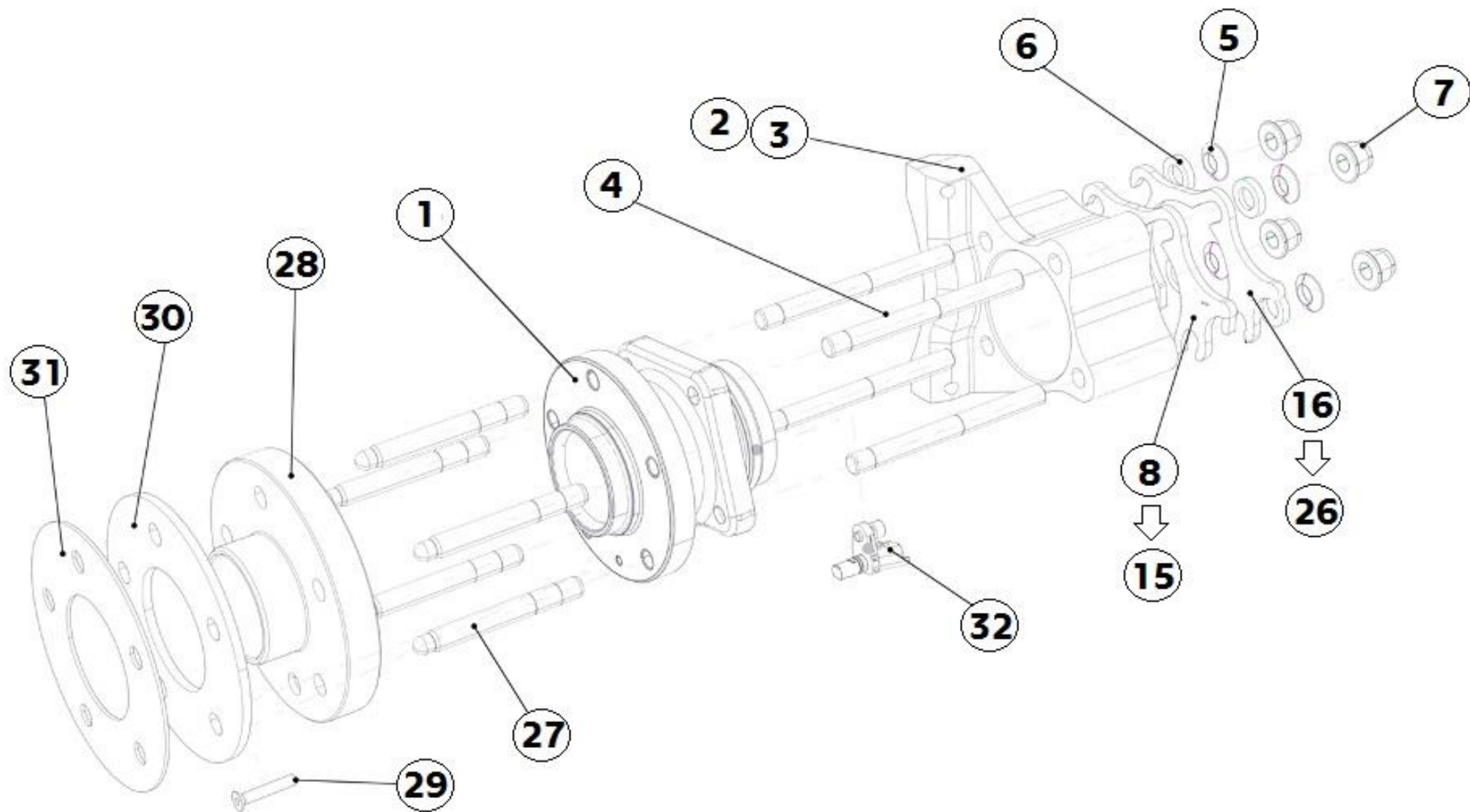
E15 – Barre Antiroulis Avant – *Front Anti-roll Bar*



E21 – **Traverse Arrière** – *Rear Cross member*



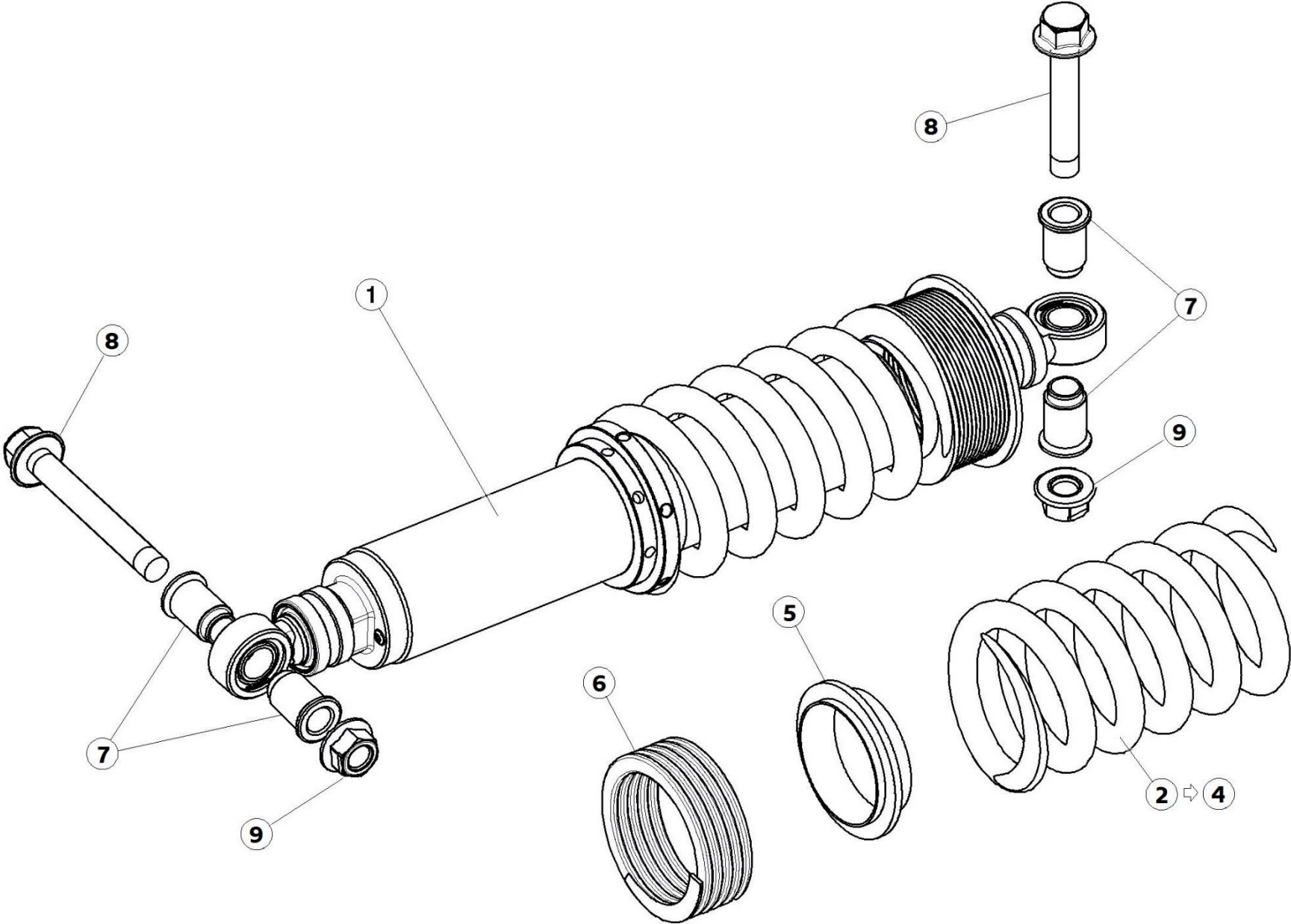
E24 – Porte moyeu Arrière – *Rear Wheel Hub*



REP	REFERENCE	QTE	DESIGNATION
1	9803736180	2	MOYEU ROULEMENT DE ROUE Rear Wheel Hub
2	904497788A	1	SUPPORT_ETRIER_AR_D Rear Right Brake Caliper Mount
3	904497798A	1	SUPPORT_ETRIER_AR_G Rear Left Brake Caliper Mount
4	904498408A	8	GOUJ-M12X125 Stud M12x125
5	1E2263602A	8	Rondelle convexe fusée AR A55 R3 Convex Washer
6	1E2263603A	8	Rondelle concave fusée AR A55 R3 Concave Washer
7	503621	8	ECROU FREIN M12X125 Self-Locking Nut M12x125
8	904486858B	2	CALE REGLAGE PINCE +1 Rear Toe Shim +1
9	904487848B	2	CALE REGLAGE PINCE +2 Rear Toe Shim +2
10	904487858B	2	CALE REGLAGE PINCE +3 Rear Toe Shim +3
11	904487868B	2	CALE REGLAGE PINCE -1 Rear Toe Shim -1
12	904487878B	2	CALE REGLAGE PINCE -2 Rear Toe Shim -2
13	904487888B	2	CALE REGLAGE PINCE -3 Rear Toe Shim -3
14	904487898B	2	CALE REGLAGE PINCE -4 Rear Toe Shim -4
15	904487908B	2	CALE REGLAGE PINCE -5 Rear Toe Shim -5
16	904486848B	2	CALE REGLAGE CAR 0 Rear Camber Shim 0
17	904487748B	2	CALE REGLAGE CAR -0.2 Rear Camber Shim -0.2

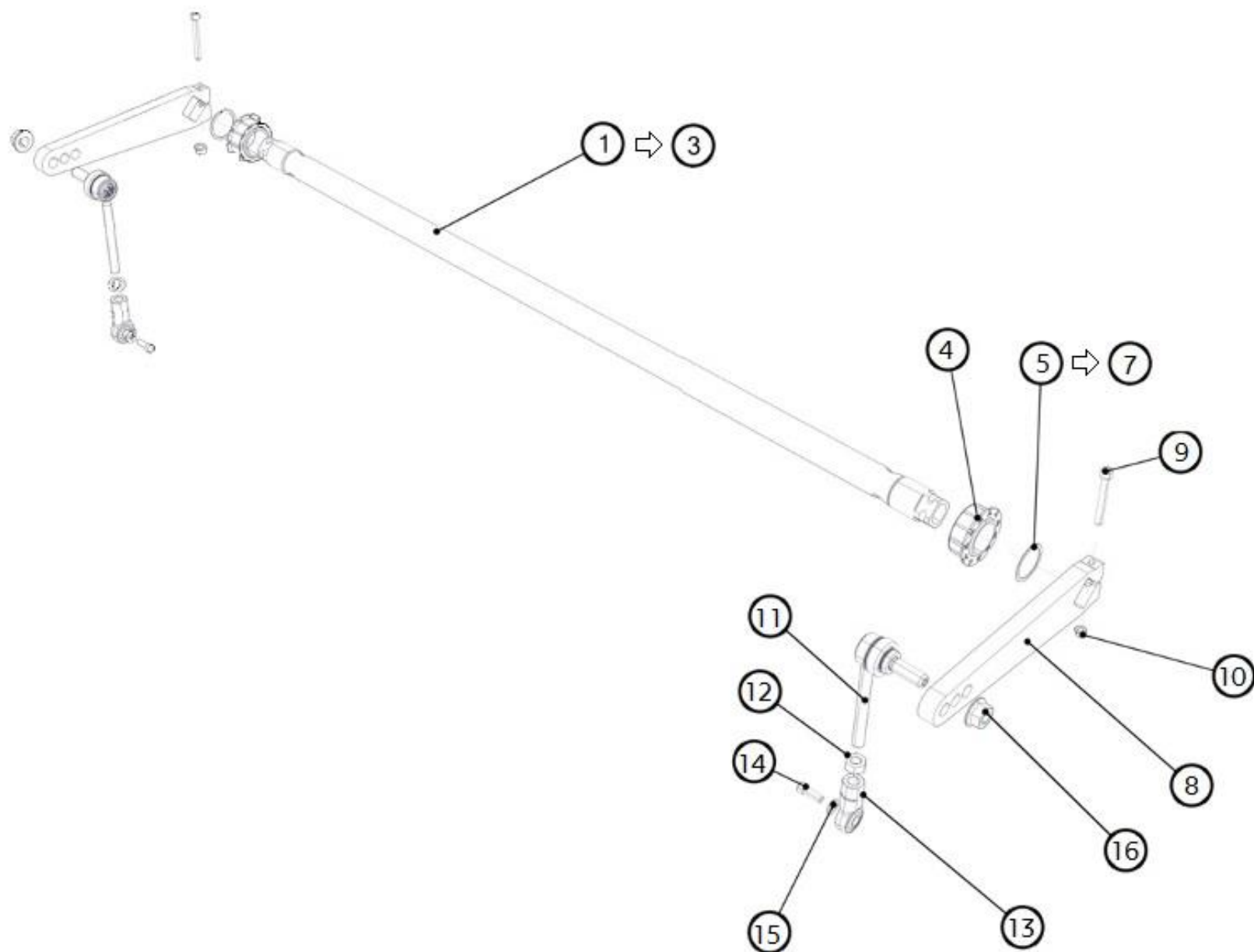
REP	REFERENCE	QTE	DESIGNATION
18	904487758B	2	CALE REGLAGE CAR -0.4 Rear Camber Shim -0.4
19	904487768B	2	CALE REGLAGE CAR -0.6 Rear Camber Shim -0.6
20	904487778B	2	CALE REGLAGE CAR -0.8 Rear Camber Shim -0.8
21	904487788B	2	CALE REGLAGE CAR -1 Rear Camber Shim -1
22	904487798B	2	CALE REGLAGE CAR +0.2 Rear CamberShim +0.2
23	904487808B	2	CALE REGLAGE CAR +0.4 Rear Camber Shim +0.4
24	904487818B	2	CALE REGLAGE CAR +0.6 Rear Camber Shim +0.6
25	904487828B	2	CALE REGLAGE CAR +0.8 Rear Camber Shim +0.8
26	904487838B	2	CALE REGLAGE CAR +1 Rear Camber Shim +1
27	904600048A	10	GOUJON ROUE M12X125 Wheel Stud M12x125
28	904486738B	2	CALE VOIE FIXE Rear Track Spacer
29	PS85573A10	2	Vis FHC M6-35 FHC Screw M6-35
30	904486818A	2	CALE DE VOIE 5MM 5mm Track Spacer
31	904486808A	2	CALE DE VOIE 2MM 2mm Track Spacer
32	9800038480	2	CAPTEUR ABR AR Rear Wheel Speed Sensor

E25A – Suspension Arrière – *Rear Suspension*



E25B – Capteur débattement suspension AR – *Rear suspension travel sensor*

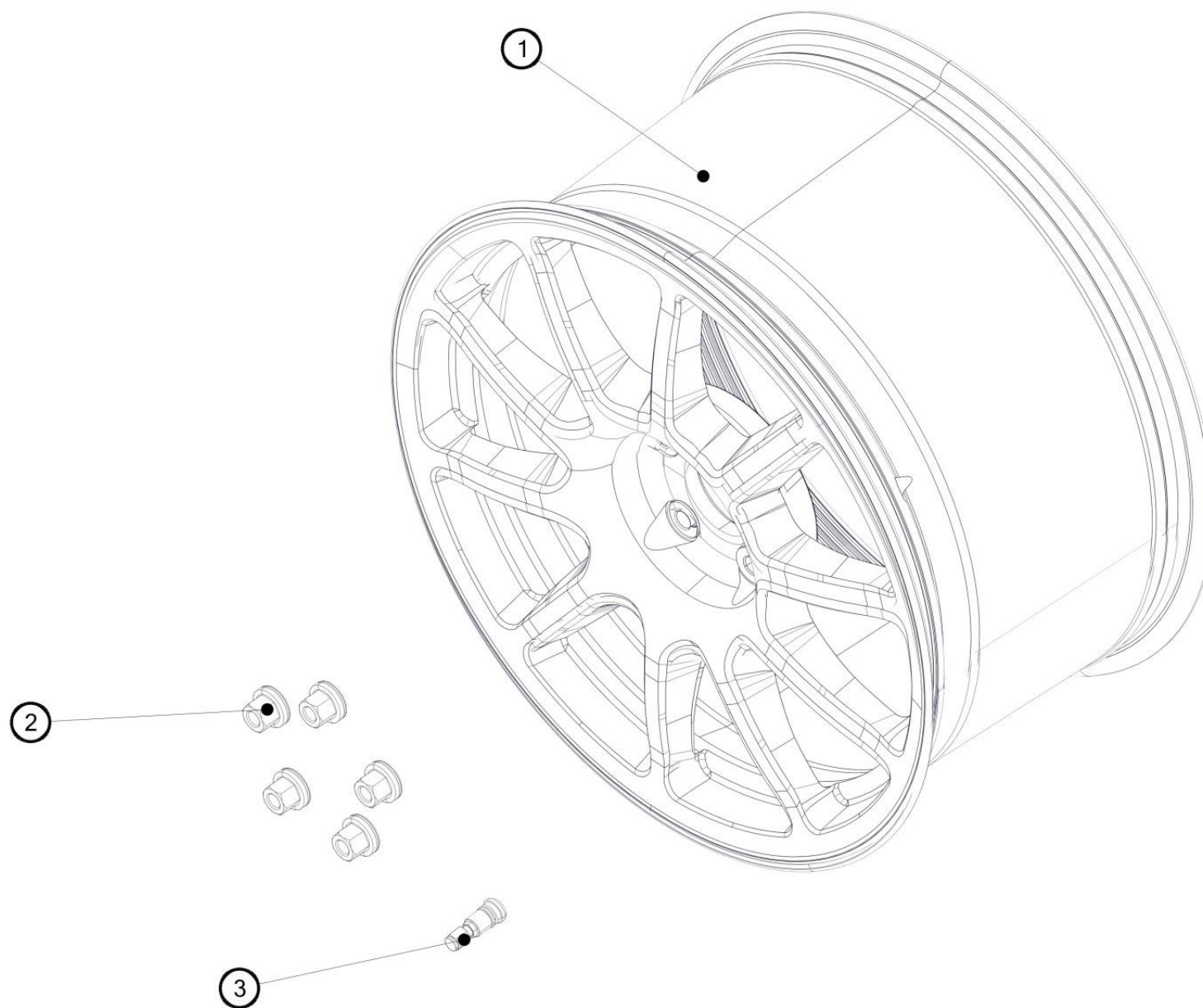
E26 – Barre Antiroulis Arrière – *Rear Anti-roll Bar*



REP	REFERENCE	QTE	DESIGNATION
1	904490848A	1	BAD AR 22X2 Rear Anti Roll Bar 22x2
2	904604258A	1	BAD AR 20X2 Rear Anti Roll Bar 20x2
3	904490828A	1	BAD AR 25X2 Rear Anti Roll Bar 25x2
4	ST02100008	2	PAL IGUS EGFM30-T1 BEARING IGUS EGFM30-T1
5	904601198A	2	CALE COUT BAD 0.5 Anti Roll Bar Blade Spacer 0.5
6	904601208A	2	CALE COUT BAD 0.75 Anti Roll Bar Blade Spacer 0.75
7	904601218A	2	CALE COUT BAD 1 Anti Roll Bar Blade Spacer 1
8	904486978B	2	COUTEAU BARRE ANTI ROULIS Rear Anti Roll Bar Blade
9	692806	2	VIS CHC EMBASE DIAM 6X100-50 Socket Collar Scew M6x100-50
10	PS74001A10	2	Ecrou à embase M6 Collar nut M6
11	904487918B	2	n BIELLETTE BARRE ANTI ROULIS Rear Antiroll Bar Link
12	7244K7	2	ECROU Hm M10X150 Nut Hm M10
13	ST04500009	2	EMBOUT ROTULE 10-M10x150 M10x150 Rod End
14	PS82057A10	2	Vis M6x18 cl.12.9 Screw M6-18 12.9
15	694904	2	Rondelle plate std 6X14-1,5 Washer 6x14-1.5
16	8845YR	2	ECROU EMBASE M12X175 Collar Nut M12x175
17	PS74014A10	2	Ecrou à embase M10 Collar Nut M10

REP	REFERENCE	QTE	DESIGNATION
18			
19			
20			
21			
22			
23			
24			
25			
26			
27			
28			
29			
30			
31			
32			
33			
34			

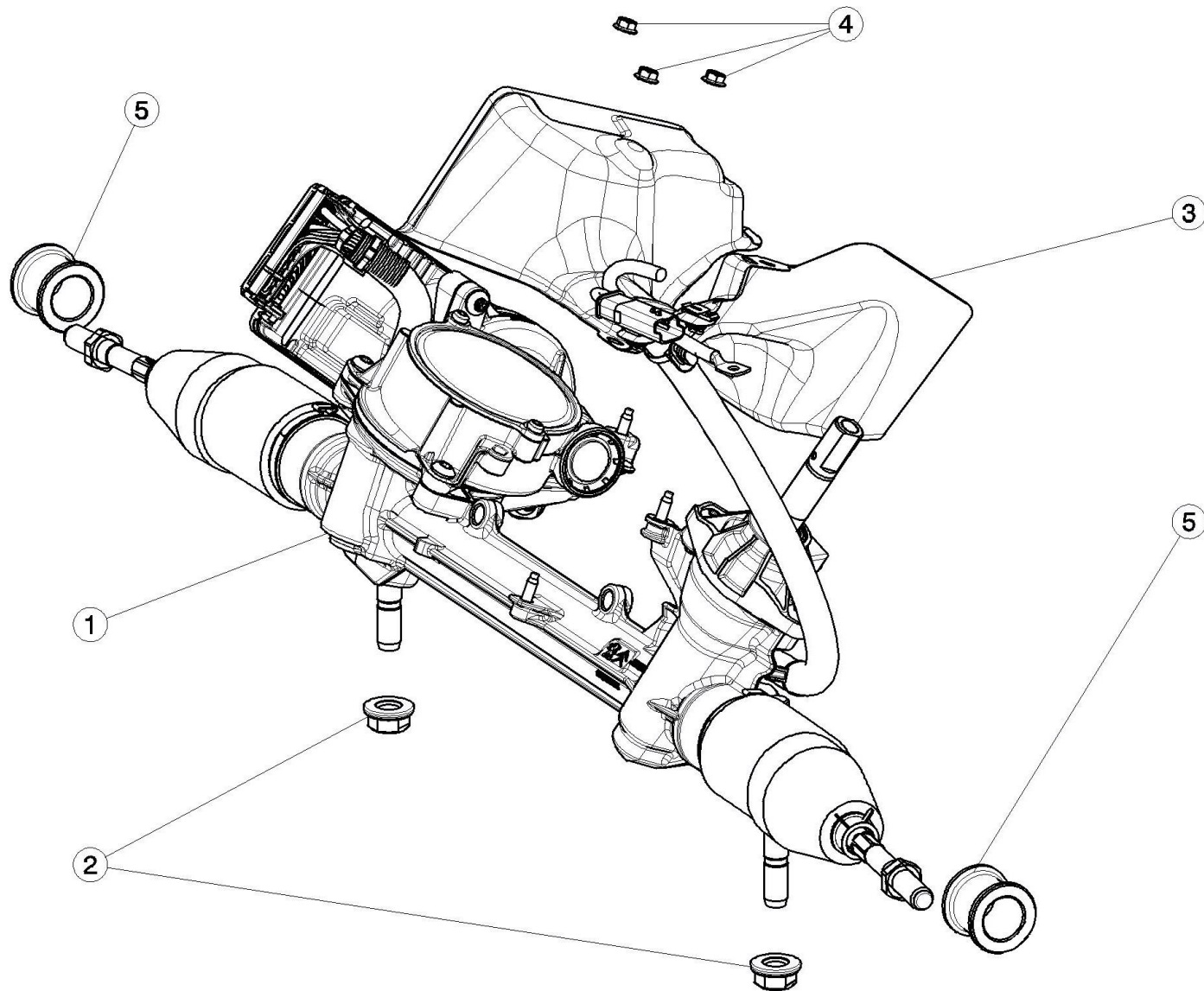
E31 – Roues – Rims



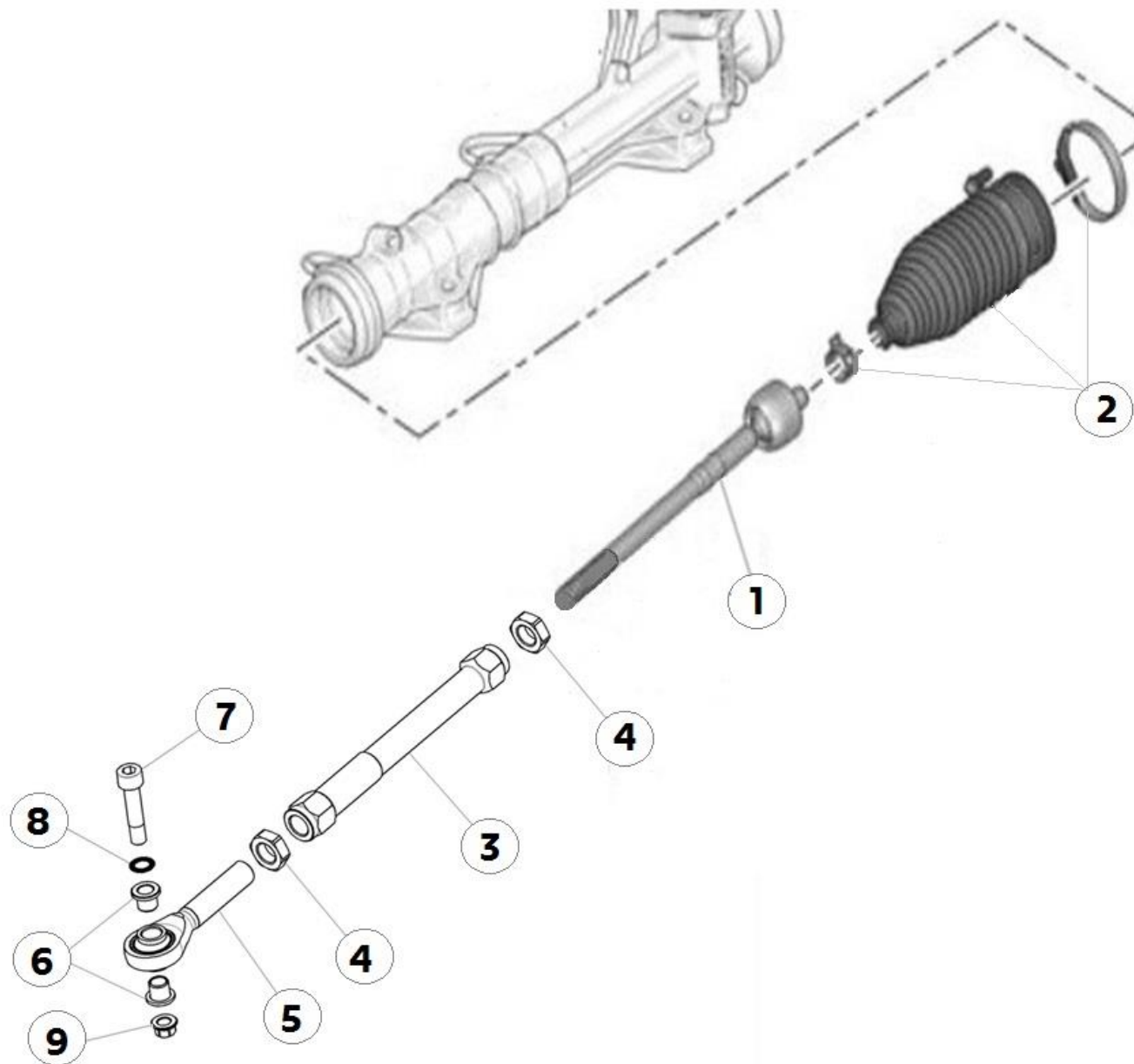
REP	REFERENCE	QTE	DESIGNATION
1	904476088B	4	Jante 10x18 et61,5 black <i>Rim 10x18 ET61,5 BLACK</i>
2	217023-00	20	Ecrou de roue <i>Wheel Nut</i>
3	1E3121373A	4	Valve Schrader TR412 <i>Tyre Valve Schrader TR412</i>
4	PNEU308-S9L	4	Pneu slick 27/65-18 S9L <i>Slick Tyre 27/65-18 S9L</i>
5	PNEU308-P2G	4	Pneu pluie 27/65-18 P2G <i>Wet tyre 27/65-18 P2G</i>
6			
7			
8			
9			
10			
11			
12			
13			
14			
15			
16			
17			

REP	REFERENCE	QTE	DESIGNATION
18			
19			
20			
21			
22			
23			
24			
25			
26			
27			
28			
29			
30			
31			
32			
33			
34			

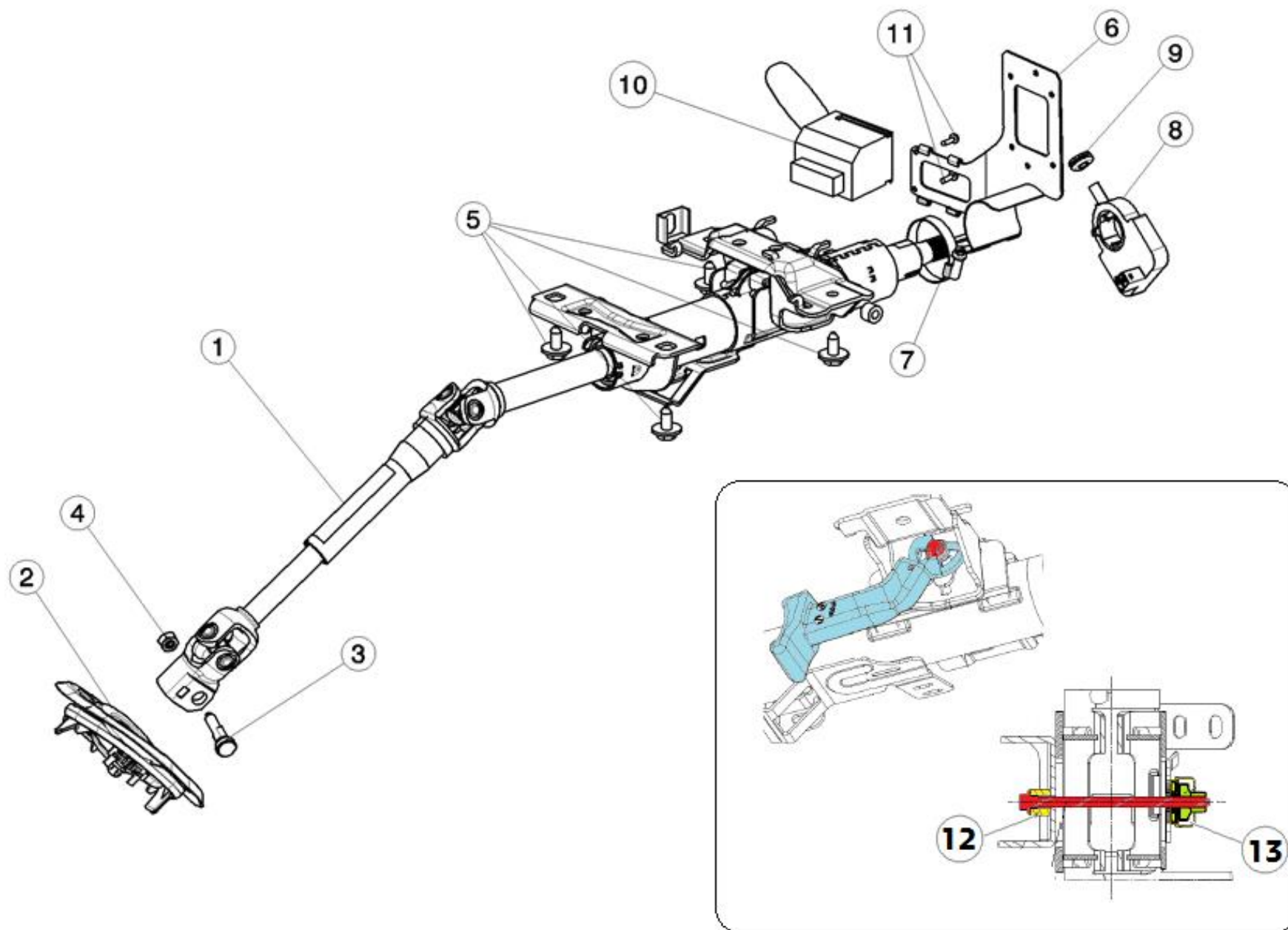
E41 – Mécanisme de Direction – *Steering Rack*



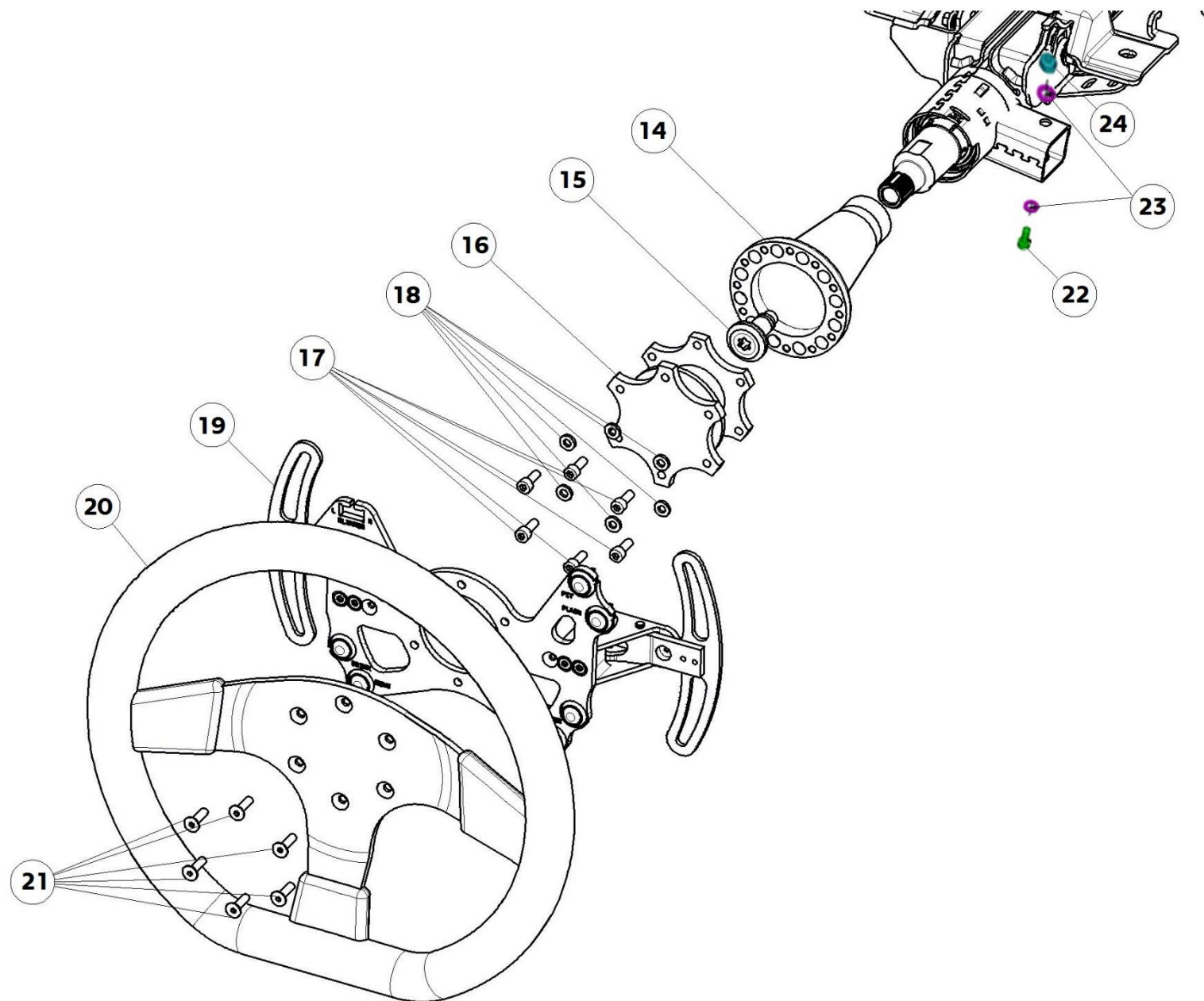
E44 – Bielle de Direction – *Steering Rod*



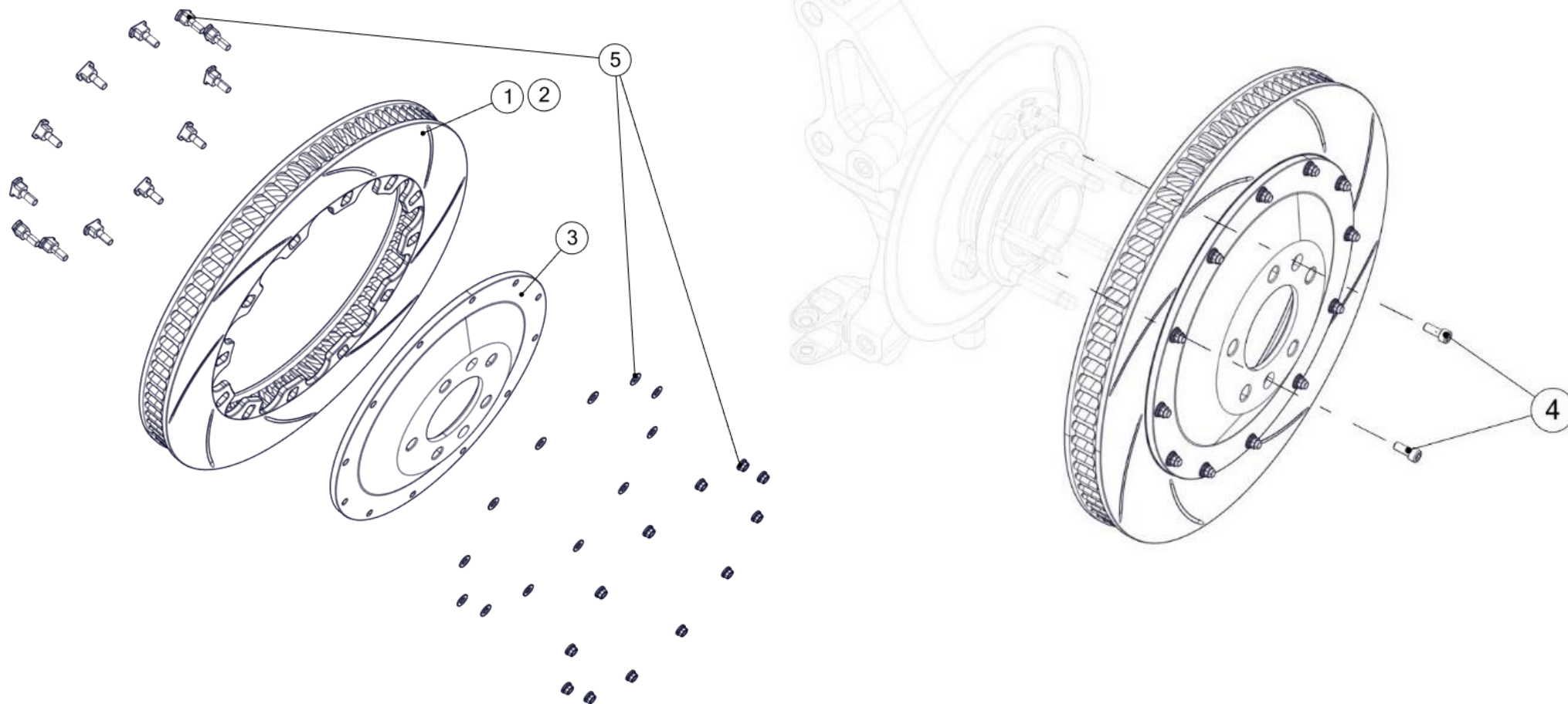
E45 – Colonne de Direction – *Steering Column*



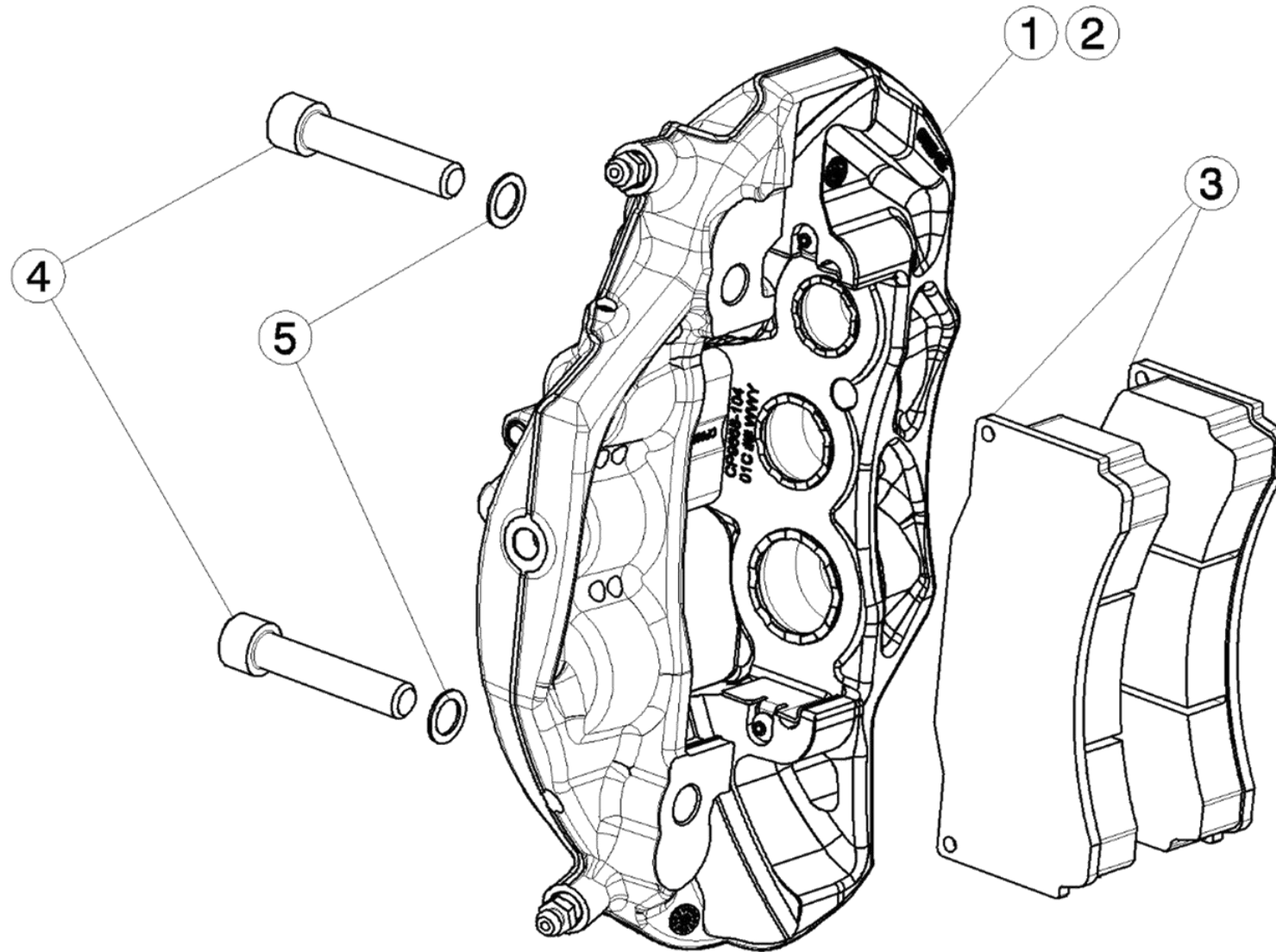
E45 – Colonne de Direction – *Steering Column*



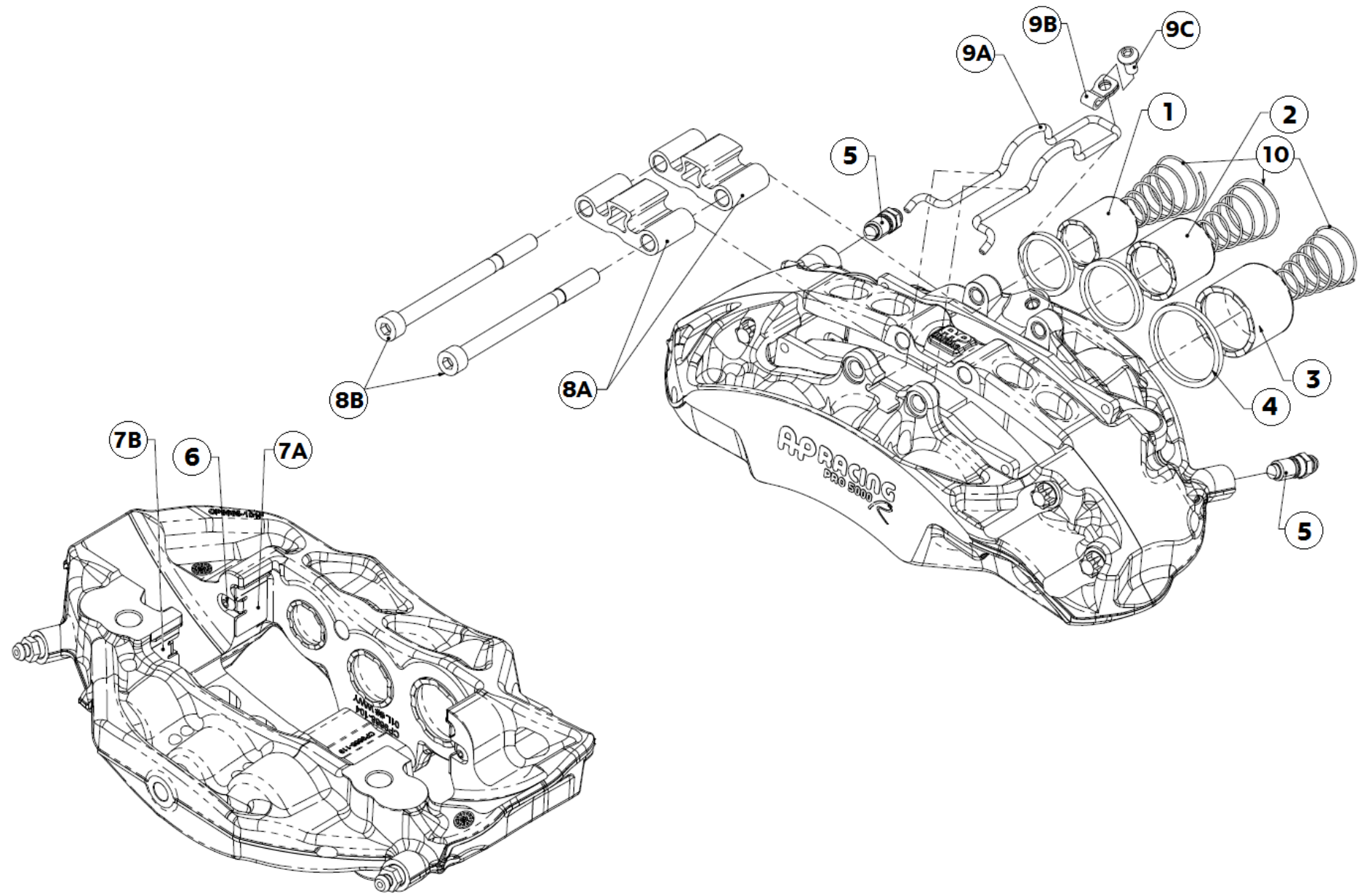
F11 – Disques de Frein Avant – *Front Brake Discs*



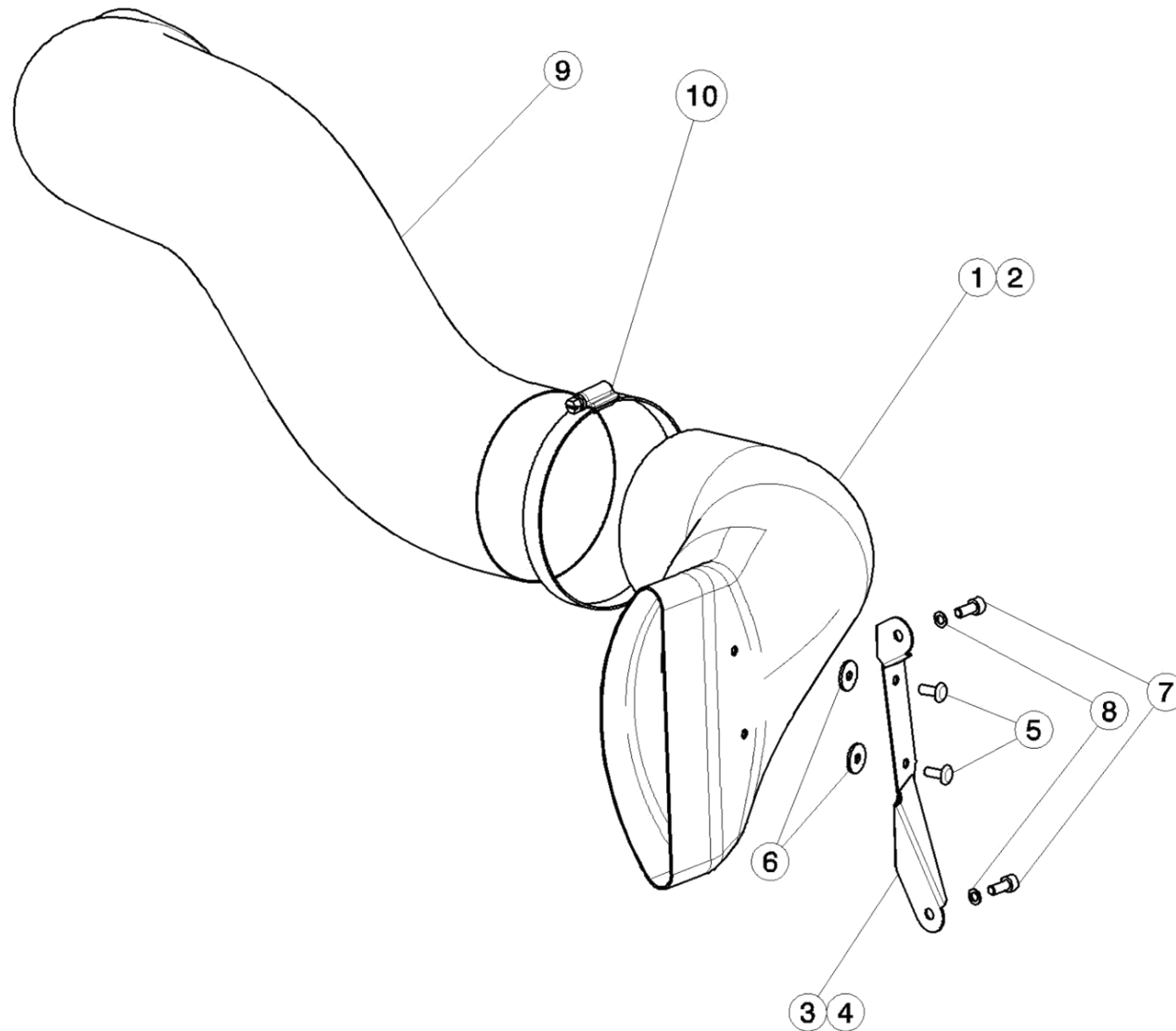
F21 – Étriers de Frein Avant – *Front Brake Calipers*



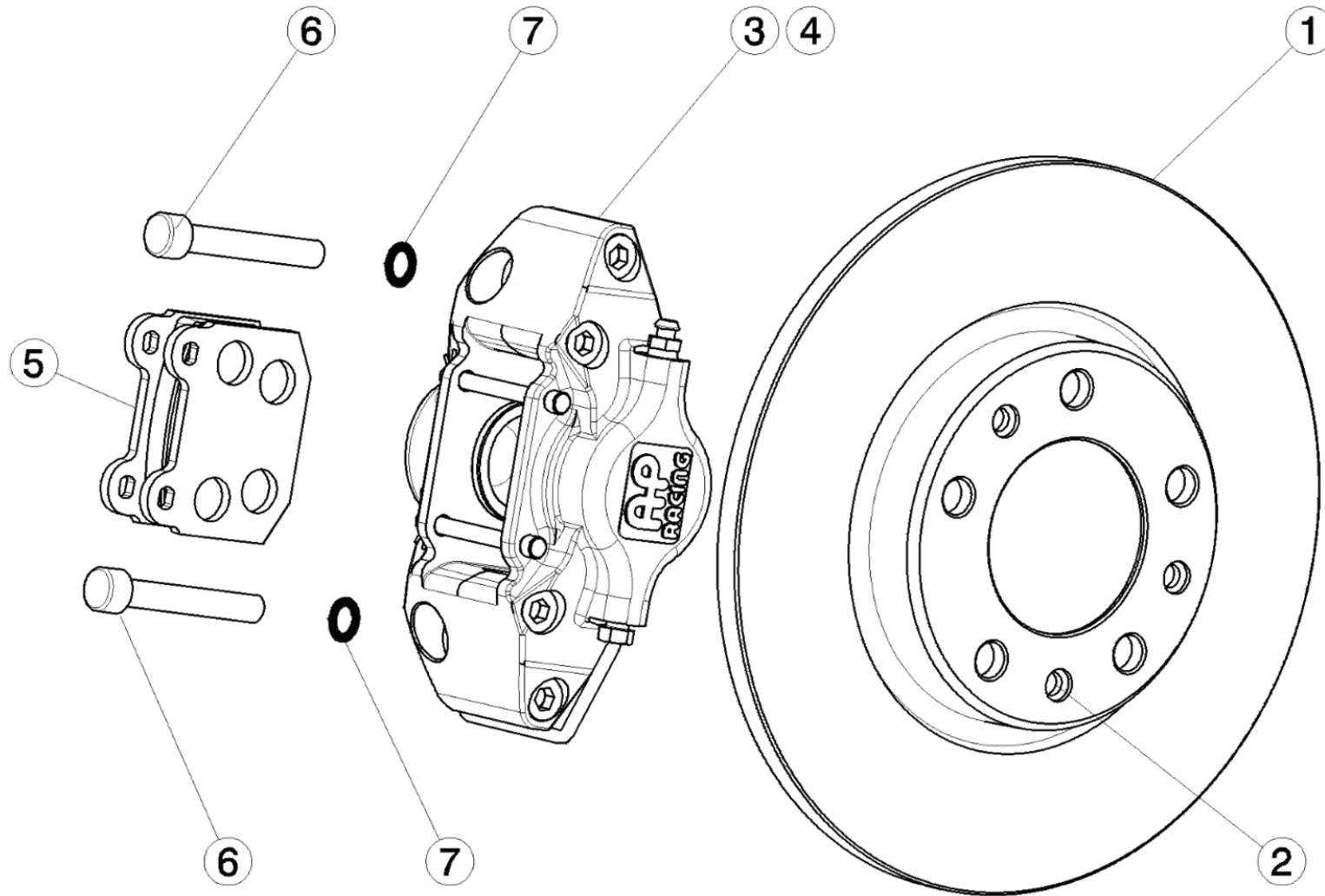
F21 – Étriers de Frein Avant – *Front Brake Caliper*



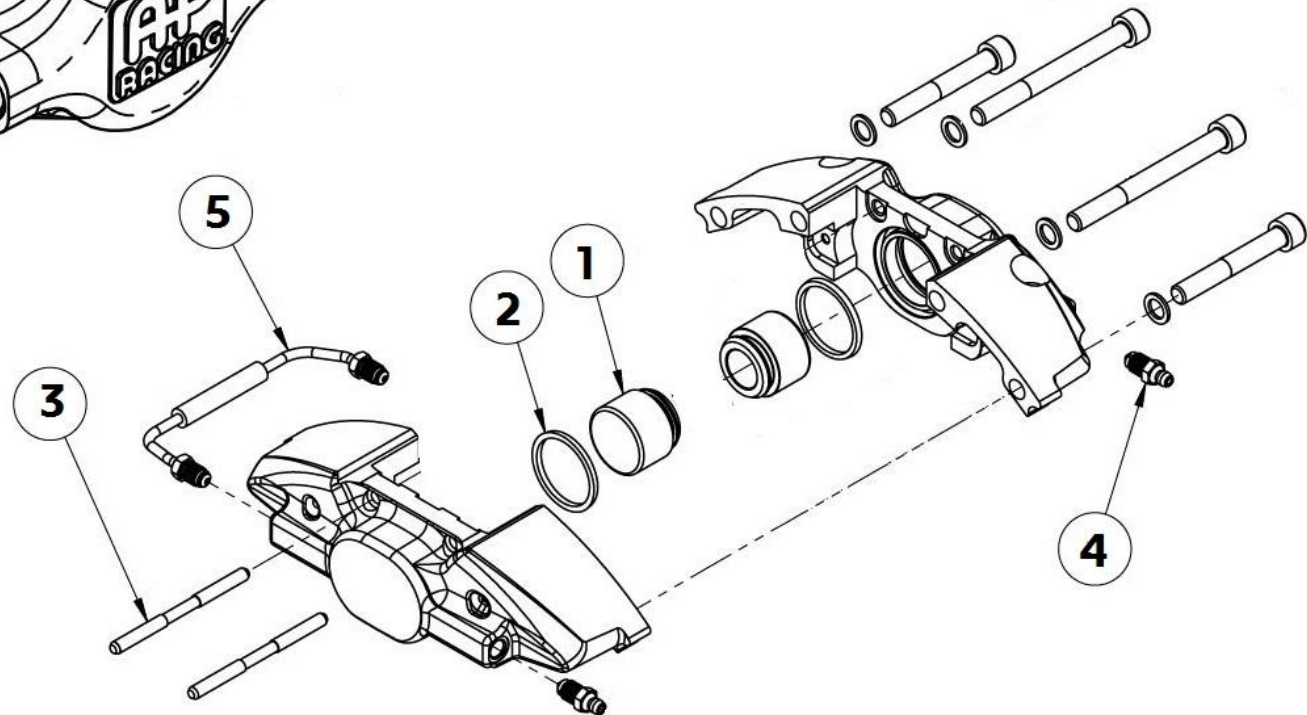
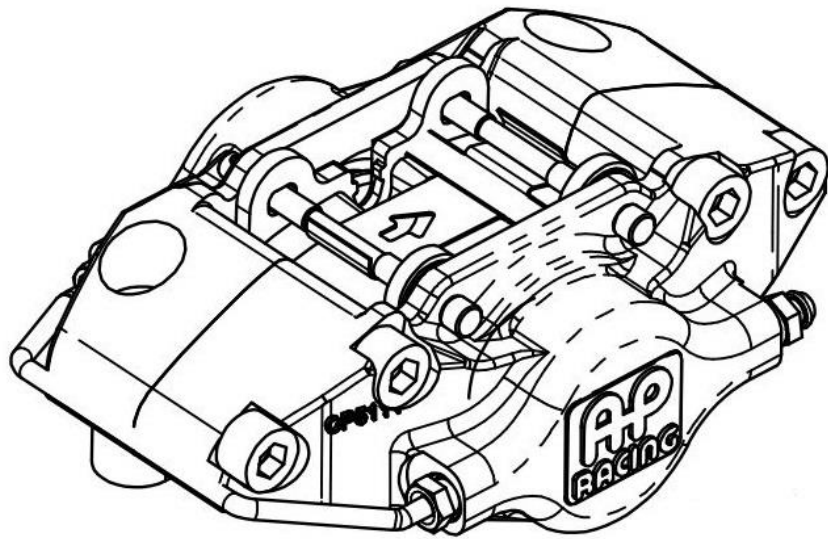
F22 – Refroidissement Frein – *Brake Cooling*



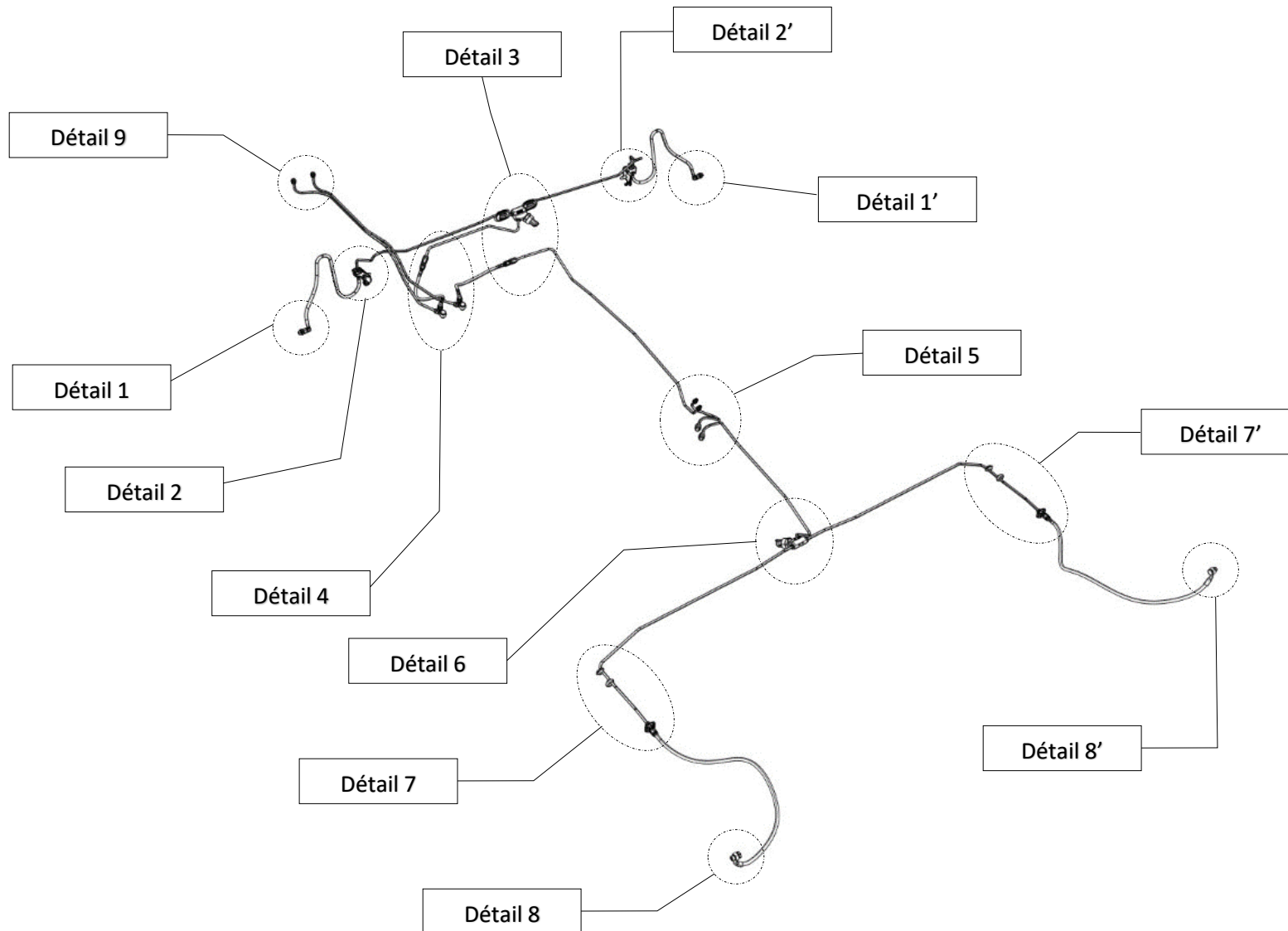
F41 – Freins Arrières – *Rear Brakes*



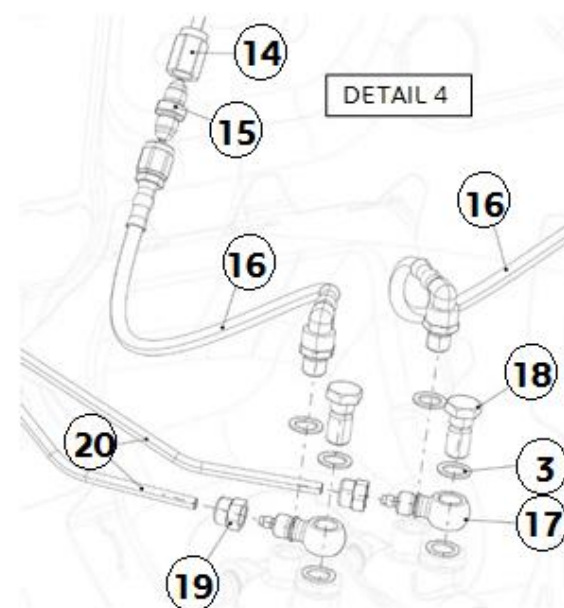
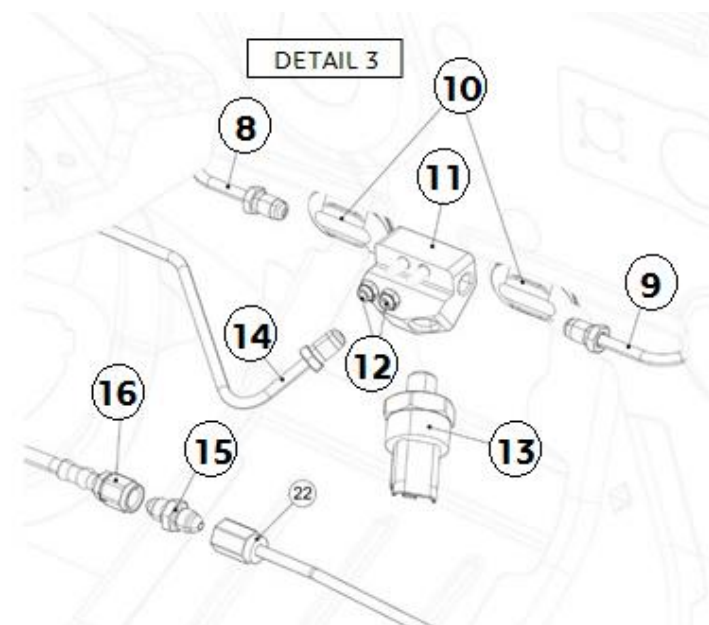
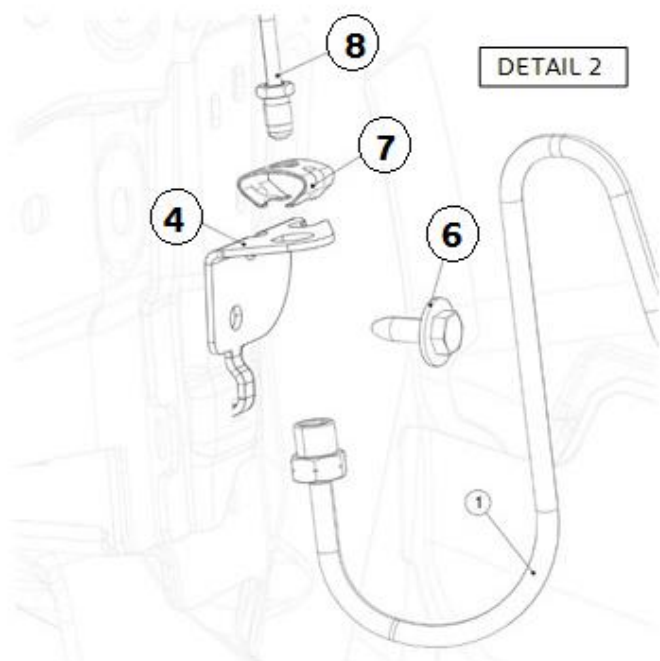
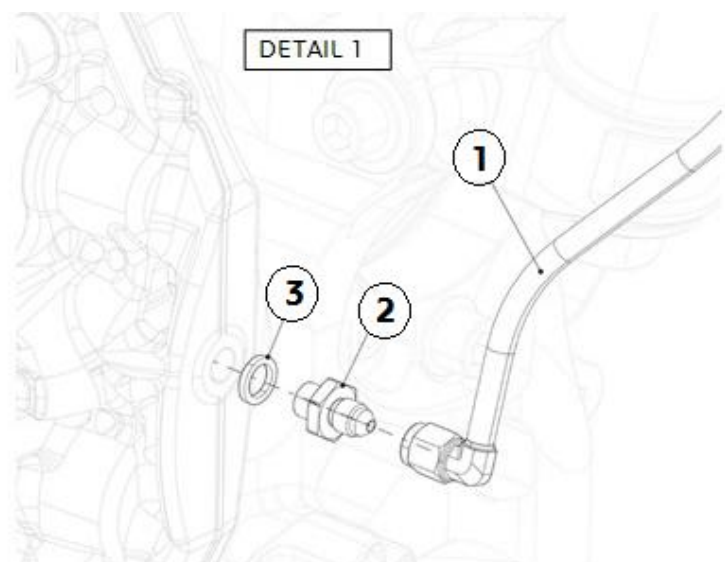
F41 – Freins Arrières – *Rear Brakes*



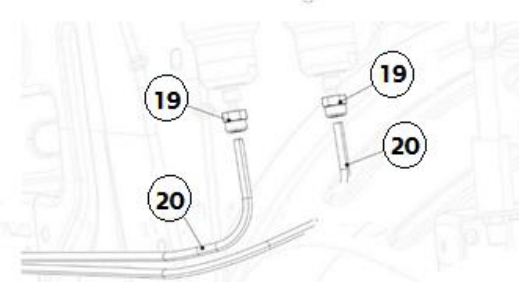
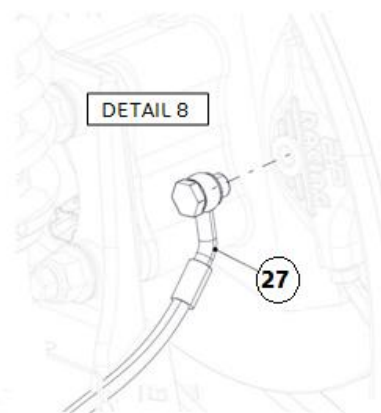
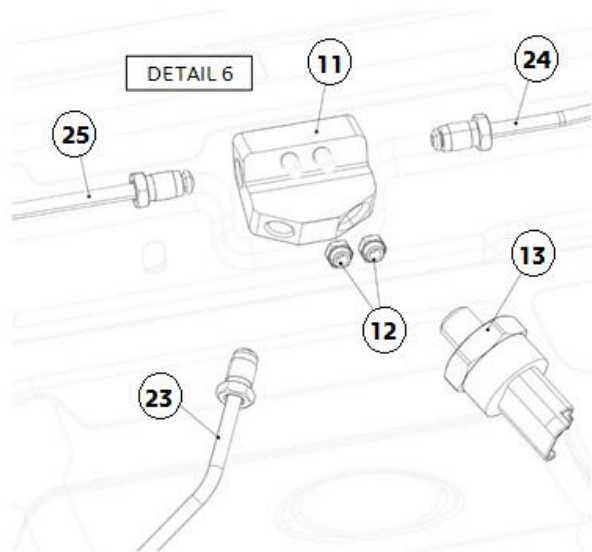
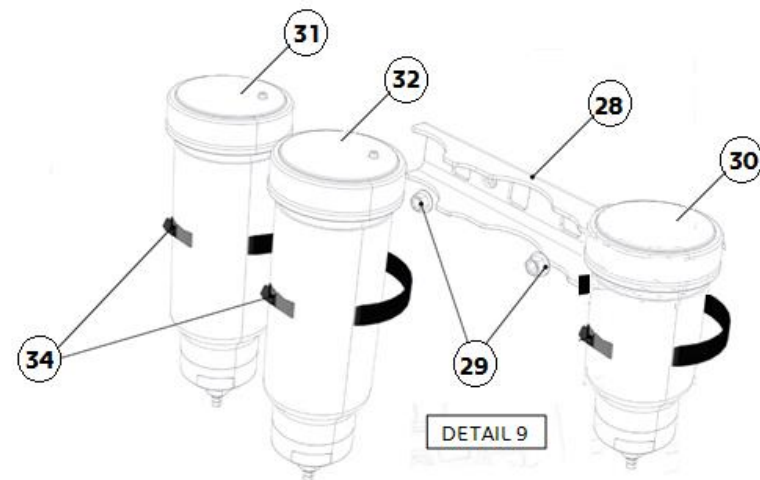
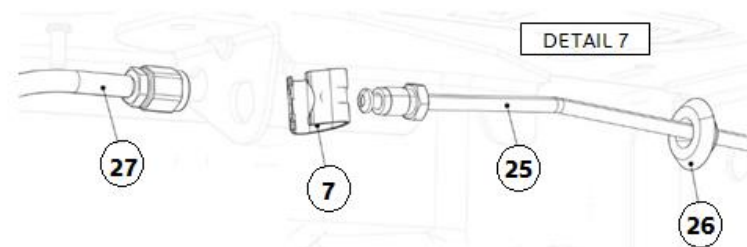
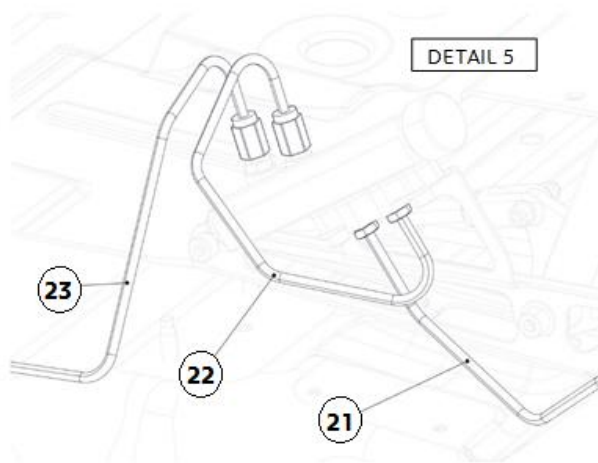
F63 – Circuit de Frein – *Brake Circuit*



F63 – Circuit de Frein – Brake Circuit



F63 – Circuit de Frein – *Brake Circuit*

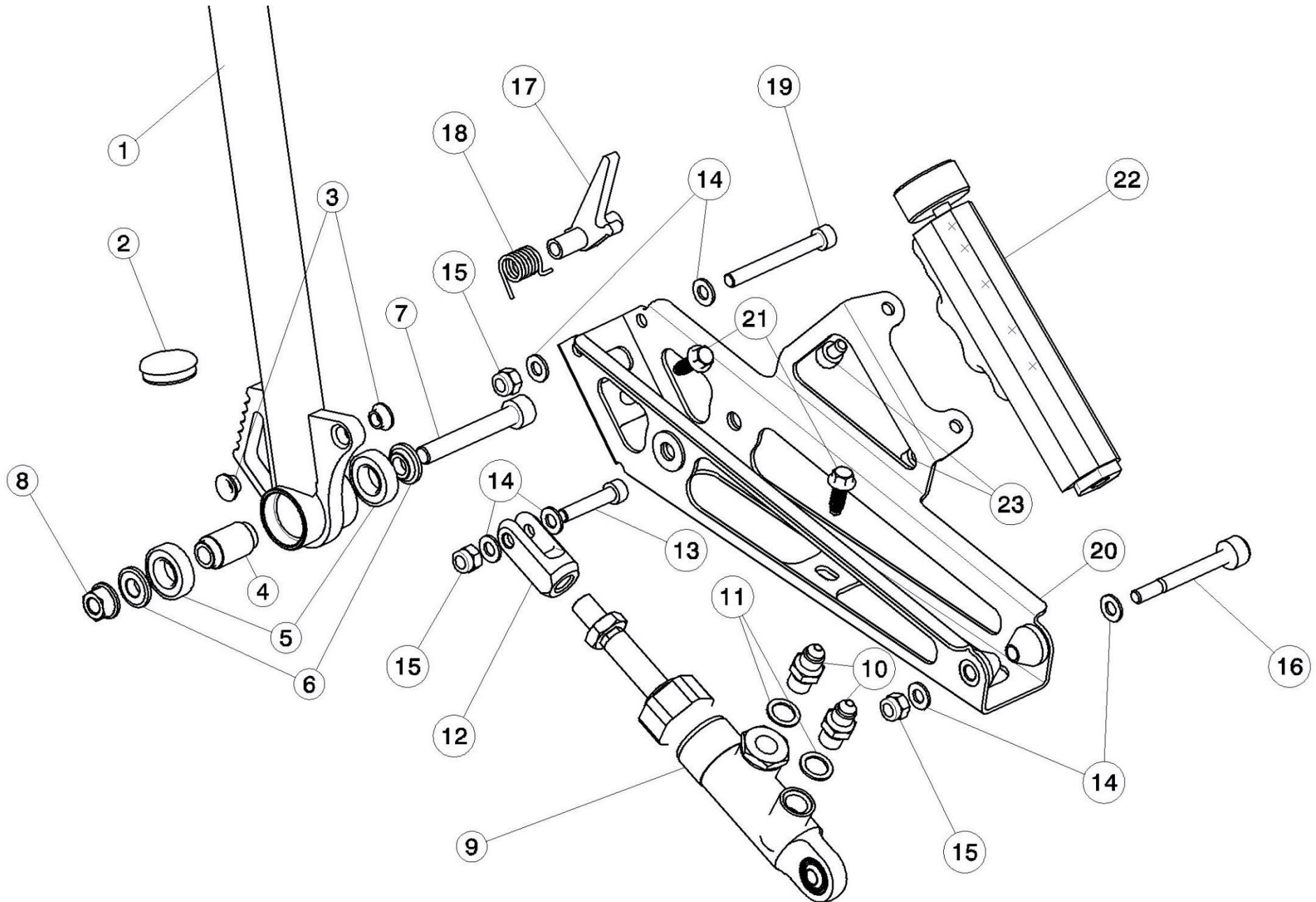


REP	REFERENCE	QTE	DESIGNATION
1	904433098A	2	Raccord Flexible Frein AV Front Brake Pipe
2	PS73248A10	2	Raccord DASH3 M10x1 M/M Dash 3 – M10 Male/Male coupling
3	PS81535A10	8	Joint Cuivre 10x4x2 Copper Seal 10x4x2
4	9800218780	1	Support Flexible Frein AVG Fr Left Flexible Brake Pipe Mount
5	9800218580	1	Support Flexible Frein AVD Fr Right Flexible Brake Pipe Mount
6	9023YG	2	VIS M8x25 Screw M8-25
7	4814Z9	4	Cavalier Fix Flexible Frein Brake Pipe Jumper
8	904605658B	1	Tuyau Rigide Frein AVG Front Left Rigid Brake Pipe
9	904605648B	1	Tuyau Rigide Frein AVD Front Right Rigid Brake Pipe
10	7518H2	2	Obturateur 18X40 Plug 18x40
11	1F6363454A	2	Raccord 4 Voies 4Way Coupling
12	693673	4	Écrou Frein M5x5.4x8 Self-Locking Nut M5
13	5273A2	2	Capteur Pression Hydraulic pressure sensor
14	904605988B	1	Tuyau Rigide Frein TE AV Pédalier Pedal to Fr 3Way Connect Rigid Pipe
15	PS73027A10	2	Raccord M DASH3 JIC/JIC M DASH 3 JIC/JIC Coupling
16	1G1124215A	2	Flexible Émetteur L325 Fr brake MC/support hose
17	1F6363865A	2	Raccord Banjo Émetteur Master Cylinder Banjo Coupling
18	1F6363866A	2	Vis Raccord Banjo Émetteur MC Banjo Coupling Screw
19	1G3262584A	2	Écrou ATEC Tuyau Alim Feeding Hose Nut

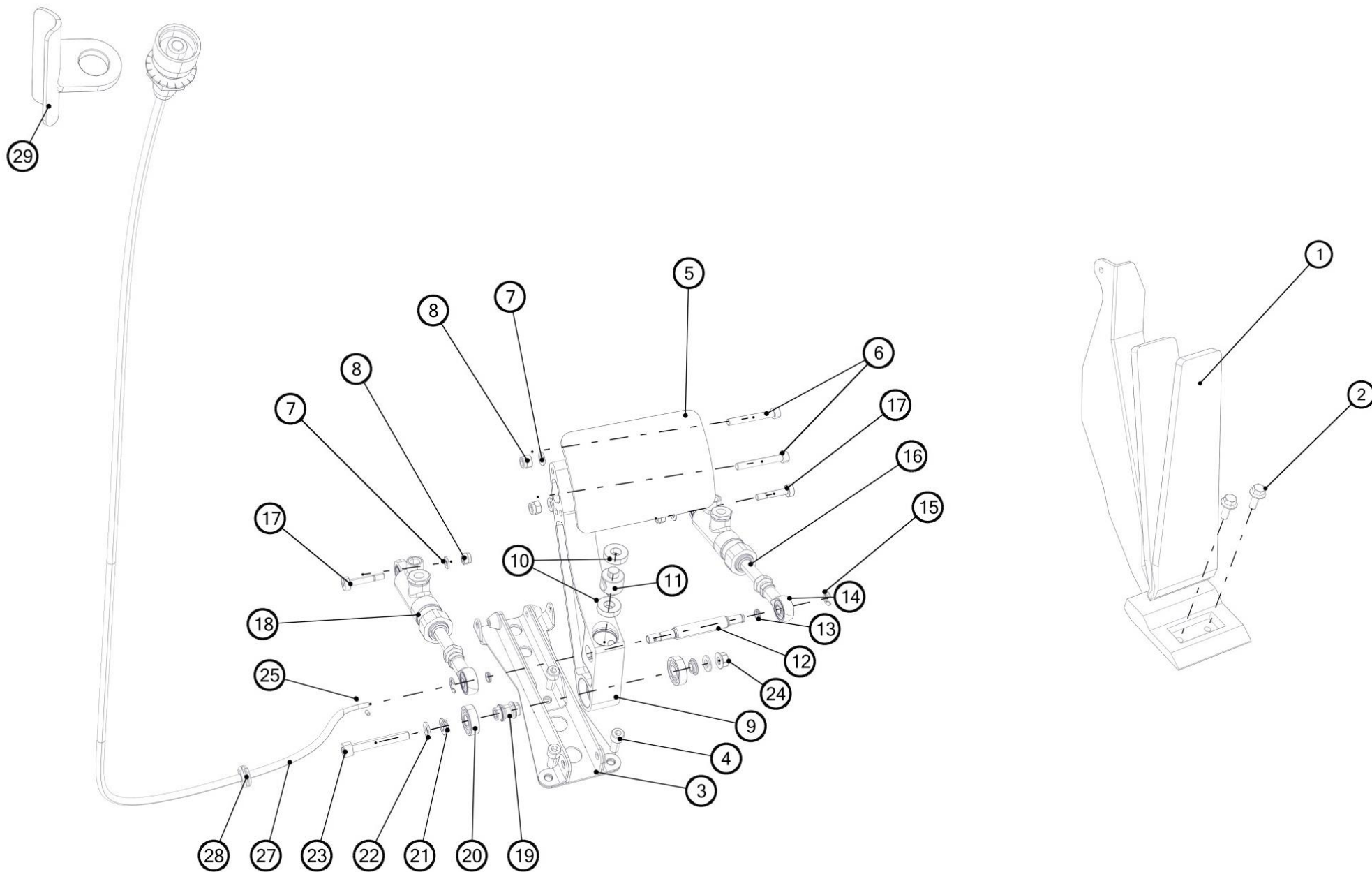
REP	REFERENCE	QTE	DESIGNATION
20	1G3262602A	2	Tuyau Souple Alim Émetteur 1m Master Cylinder Feeding Hose
21	904605668B	1	Tuyau Rigide Frein TE AV Limit Front-TE-LIMIT- Brake Pipe
22	904605678B	1	Tuyau Rigide Frein Limit MC Pedal to Limiter Rigid Brake Pipe
23	904605688B	1	Tuyau Rigide Frein MC TE AR Limit to Rr 3Way Connect Rigid Pipe
24	904428378B	1	Tuyau Rigide Frein ARG Rear Left Rigid Brake Pipe
25	904428368B	1	Tuyau Rigide Frein ARD Rear Right Rigid Brake Pipe
26	646272	4	Obturateur D14 Plug D14
27	904601948A	2	Raccord Flexible Frein AR Rear Brake Flexible Hose
28	904494298A	1	SUP-BOCAUX-FR-EMB Reservoir Mount
29	PS74006A10	2	ECROU H RDL SIMLOC M6X100 H Nut With Washer Simloc M6X100
30	1G3262850A	1	Réservoir Court Short Reservoir
31	904612128A	1	Réservoir long Tall Reservoir
32	1F6362849A	1	Réservoir médium Medium Reservoir
33	PS91627A10	3	COLLIER VIS BANDE 8 D32 A 52 V-BAND CLAMP D32-52
34	1F6362743A	2	Soufflet réservoir Reservoir Boot
35	904604478B	1	Tuyau émetteur embrayage Clutch MC Pipe
36	904679998A	1	Raccord bocal emetteur m10 x 1.0 Clutch Fluid Reservoir coupling
37	ST04100073		Coupleur frein dash3 femelle DASH3 female coupling
38	PS73035A10		Adaptateur M10x1/Dash3 M/M Adaptator M10x1/Dash3 M/M

F64 – Circuit **ABS** - *ABS Braking circuit*

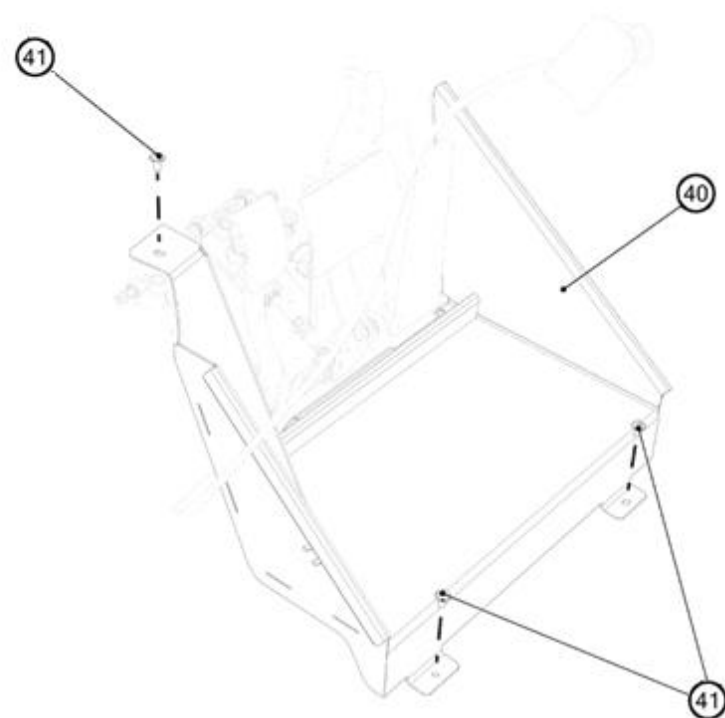
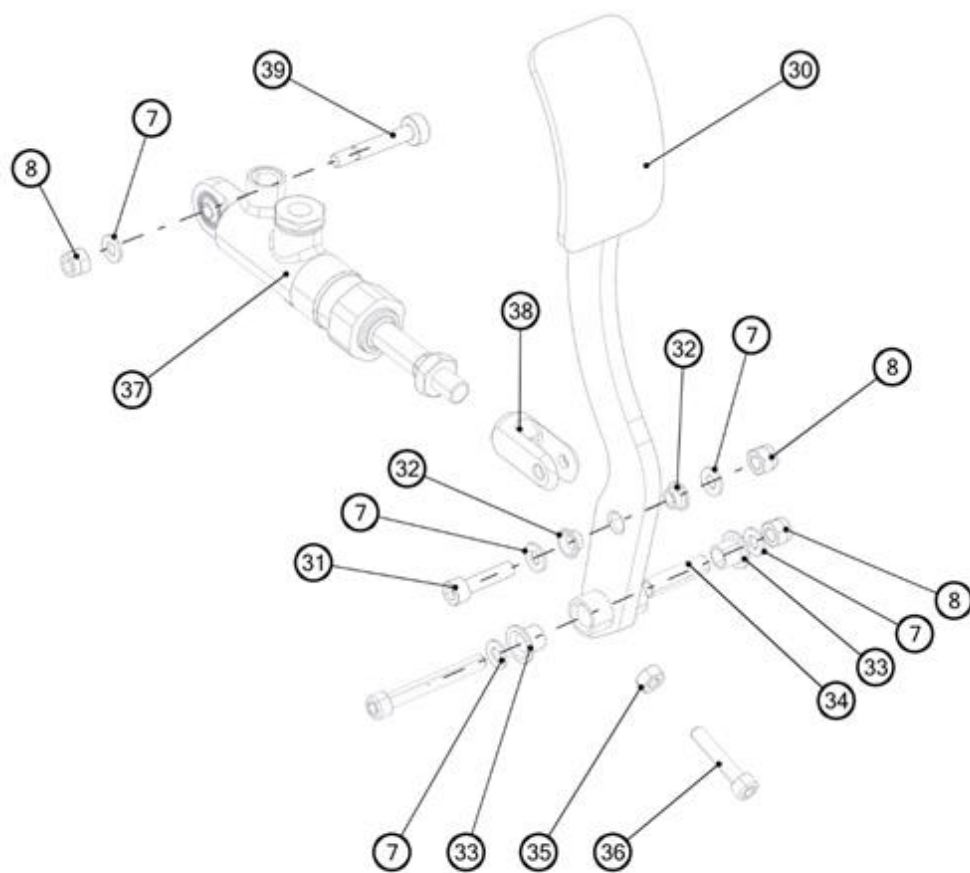
F71 – Frein à Main – *Hand Brake*



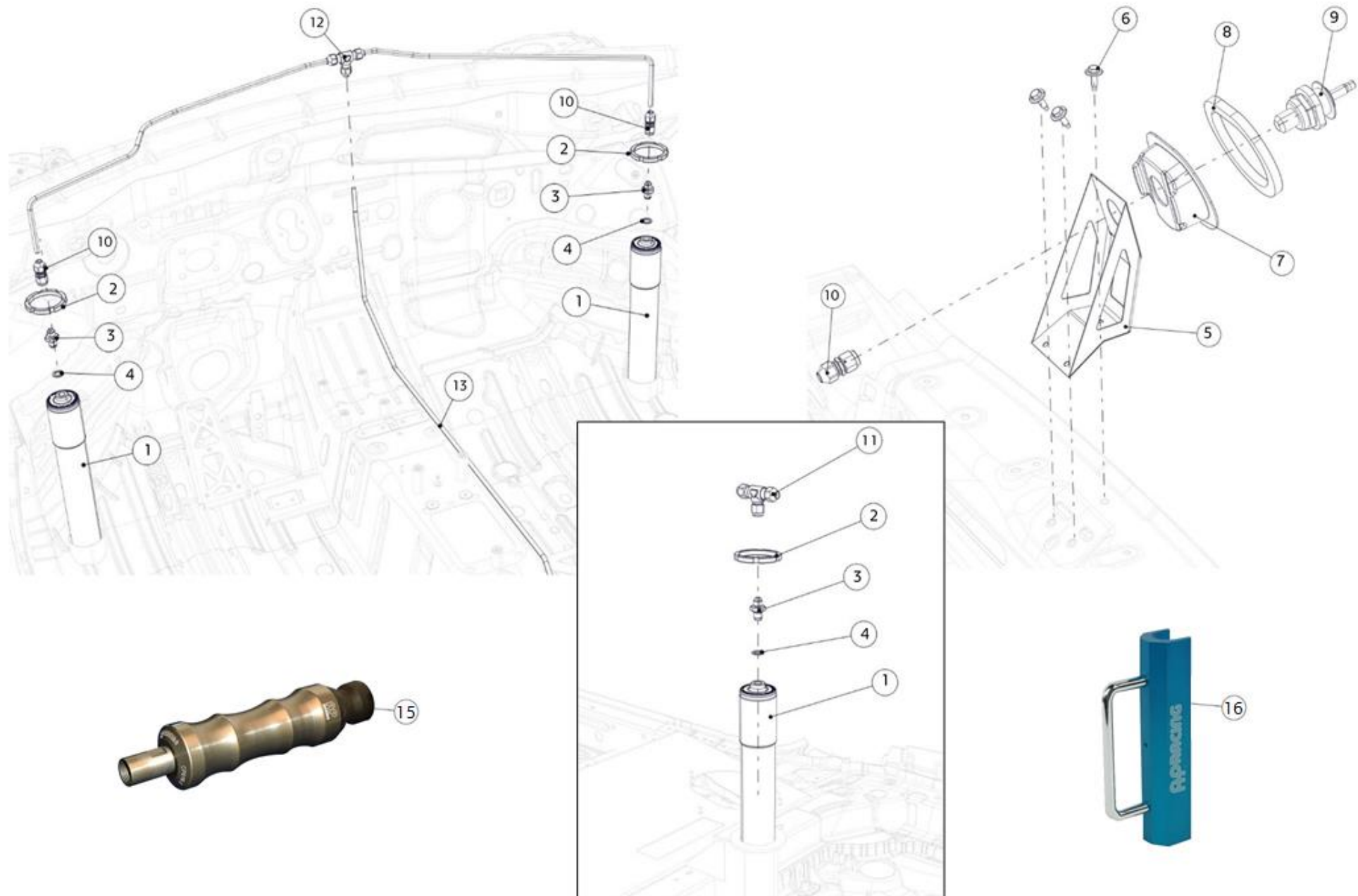
G11 – Pédalier – Pedal Box



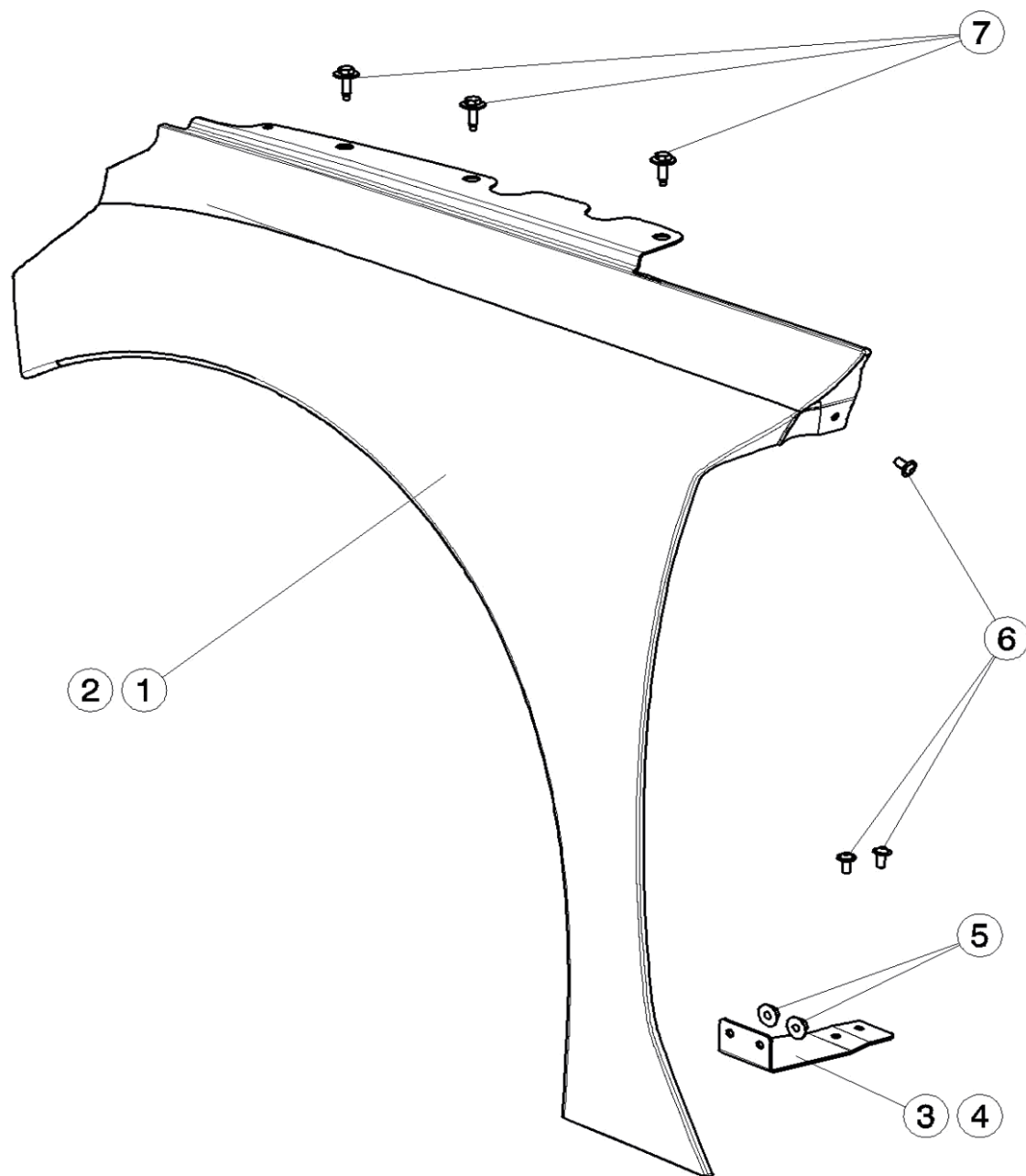
G11 – Pédalier – *Pedal Box*



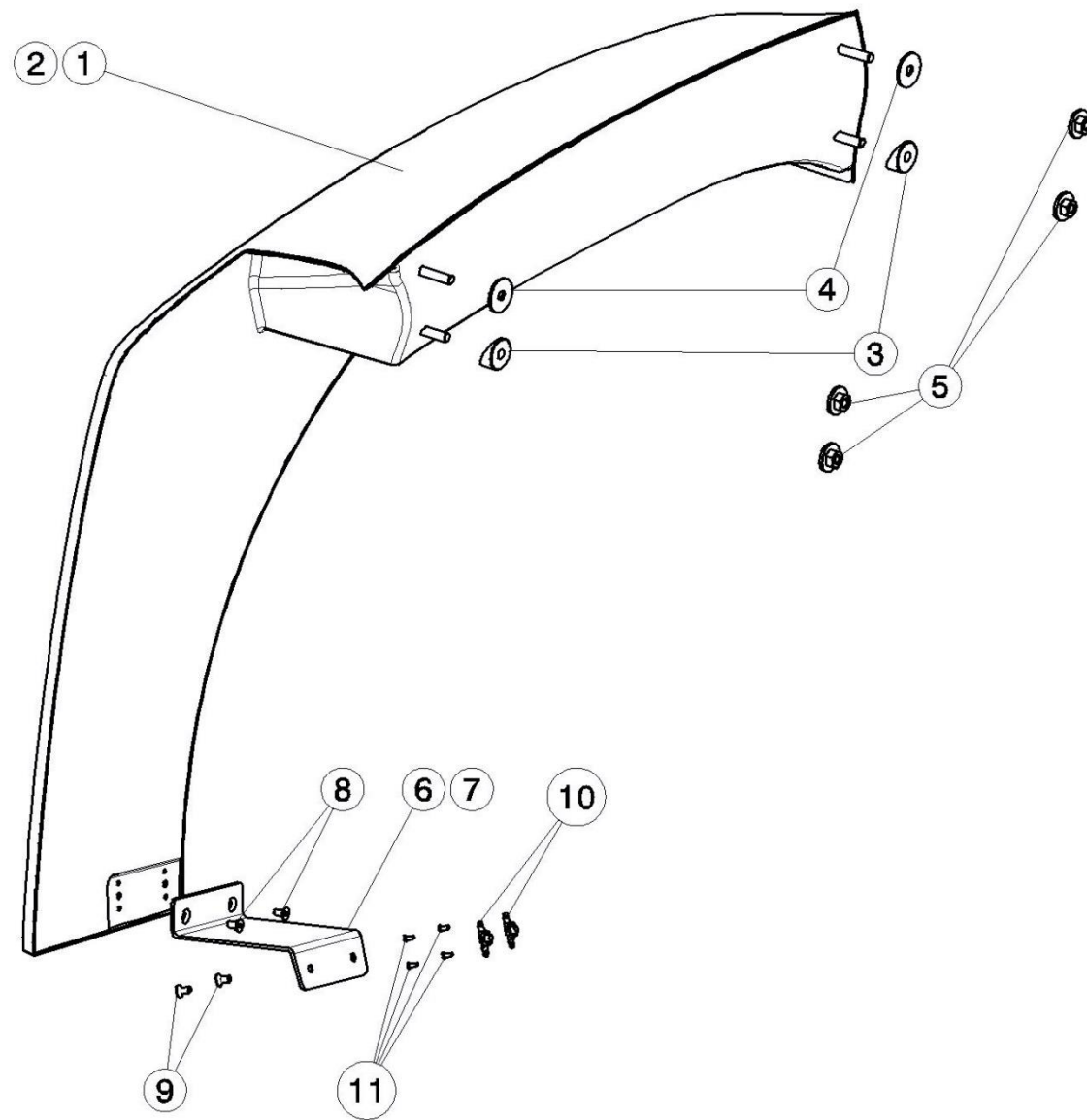
H11 – Circuit de levage – *Lifting system*



K3C – Ailes Avant – *Front fenders*



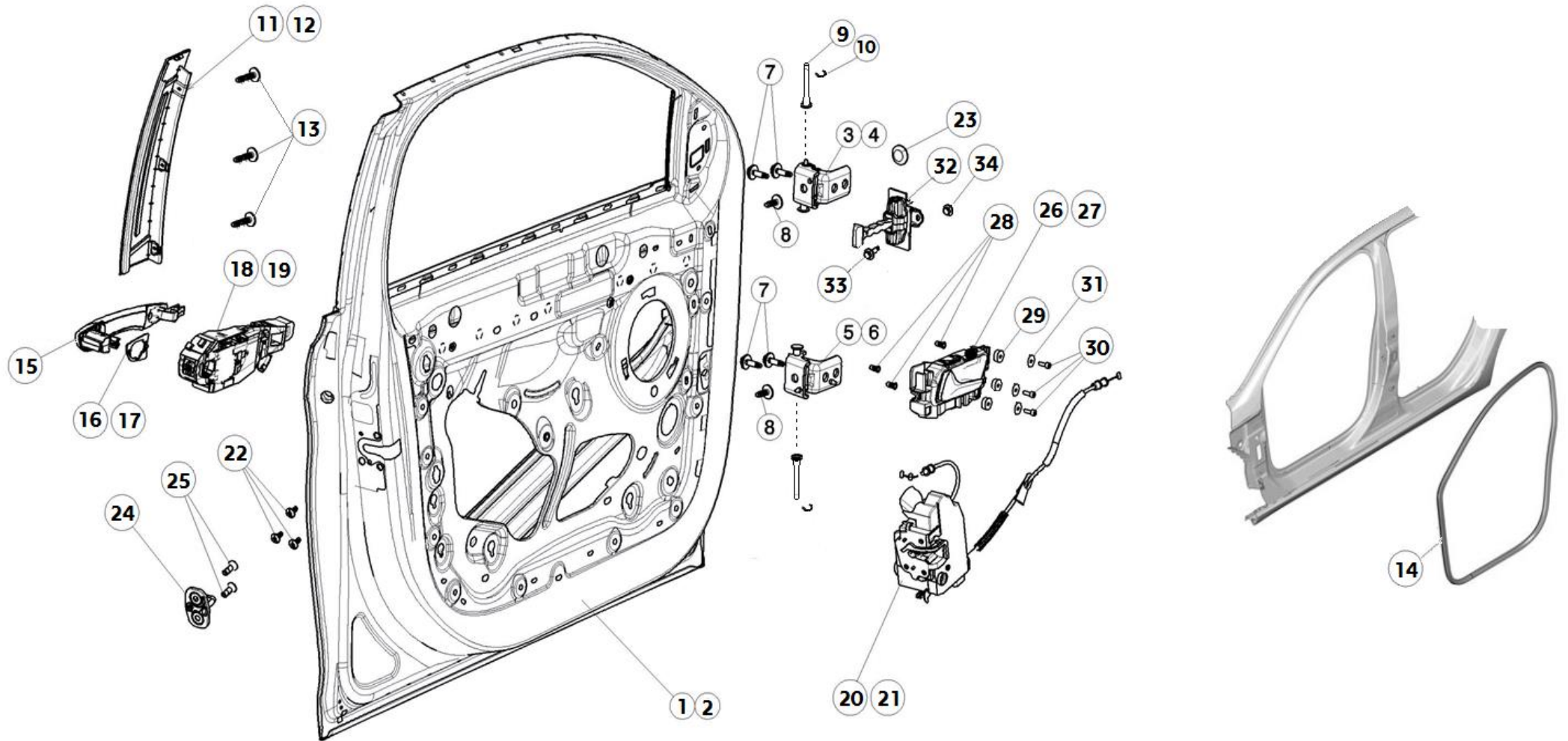
K4E – Ailes Arrière – *Rear Wings*



REP	REFERENCE	QTE	DESIGNATION
1	904474328C	1	Aile ARG TCR <i>Rear Left Wing</i>
2	904474338C	1	Aile ARD TCR <i>Rear Right Wing</i>
3	904605008A	4	Bobine Fixation Aile AR <i>Rear Wing Fastening Reel</i>
4	PS86050A10	4	Rondelle 6x22x1.5 <i>Washer 6x22x1.5</i>
5	6939-97	8	Écrou RDL M6x7x18 <i>Nut with Washer M6x7x18</i>
6	904480118B	1	Ailette Aile ARG <i>Rear Left Wing Fin</i>
7	904480128B	1	Ailette Aile ARD <i>Rear Right Wing Fin</i>
8	PS85556A10	8	Vis FHc/90° M4x8 <i>Screw FHC M4-8</i>
9	PS85125A10	4	Vis FHc M4x12 <i>Screw FHC M4-12</i>
10	PS74674A10	4	Écrou prisonnier D4 <i>Captive Nut M4</i>
11	PS92617A10	8	Rivet TF alu Ø2,4x6 <i>TF D2,4x6 Rivet</i>
12	PS82634A10	4	VIS ULF M5x12 <i>Screw FHC M5-12</i>
13			
14			
15			
16			
17			

REP	REFERENCE	QTE	DESIGNATION
18			
19			
20			
21			
22			
23			
24			
25			
26			
27			
28			
29			
30			
31			
32			
33			
34			

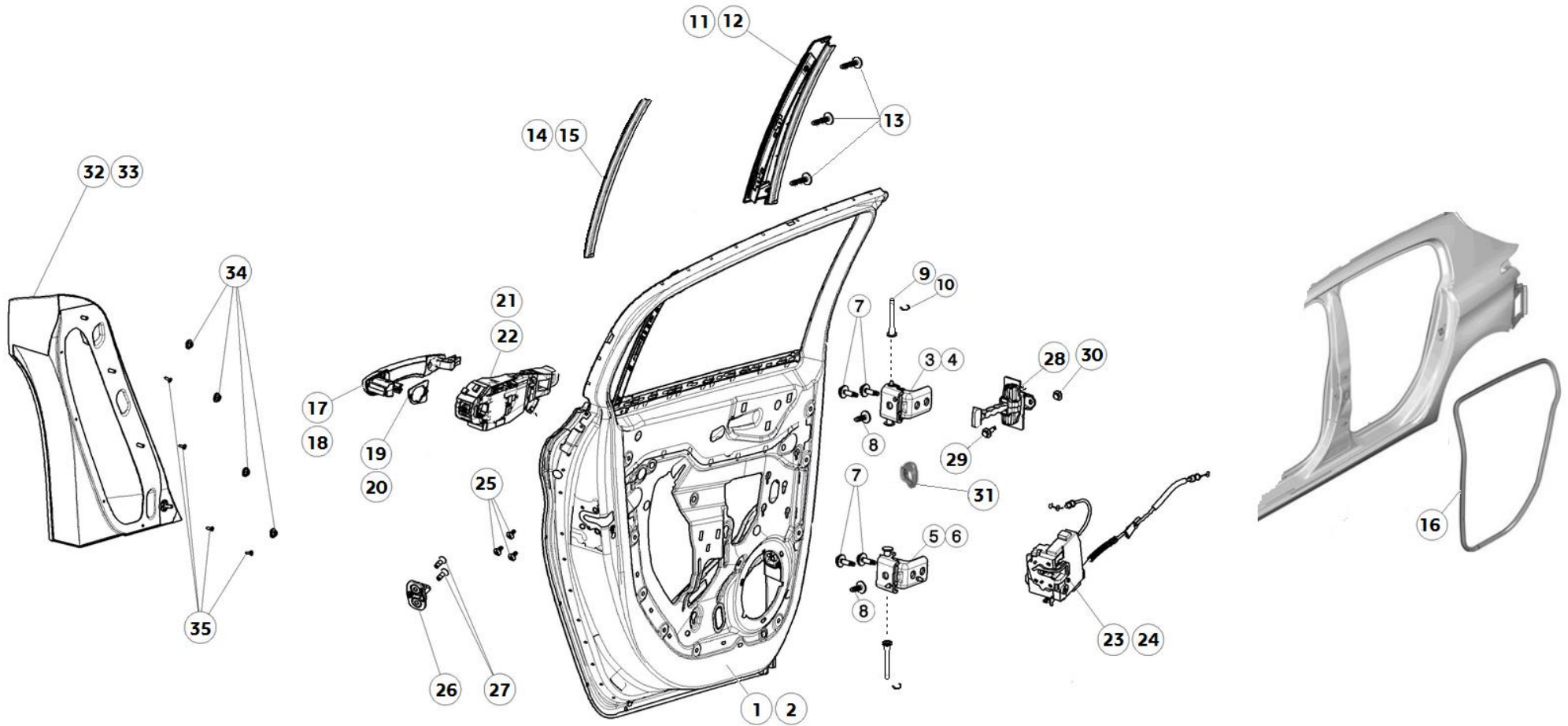
K7A-1 – Portes Avant – Front Doors



REP	REFERENCE	QTE	DESIGNATION
1	1610102080	1	Porte AVG Front Left Door
2	1610102180	1	Porte AVD Front Right Door
3	9671886980	1	Charnière de Porte Sup G Left door upper hinge
4	9671886880	1	Charnière de Porte Sup D Right door upper hinge
5	9671887180	1	Charnière de Porte Inf G Left door lower hinge
6	9671887080	1	Charnière de Porte Inf D Right door lower hinge
7	9674550680	8	Vis H M8x125-30 Hex screw M8x125-30
8	6924 F5	4	Vis RLX M8x125-26 RLX screw M8x125-26
9	9673328180	4	Axe charnière Hinge Axis
10	9044-44	4	Clip de maintien Holding clip
11	9678187080	1	Enjoliveur AVG Front left trim
12	9678186980	1	Enjoliveur AVD Front right trim
13	6973-05	6	Rivet aveug 4,8 l8,9 Rivet 4,8x8
14	9677519680	2	Joint entree de porte Door Entry Seal
15	1609239680	2	Poignée ouverture ext. D Right Door Handle
16	9802977780	1	Embase de poignée G Left handle base
17	9802977680	1	Embase de poignée D Right handle base
18	9802977380	1	Étrier de fixation poignée porte G Left door handle holder

REP	REFERENCE	QTE	DESIGNATION
19	9802977180	1	Étrier de fixation poignée porte D Right door handle holder
20	9810309480	1	Serrure de porte G Left door lock
21	9810309380	1	Serrure de porte D Right door lock
22	9675768080	6	Vis de fix de serrure de porte Door lock mounting screw
23	6988-58	2	Obturateur D20-3-10 Plug D20-3-10
24	9676066180	2	Gâche de serrure de porte Door Lock Striker
25	9678660980	4	Vis FX M8x125 L25 Screw FX M8x125 L25
26	98000001VV	1	Commande int. ouvert. porte G Left door opening internal control
27	98000000VV	1	Commande int. ouvert. porte D Right door opening internal control
28	PS90526A10	6	Rivkle D5-15 Crimping nut D5-15
29	904446848A	3	Entretoise COI COI spacer
30	PS82118A10	6	Vis CHC M5-15 Socket screw M5-15
31	PS86045A10	6	Rondelle plate Ø5x12-1,25 Washer M5x12
32	9677466980	2	Arrêt de porte AV Front door stop
33	9678268380	4	VIS H RCN VIS DIAM 8 Screw M8
34	1611567380	4	Vis A EMBASE 6X100-6-10 Collar Nut M6
35	PS82007A10	2	Vis CHC M5x20 Screw M5

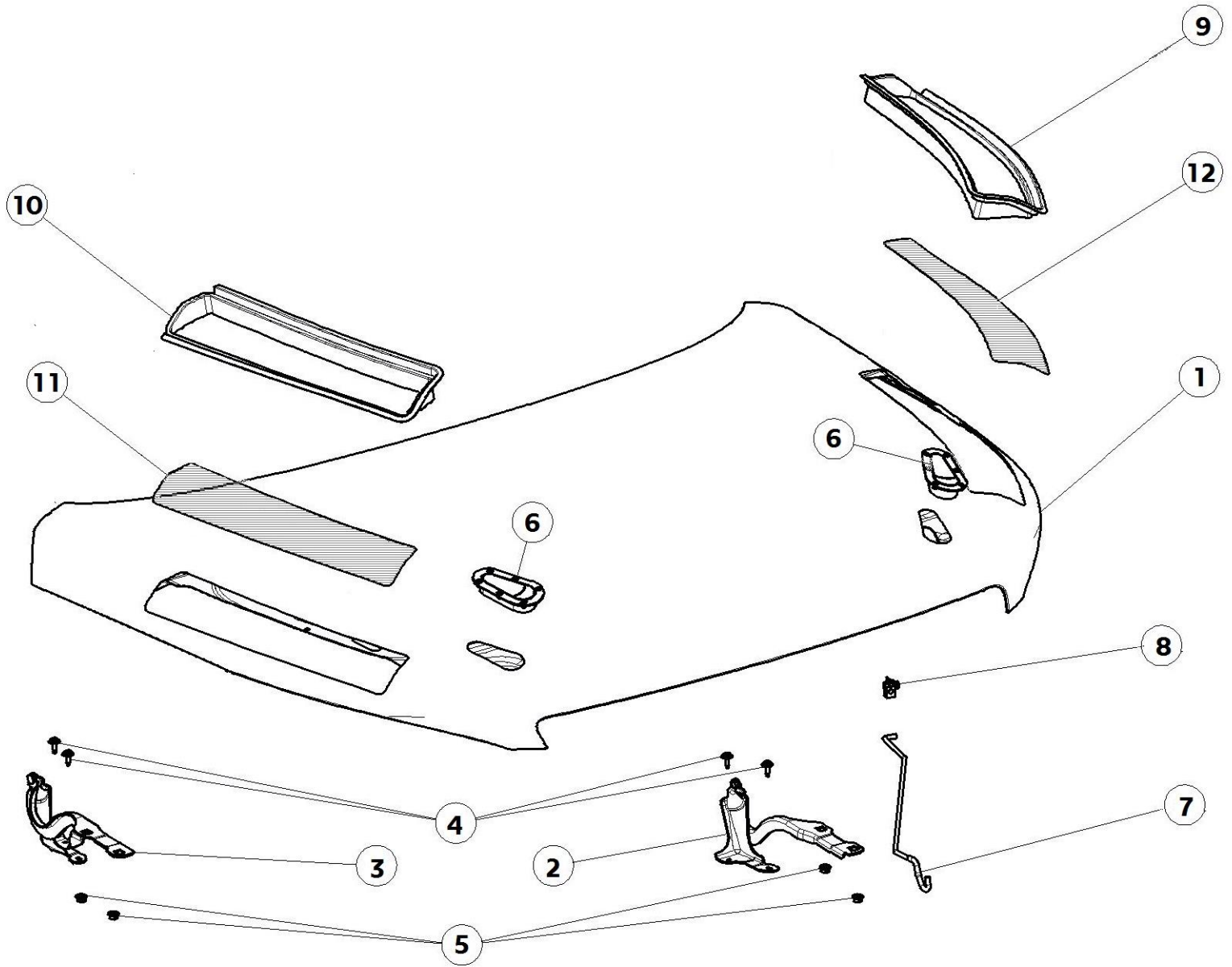
K7A-2 – Portes arrière – *Rear doors*



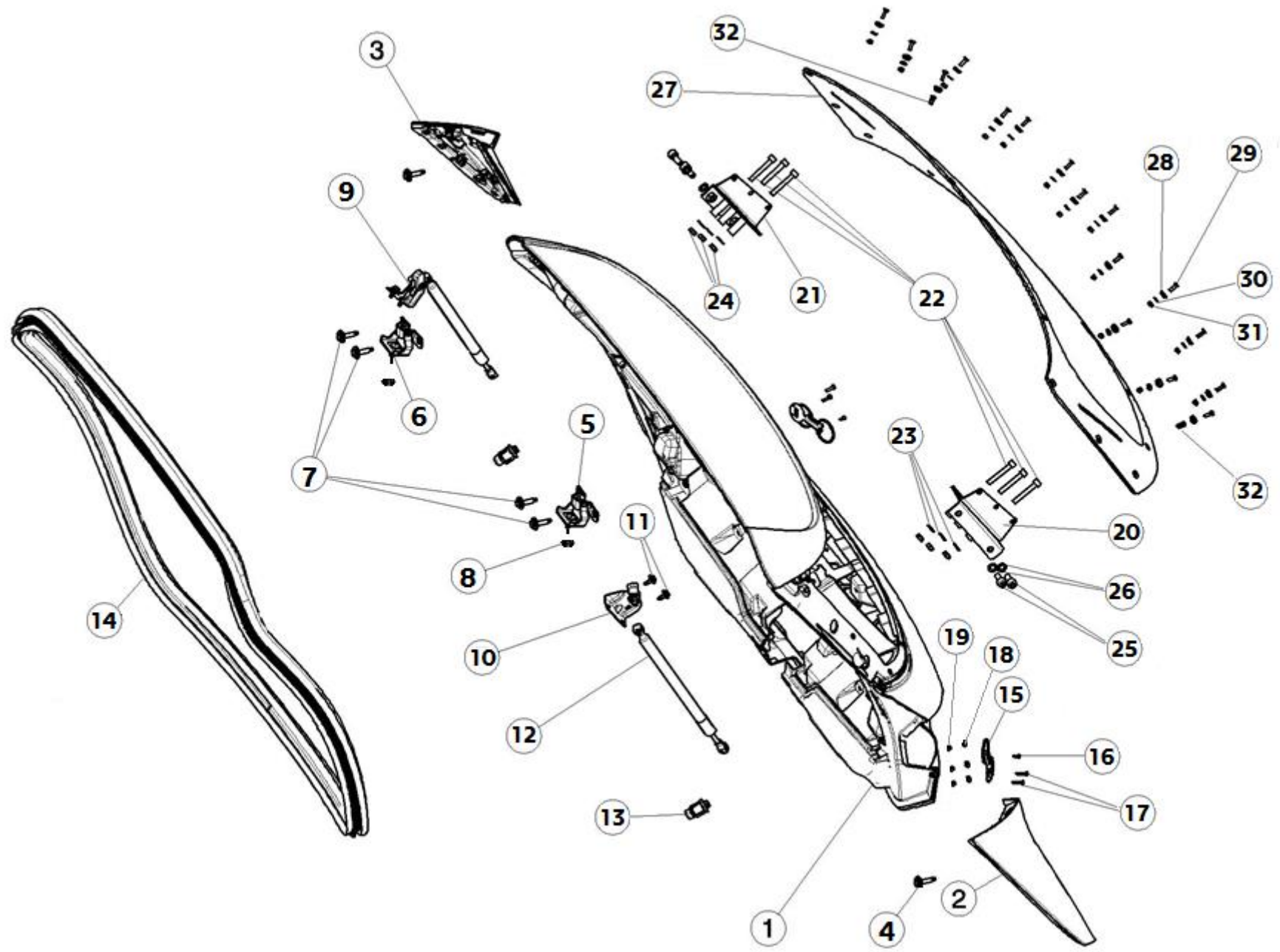
REP	REFERENCE	QTE	DESIGNATION
1	9802165680	1	Porte ARG Rear left door
2	9802165580	1	Porte ARD Rear right door
3	9671886980	1	Charnière de Porte Sup G Left door upper hinge
4	9671886880	1	Charnière de Porte Sup D Right door upper hinge
5	9671887180	1	Charnière de Porte Inf G Left door lower hinge
6	9671887080	1	Charnière de Porte Inf D Right door lower hinge
7	9674550680	8	Vis H M8x125-30 Hex screw M8x125-30
8	6924F5	4	Vis RLX M8x125-26 RLX screw M8x125-26
9	9673328180	4	Axe charnière Hinge Axis
10	9044-44	4	Clip de maintien Holding clip
11	9678182680	1	Enjoliveur ARG Rear left trim
12	9677919480	1	Enjoliveur ARD Rear right trim
13	6973-05	6	Rivet aveug 4,8 l8,9 Rivet 4,8x8
14	96779316XT	1	Enjoliveur guide coulisse g Left slide guide trim
15	96779315XT	1	Enjoliveur guide coulisse d Right slide guide trim
16	9677519980	2	Joint entree de porte ar Rear Door Entry Seal
17	980297831T	1	Poignée de porte ARG Left Door Handle
18	980297821T	1	Poignée de porte ARD Right Door Handle

REP	REFERENCE	QTE	DESIGNATION
19	9802977780	1	Embase de poignée G Left handle base
20	9802977680	1	Embase de poignée D Right handle base
21	9802977380	1	Étrier de fixation poignée porte G Left door handle holder
22	9802977180	1	Étrier de fixation poignée porte D Right door handle holder
23	9810309980	1	Serrure de porte ARG Left Door Lock
24	9810309880	1	Serrure de porte ARD Right Door Lock
25	9675768080	6	Vis de fix de serrure de porte Door lock mounting screw
26	9676066180	2	Gâche de serrure de porte Door Lock Striker
27	9678660980	4	Vis FX M8x125 L25 Screw FX M8x125 L25
28	9677467280	2	Arrêt de porte door stopper
29	9678268380	4	VIS H RCN VIS DIAM 8 Screw M8
30	1611567380	4	Vis A EMBASE 6X100-6-10 Collar Nut M6
31	9800996580	2	Soufflet etancheite de porte Door Dust Cap
32	904474308B	1	Élargisseur porte ARG Rear Left Door Extension
33	904474318B	1	Élargisseur porte ARD Rear Right Door Extension
34	6939-97	8	Écrou RDL M6x7x18 Nut with washer M6x7x18
35	PS82629A10	8	Vis ULF M4x12 Screw ULF M4-12
36	PS74674A10	8	Ecrou prisonnier D4 Simmonds Simmons floating nut

K7B – Capot Avant – Bonnet



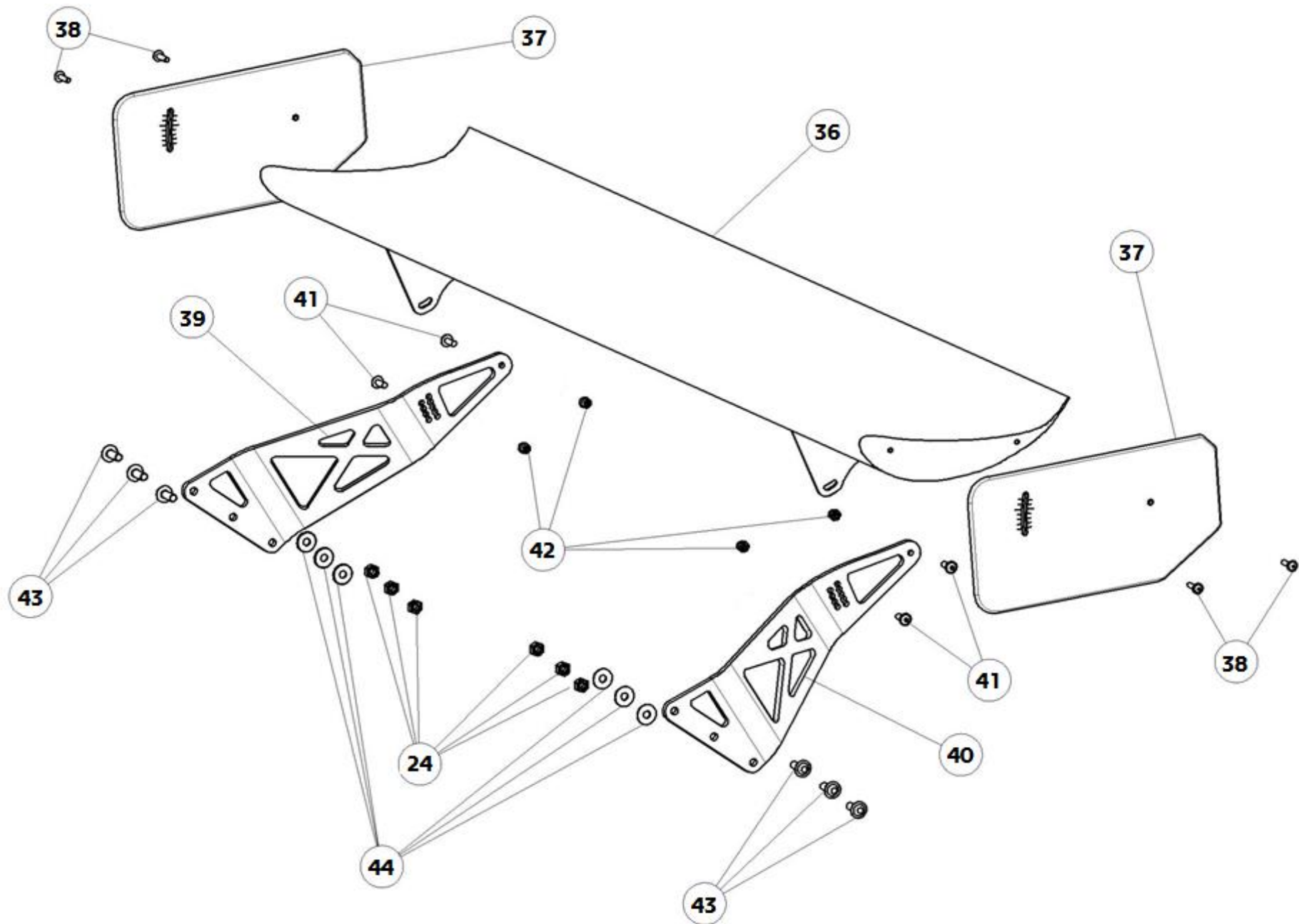
K7C – Volet Arrière – Tailgate



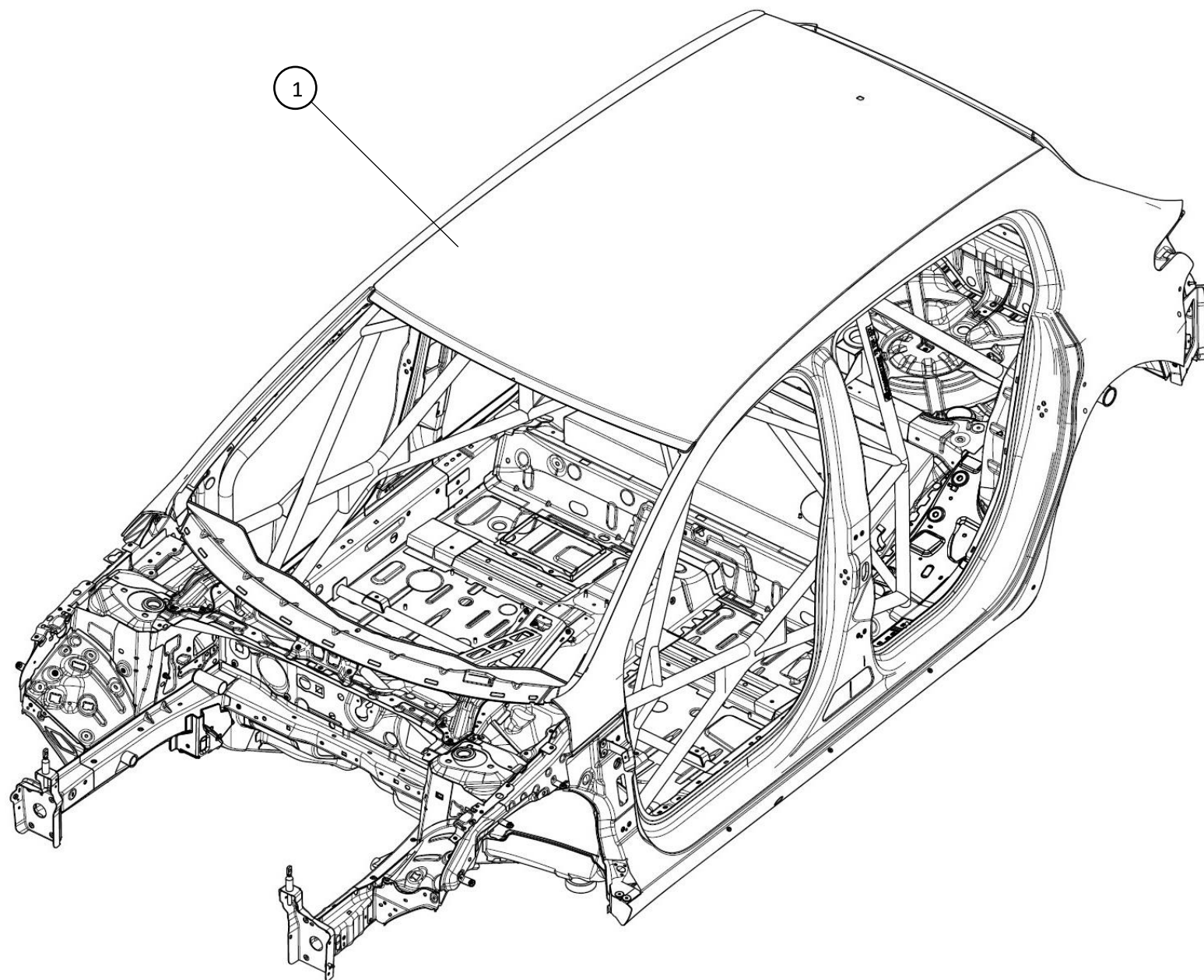
REP	REFERENCE	QTE	DESIGNATION
1	1610669880	1	Volet AR Tailgate
2	96779567XT	1	Déflexeur G <i>Left deflector</i>
3	96779565XT	1	Déflexeur D <i>Right deflector</i>
4	6924H2	4	Vis TH RDL M6x100-20 <i>Hex screw with washer M6x100-20</i>
5	9678795880	1	Charnière de volet AR G <i>Left tailgate hinge</i>
6	9677830180	1	Charnière de volet AR D <i>Right tailgate hinge</i>
7	9023YG	4	Vis M8x25 <i>Screw M8x25</i>
8	8726K4	2	Mul ecrou autofreine 8x125 <i>Locking Nut M8</i>
9	9814821980	1	Support équilibreur volet AR G <i>Left tailgate prop bracket</i>
10	9814821880	1	Support équilibreur volet AR D <i>Right tailgate prop bracket</i>
11	6922H2	4	Vis TH RDL M6x100-20 <i>Hex screw with washer M6x100-20</i>
12	9807899380	2	Équilibreur de volet AR <i>Tailgate prop</i>
13	9811411180	2	Butée réglable <i>Adjustable stop</i>
14	9802963280	1	Joint de volet AR <i>Tailgate seal</i>
15	RC7919967A	1	Jeu d'attaches capot <i>Bonnet fixing kit</i>
16	PS82652A10	2	Vis ULS M4x10 <i>Screw ULS M4-10</i>
17	PS82631A10	4	Vis ULF M4x20 <i>Screw ULF M4-20</i>
18	PS86546A10	6	Rondelle plate Ø4x10-0,8 <i>Washer M4-10</i>

REP	REFERENCE	QTE	DESIGNATION
19	PS74052A10	6	Ecrou frein Hm M4 Locking Nut M4
20	904419998C	1	Support aileron AR G <i>Left spoiler mount</i>
21	904414448C	1	Support aileron AR D <i>Right spoiler mount</i>
22	PS82134A10	6	CHC M8x60 <i>Screw M8-60</i>
23	PS86019A10	6	Rondelle 8x18x1.5 <i>Washer 8x18-1.5</i>
24	6936-75	12	Écrou frein M8 <i>Self-locking nut M8</i>
25	PS82094A10	4	Vis CHC M10x25 <i>Socket screw M10-25</i>
26	PS86008A10	4	Rondelle Onduflex diam. 10 <i>Onduflex Washer D10</i>
27	904427268E	1	Lunette AR polycarbonate <i>Polycarbonate tailgate window</i>
28	904423958A	16	Insert lame <i>Insert</i>
29	PS85127A10	16	Vis FHC M5-18 <i>Screw FHC M5-18</i>
30	PS86045A10	14	Rondelle 5-12 <i>Washer 5x12</i>
31	6939-01	14	Écrou frein M5 <i>Self-locking nut M5</i>
32	PS90526A10	2	Rivkle D5-15 <i>Rivkle nut D5 L15</i>
33	904453598A	1	Plaque obturateur hayon <i>Number plate light shutter</i>
34	PS92582A10	6	Rivet D4x12 Alu <i>Alu pop d4x12 rivet</i>
35	98057002VD	1	Monogramme marque <i>Tailgate badge</i>

K7C – Volet Arrière – Tailgate



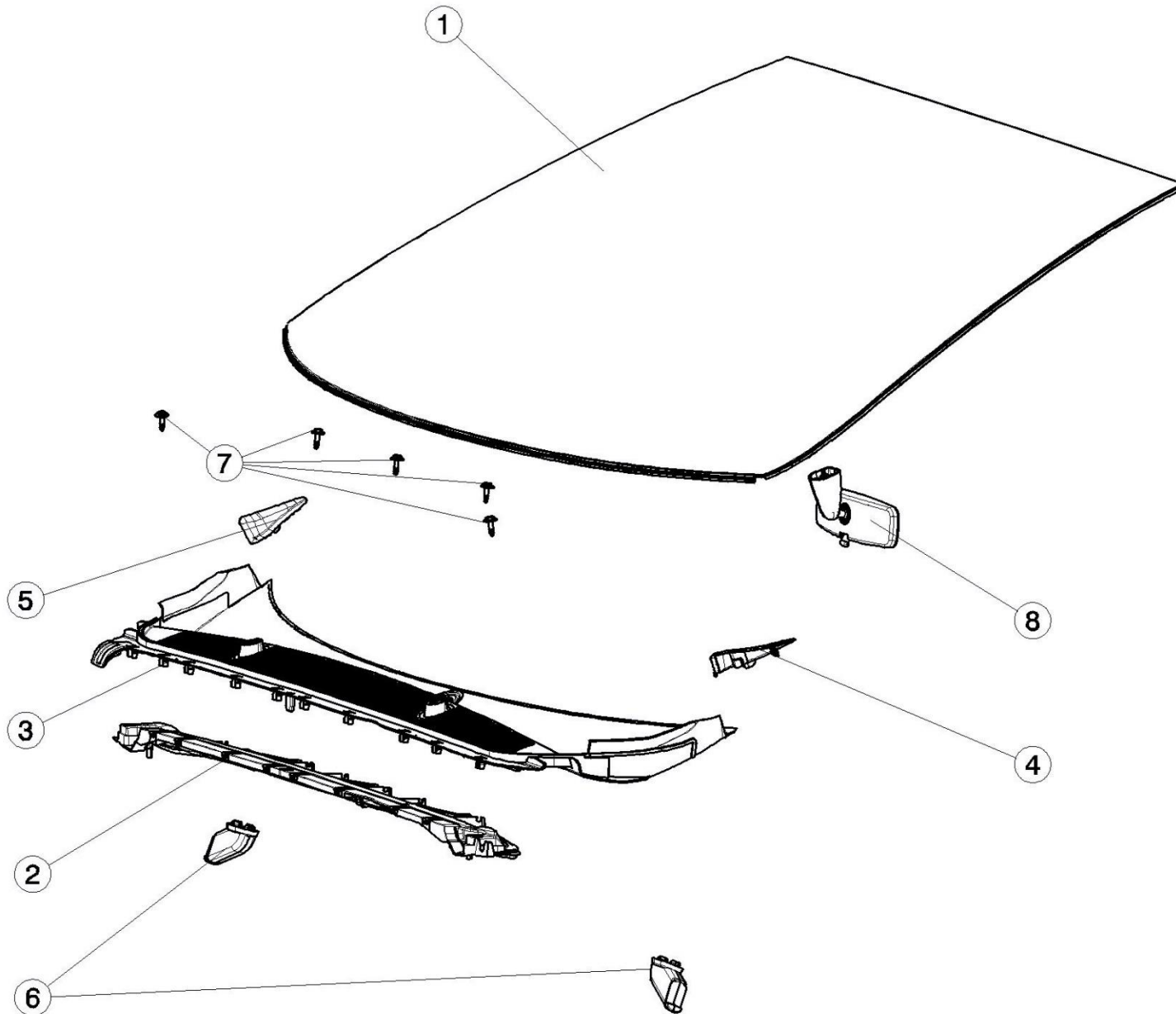
K9A – Caisse – *Bodyshell*



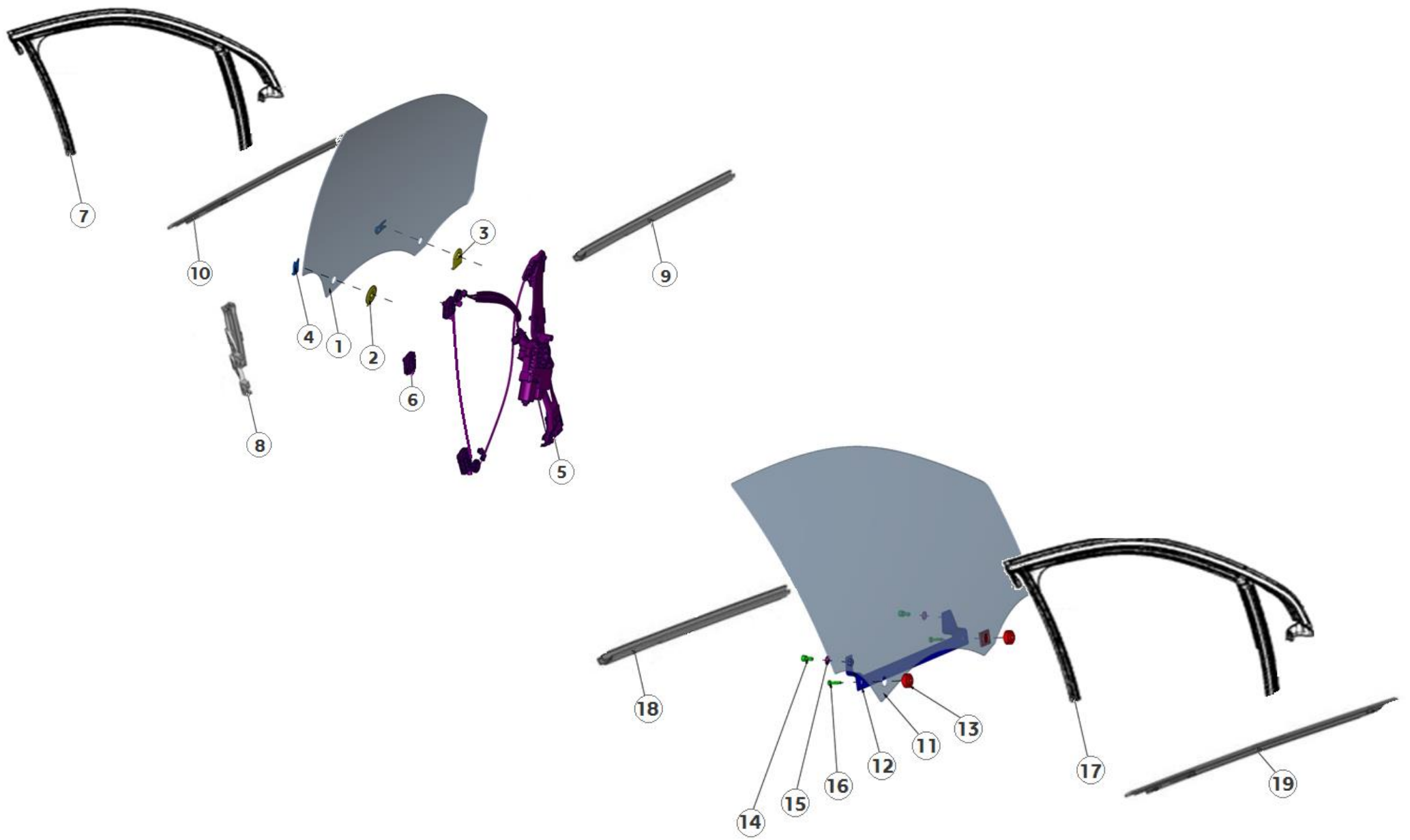
REP	REFERENCE	QTE	DESIGNATION
1	904482338G	1	Coque 308 TCR Arceauté Bodyshell 308 TCR
2	9802827280	2	Obturateur Plug
3	8335VP	17	Obturateur D35 Plug D35
4	643868	1	Obturateur D8-12 Plug D8-12
5	7518WQ	6	Obturateur D35 Plug D35
6	1579X0	2	Obturateur D20 ep. 6,5 Plug D20 th 6.5
7	646272	4	Obturateur D14 Plug D14
8	6988-58	7	Obturateur D20-3-10 Plug D20-3-10
9	6983-42	2	Obturateur D12-7,5 Plug D12-7,5
10	7518A8	1	Obturateur pied entrée AR 12x16 Rear Entrance Post Plug
11	7518G6	8	Obturateur 18x40 Plug 18x40
12	7518-57	4	Obturateur D18-9 Plug D18-9
13	7518J4	2	Obturateur 28x48 Plug 28x48
14	7518L6	6	Obturateur 20x20 Plug 20x20
15	7518H2	2	Obturateur 20x50 Plug 20x50
16	833650	4	Obturateur D30 Plug D30
17	698852	2	Obturateur 37X65 Plug 37x65

REP	REFERENCE	QTE	DESIGNATION
18	6991G8	1	Passe gaine Gromet
19	6987-78	12	Passe fil Ø6x33,5-26 Gromet 6x33.5-26
20	904484598A	1	Plaque isolant thermique Ep3mm Heatshield protection 3mm
21	PS82639A10	6	Vis ULF 6x16 Screw ULF M6-16
22	6939-04	10	Nylstop M6 M6 Nut
23	PS82017A10	2	Vis CHC M6X25 Socket Screw M6-25
24	7238ET	12	Écrou frein à embase M8-7-10 Collar Nut M8
25	PS74141A10	1	Rivkle M6 Rivkle Nut D6
26	8529FZ	2	Extracteur d'Air Air Puller
27	904438498B	1	plaque de lestage 2kg Ballast Plate 2kg
28	904438508B	1	plaque de lestage 5kg Ballast Plate 5kg
29	904438518B	1	plaque de lestage 10kg Ballast Plate 10kg
30	904438658B	1	plaque de lestage 15kg Ballast Plate 15kg

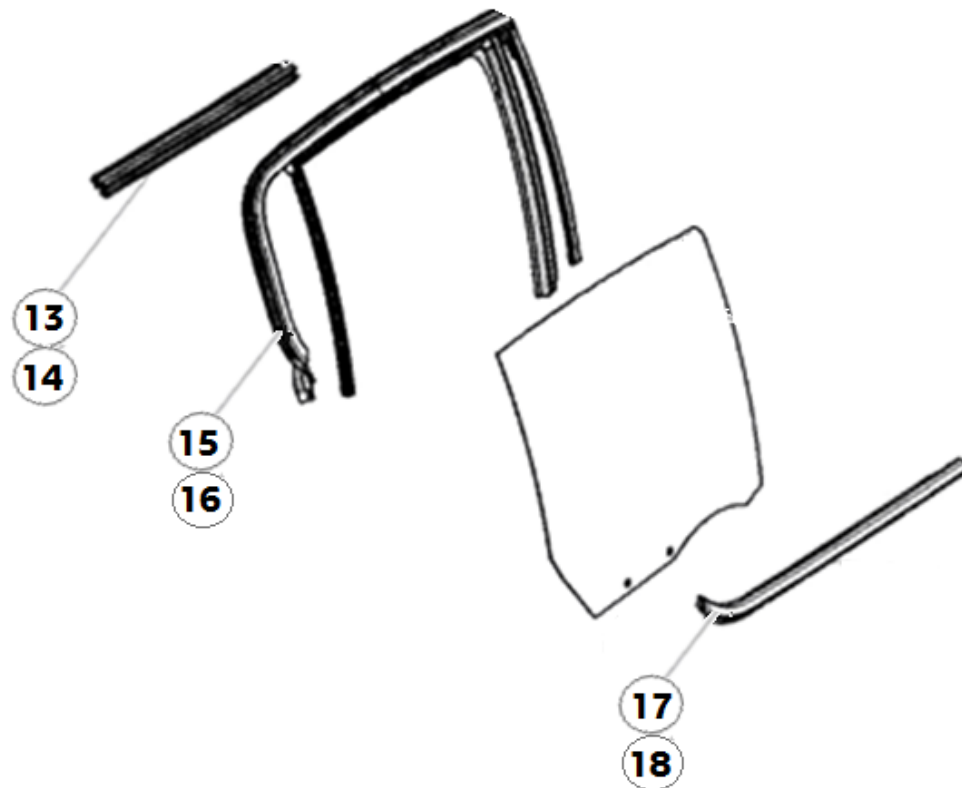
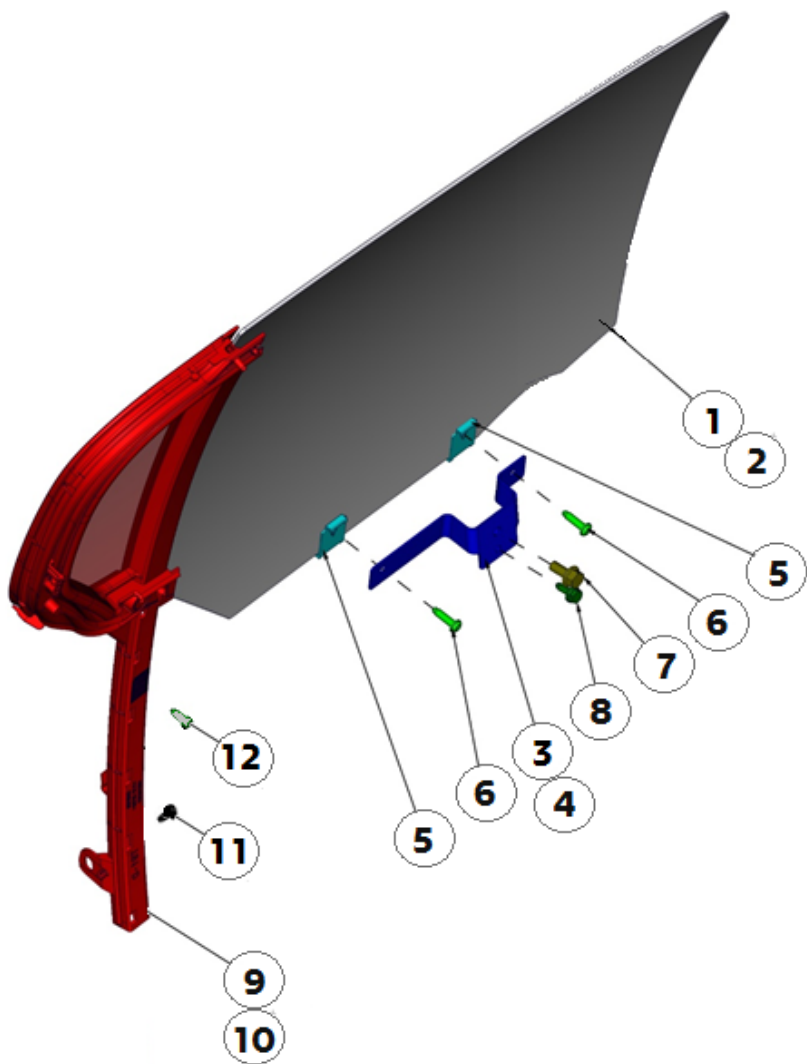
P1A – Pare-Brise – *Windscreen*



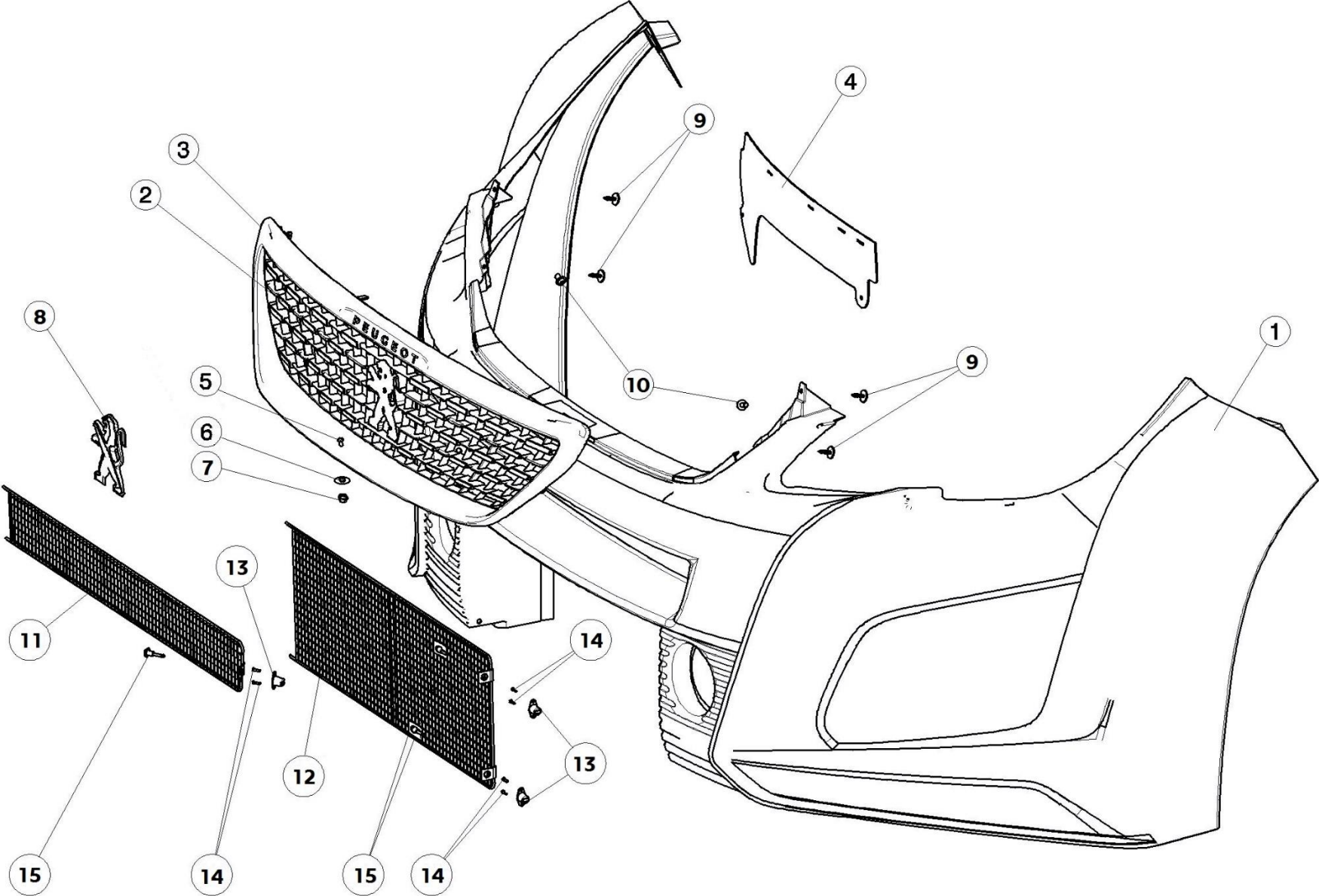
P1C-1 – Vitre portes avant – *Front Doors Window*



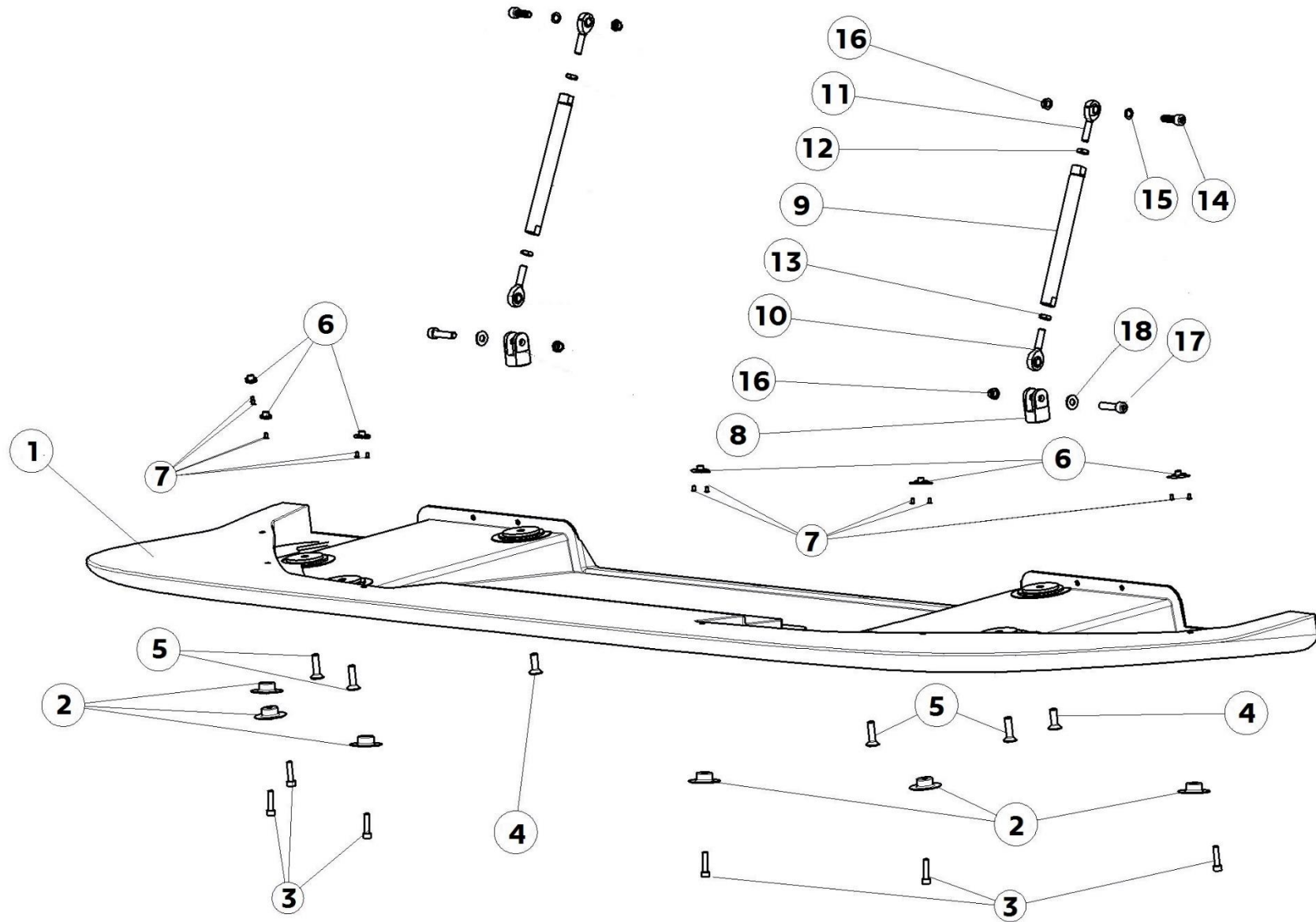
P1C-2 – Vitre portes arrière – *Rear Doors Window*



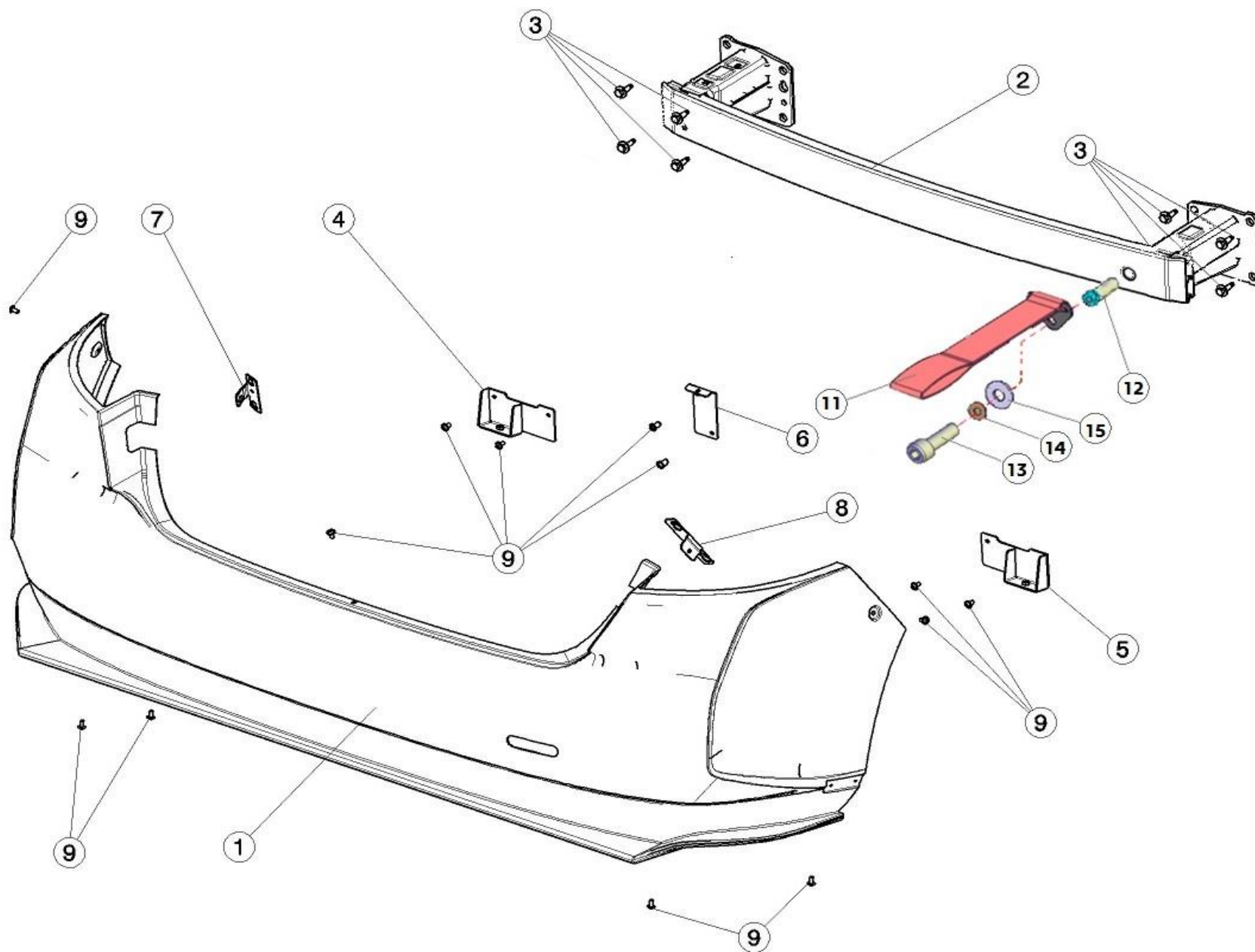
R1A-1 – Pare Choc Avant – Front Bumper



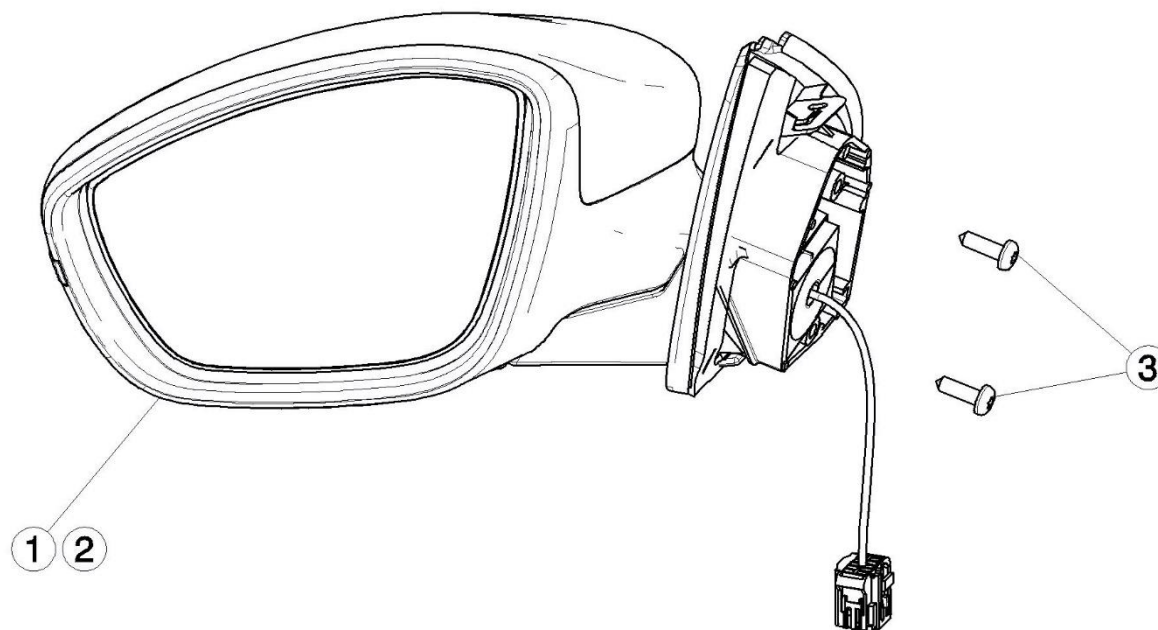
R1A-2 – Lame Avant – Front Splitter



R1B – Bouclier Arrière – Rear Bumper



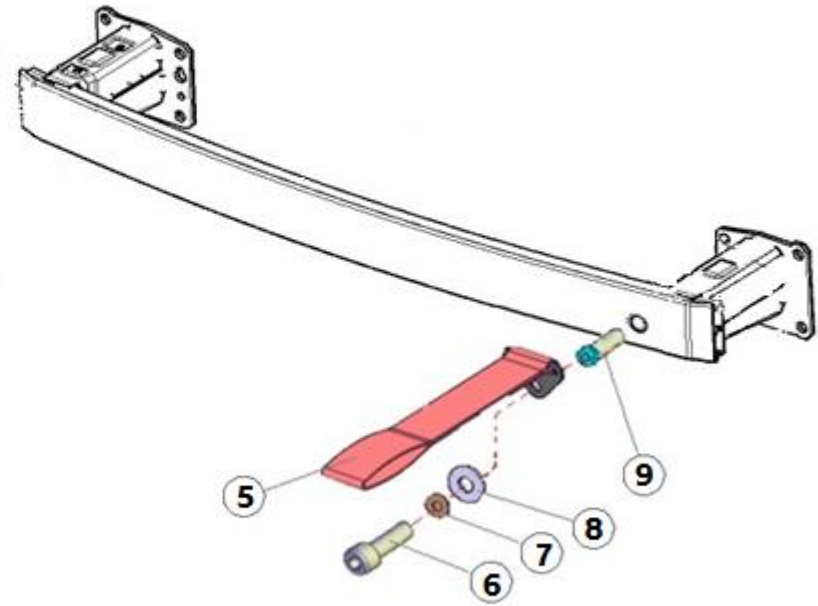
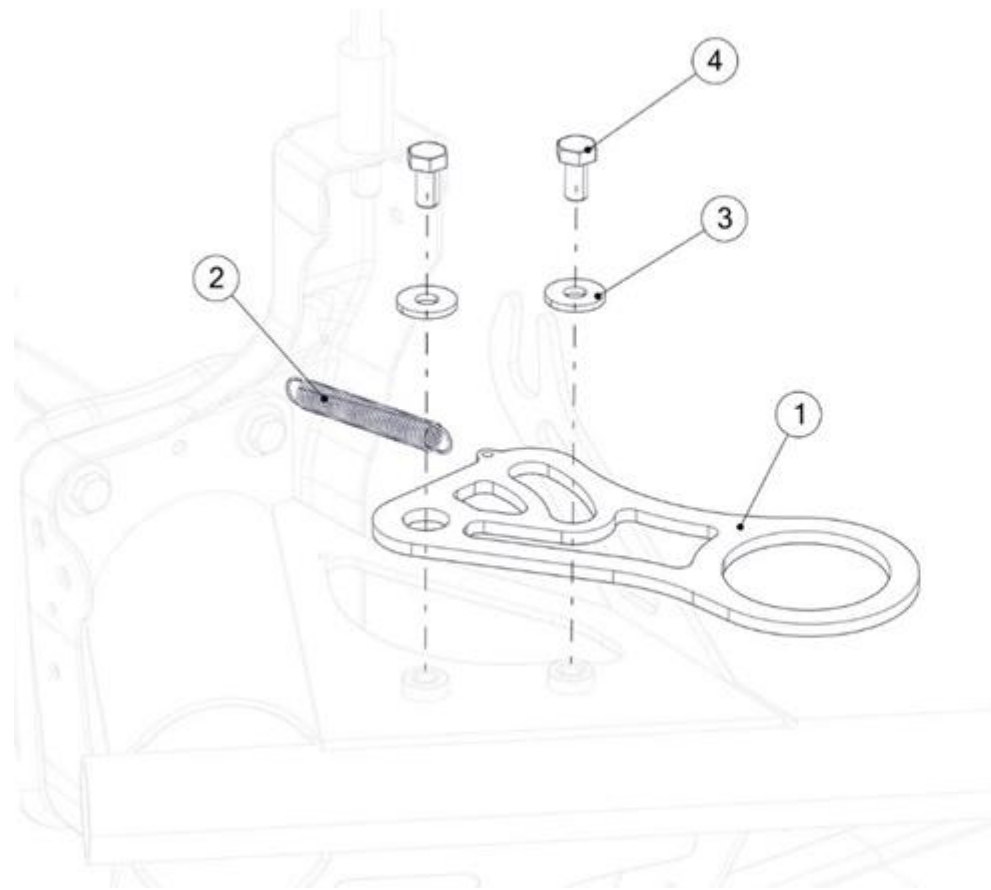
R5A – Rétroviseurs Extérieur – *Side Mirrors*



REP	REFERENCE	QTE	DESIGNATION
1	1611508980	1	Rétroviseur G <i>Left Wing Mirror</i>
2	1611508580	1	Rétroviseur D <i>Right Wing Mirror</i>
3	6924C1	4	Vis CBLX M6-20 <i>Screw CBLX M6-20</i>
4			
5			
6			
7			
8			
9			
10			
11			
12			
13			
14			
15			
16			
17			

REP	REFERENCE	QTE	DESIGNATION
18			
19			
20			
21			
22			
23			
24			
25			
26			
27			
28			
29			
30			
31			
32			
33			
34			

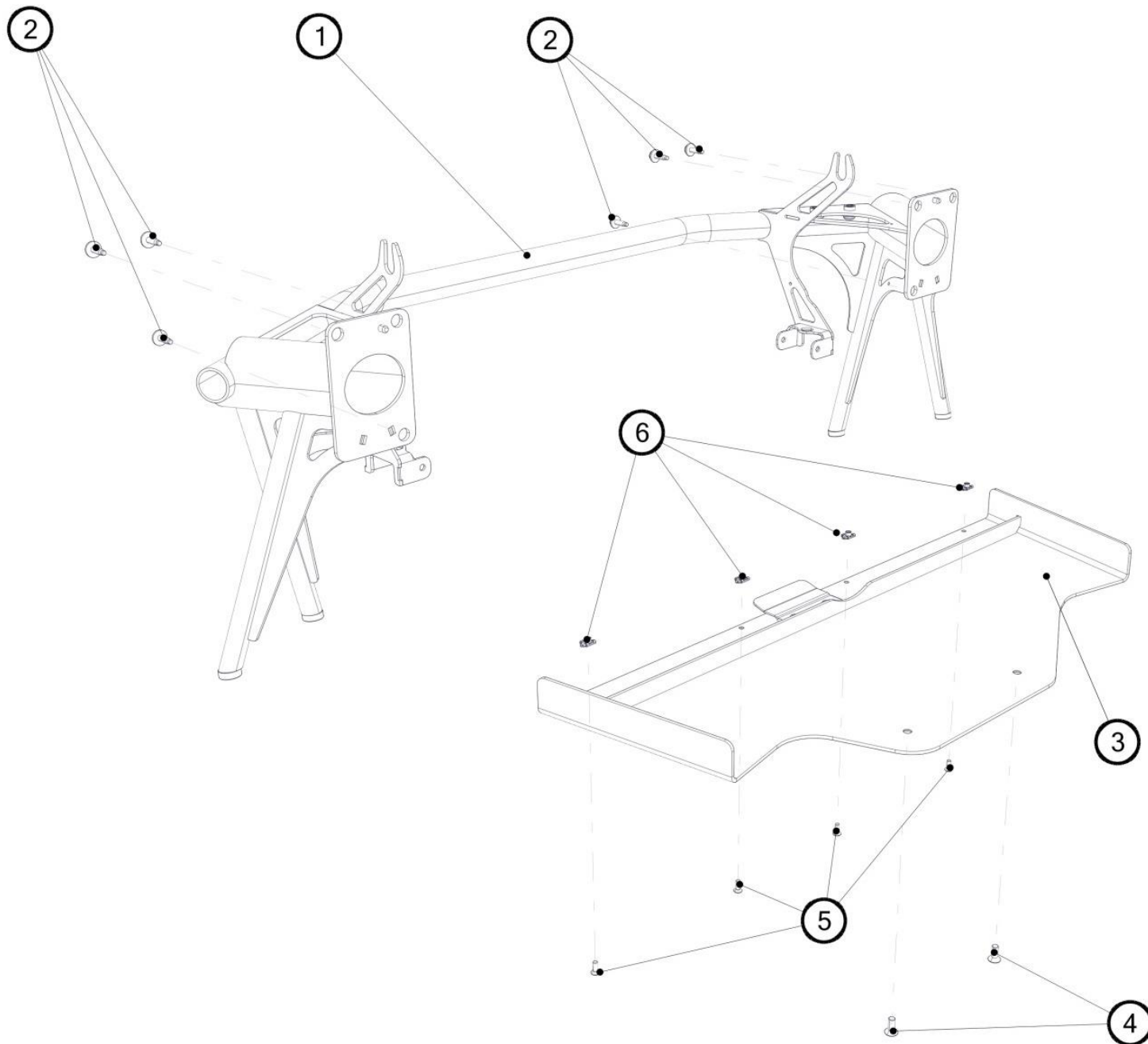
R5F – Anneaux Arrimage – *Towing Straps*



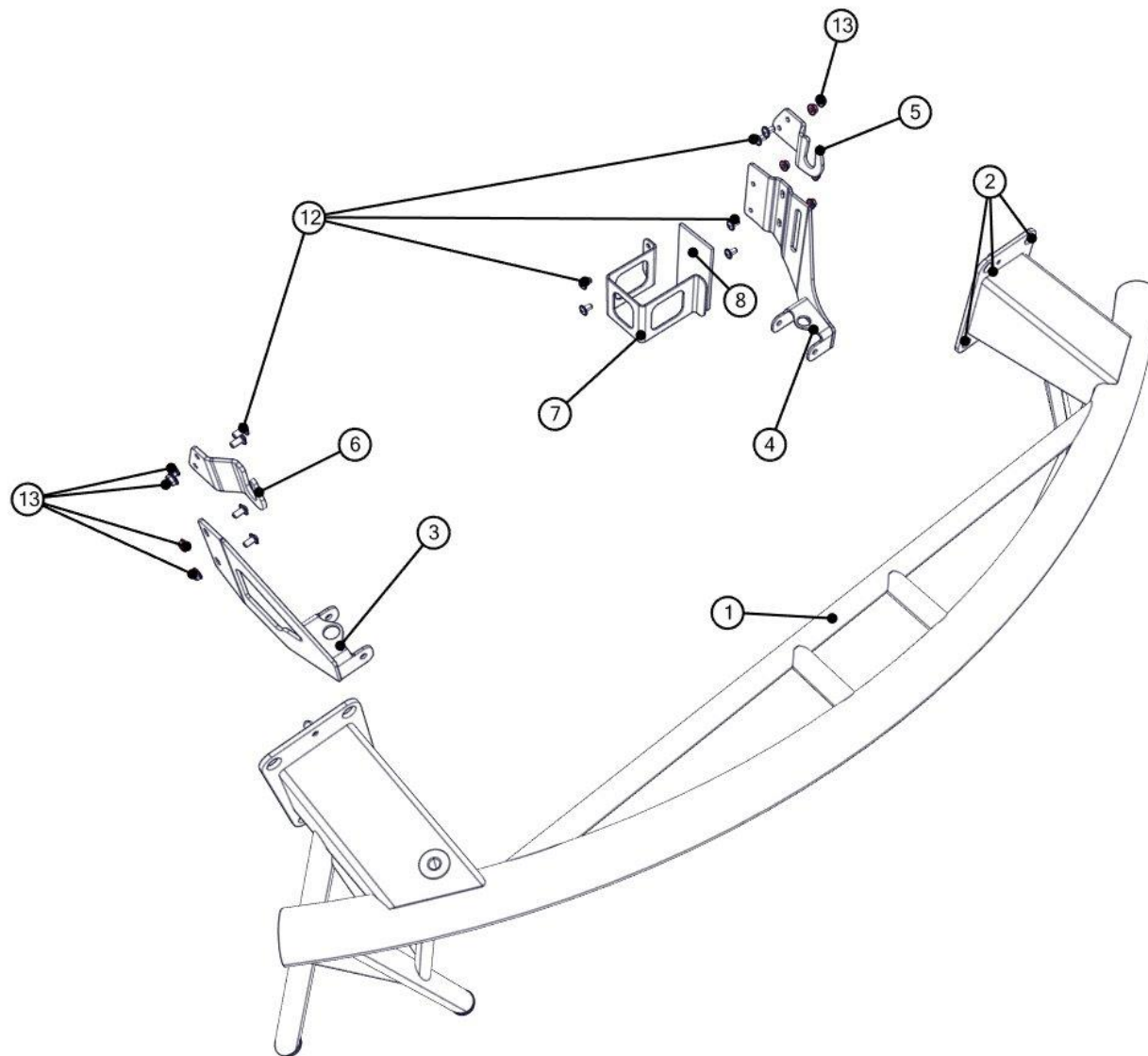
REP	REFERENCE	QTE	DESIGNATION
1	904601178B	1	Anneau Remorquage <i>Towing Eye</i>
2	ST04200020	1	Ressort Traction D12.5 L65 <i>Traction Spring D12.5 L65</i>
3	694779	2	Rondelle plate std 8x22-2.5 <i>Washer 8x22-2.5</i>
4	CS550034ST	2	Vis H M8x125-16 <i>Hex Screw M8x125-16</i>
5	01612RS	1	Sangle de Remorquage FIA <i>FIA Towing Strap</i>
6	PS82067A10	1	Vis CHC M12x175-40 <i>Socket Screw M12-40</i>
7	PS86006A10	1	Rondelle Ondulée Ø12 type A <i>Onduflex Washer D12</i>
8	6949-44	1	Rondelle Plate Ø12x27-2,5 <i>Washer Ø12x27-2,5</i>
9	904440908A		Vis anneau remorq ar <i>Rear Towing Ring Screw</i>
10			
11			
12			
13			
14			
15			
16			
17			

REP	REFERENCE	QTE	DESIGNATION
18			
19			
20			
21			
22			
23			
24			
25			
26			
27			
28			
29			
30			
31			
32			
33			
34			

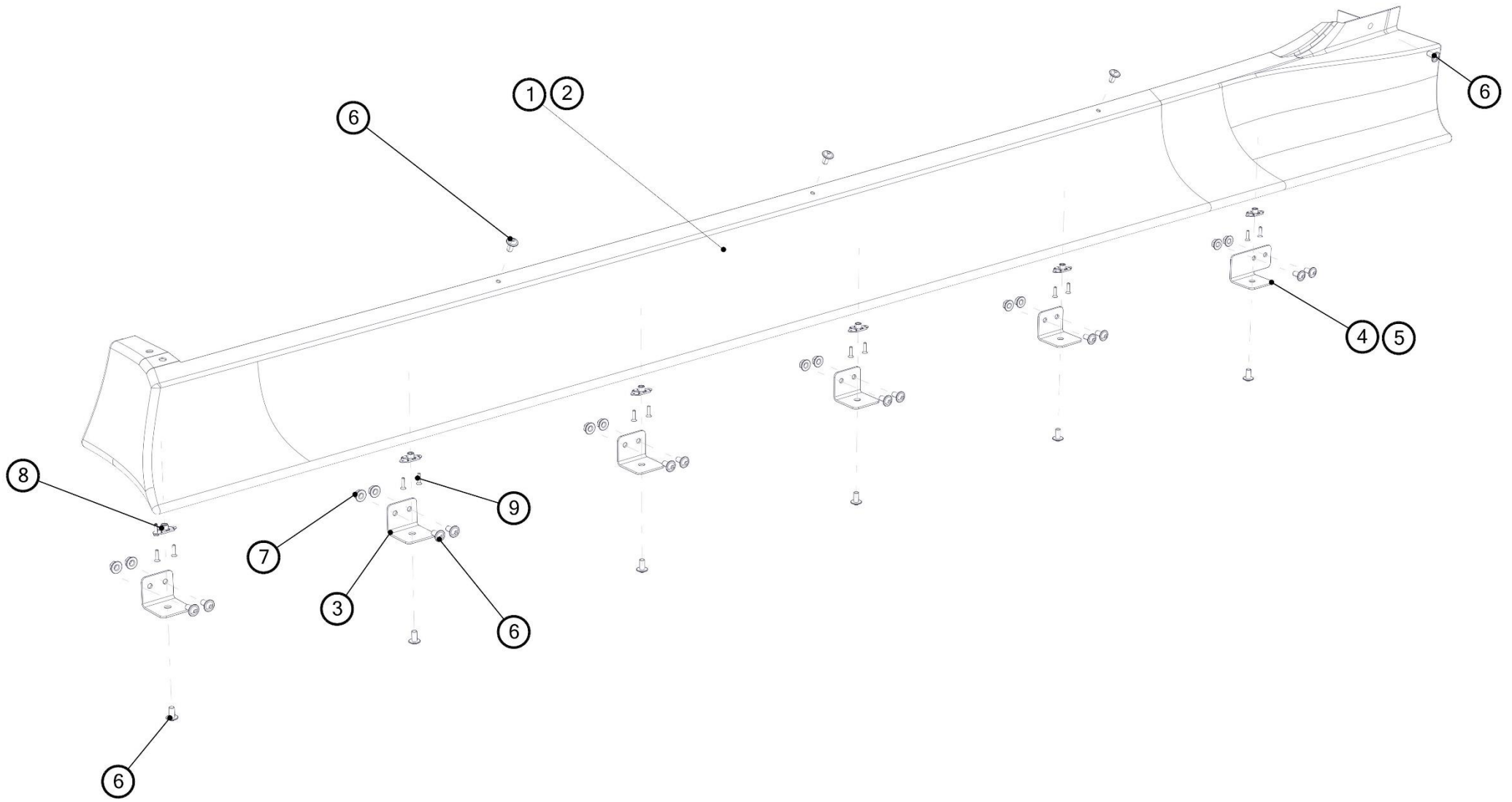
R6A-1 – Protection Moteur V1 – *Engine Protection V1*



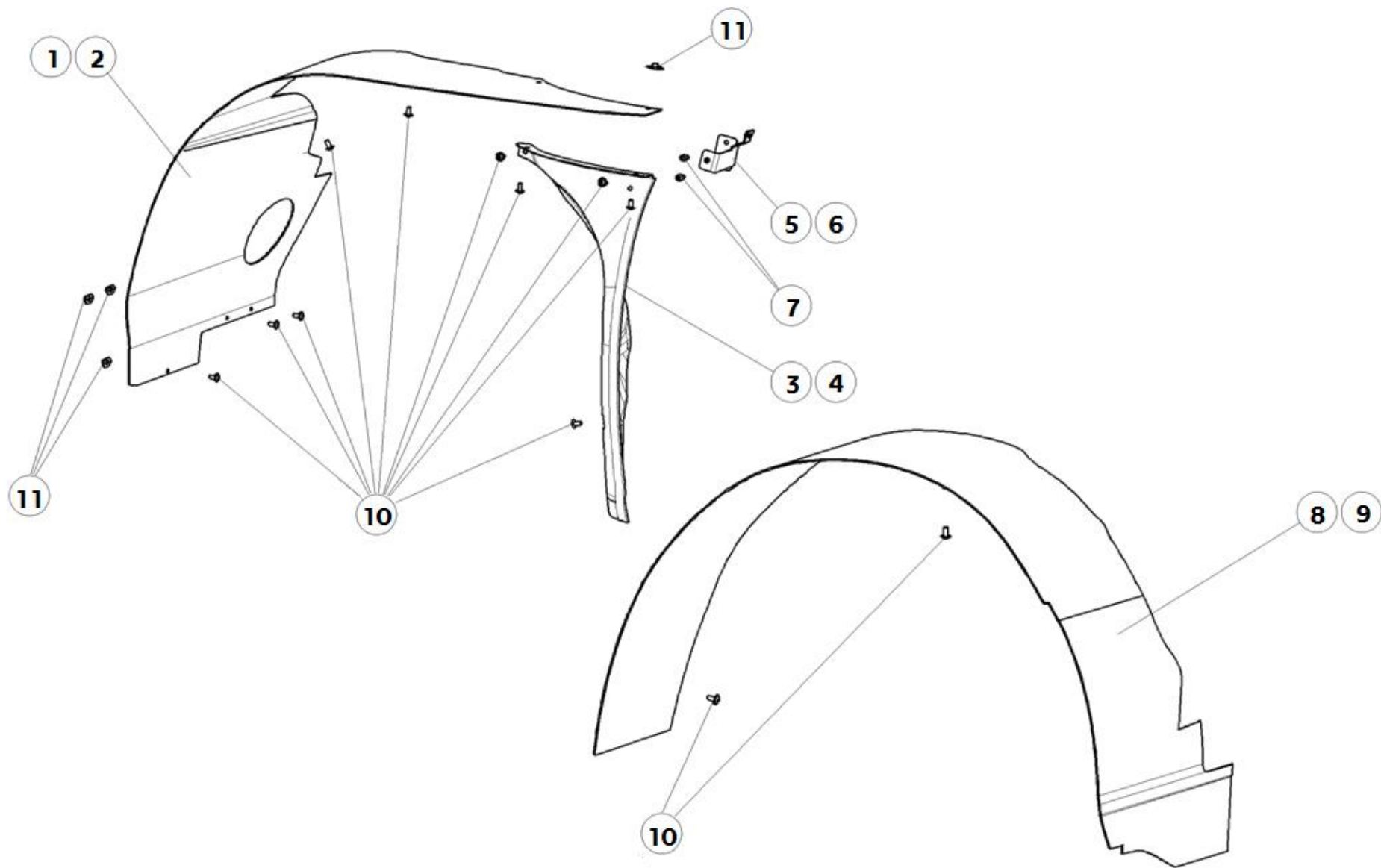
R6A-2 – Protection Moteur V2 – *Engine Protection V2*



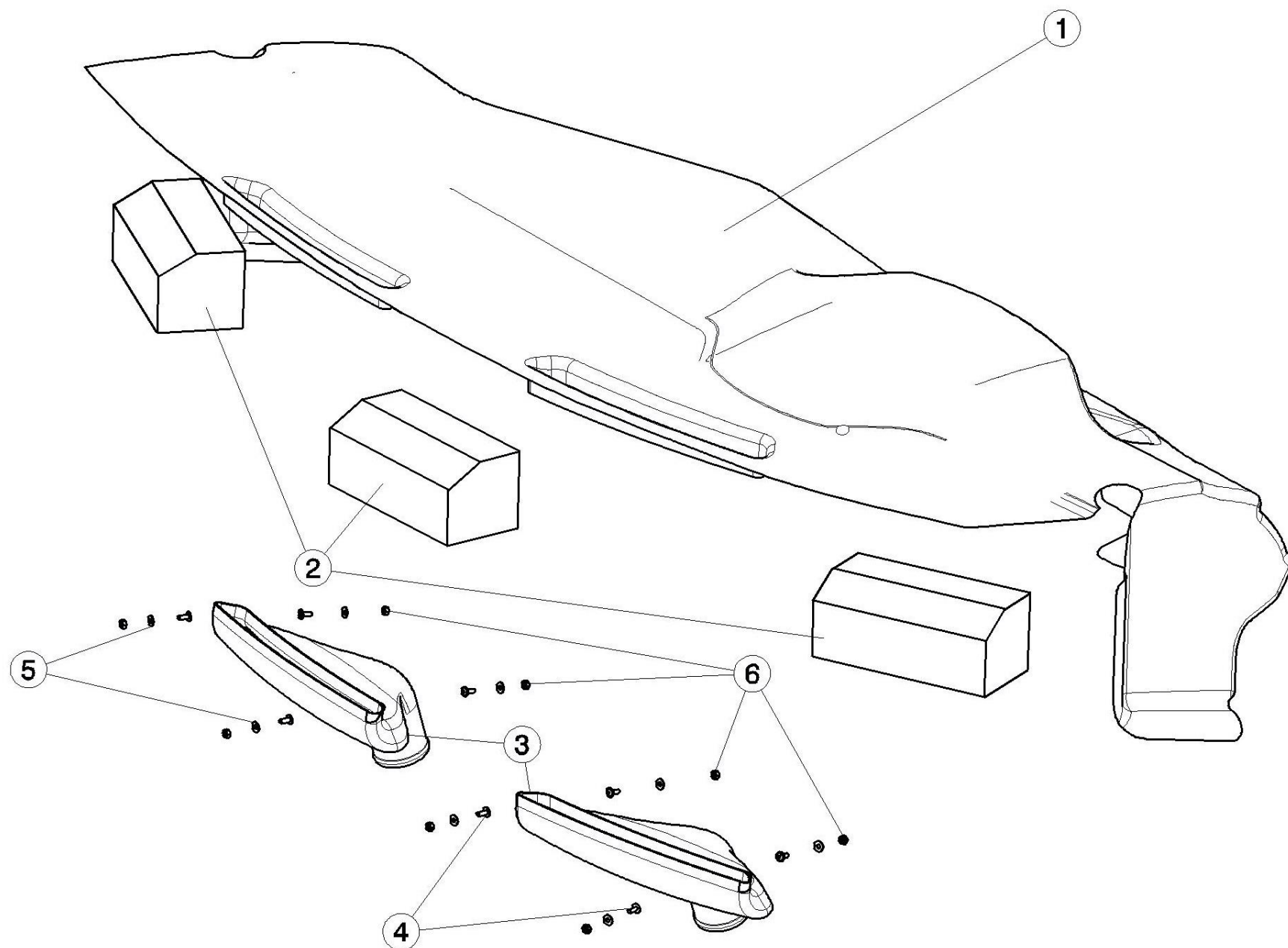
R6C-1 – Bas de Caisse – *Side skirts*



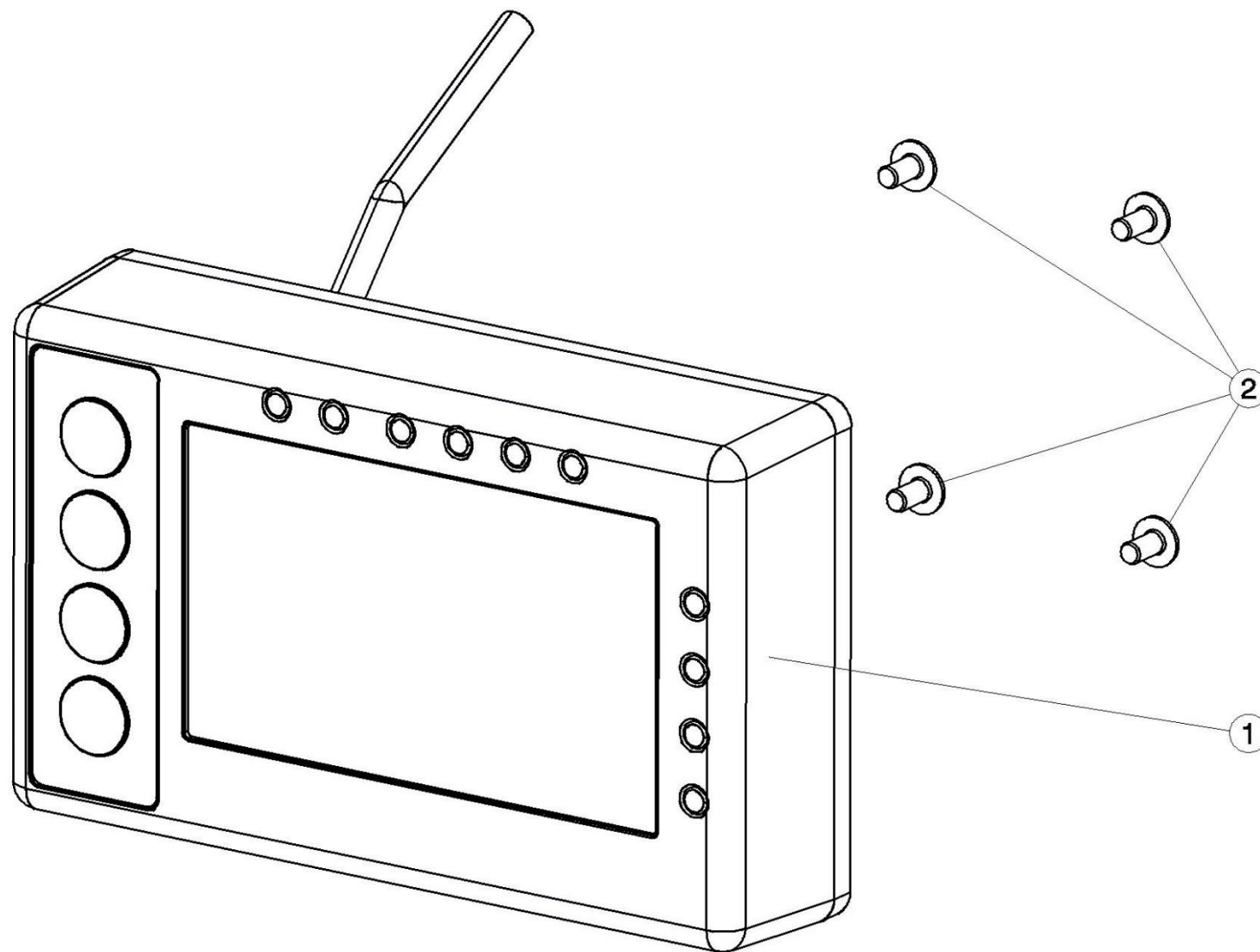
R6C-2 – Protection passage de roues – *Wheels mud guards*



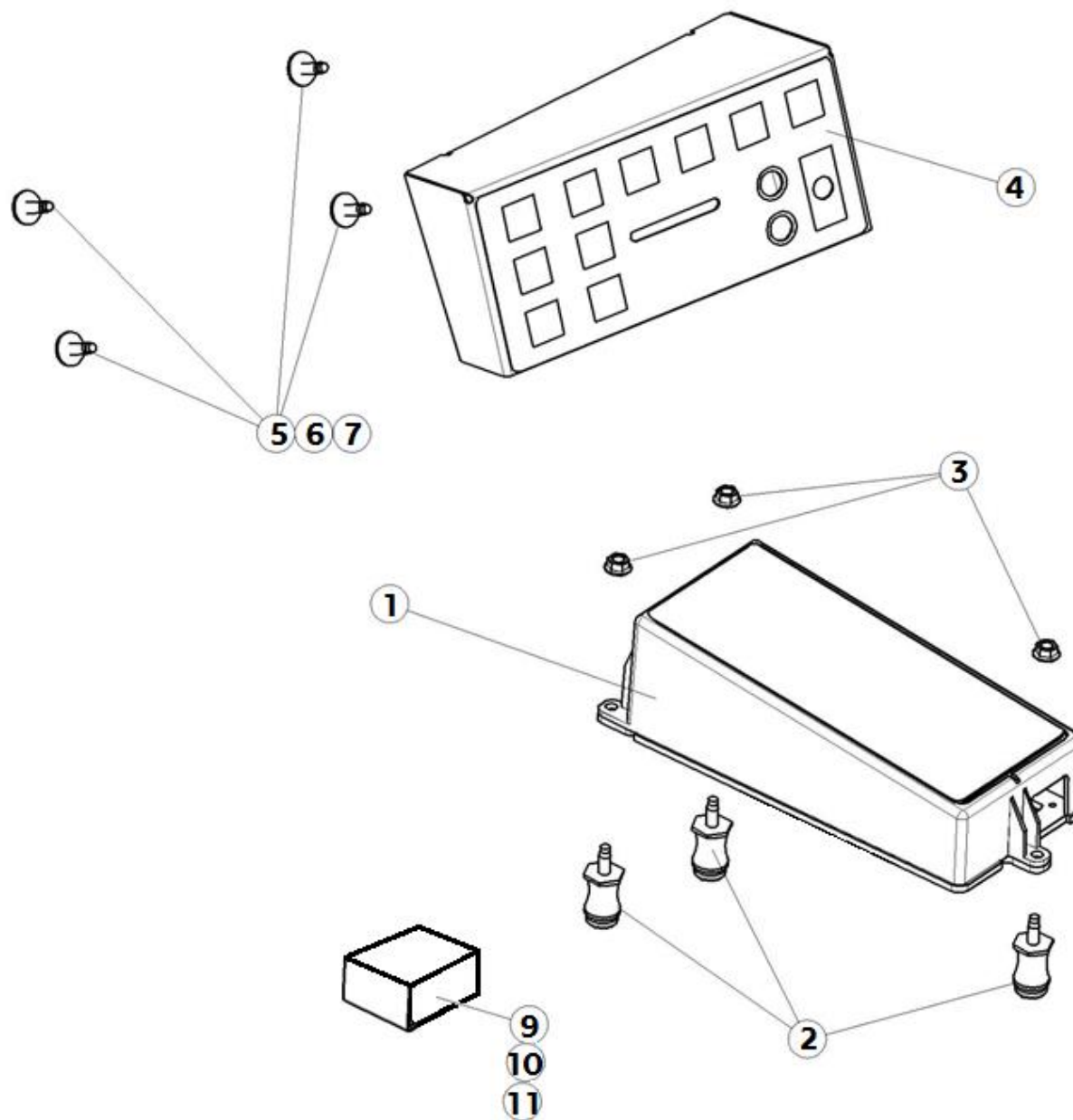
S1A – Planche de Bord – Dashboard



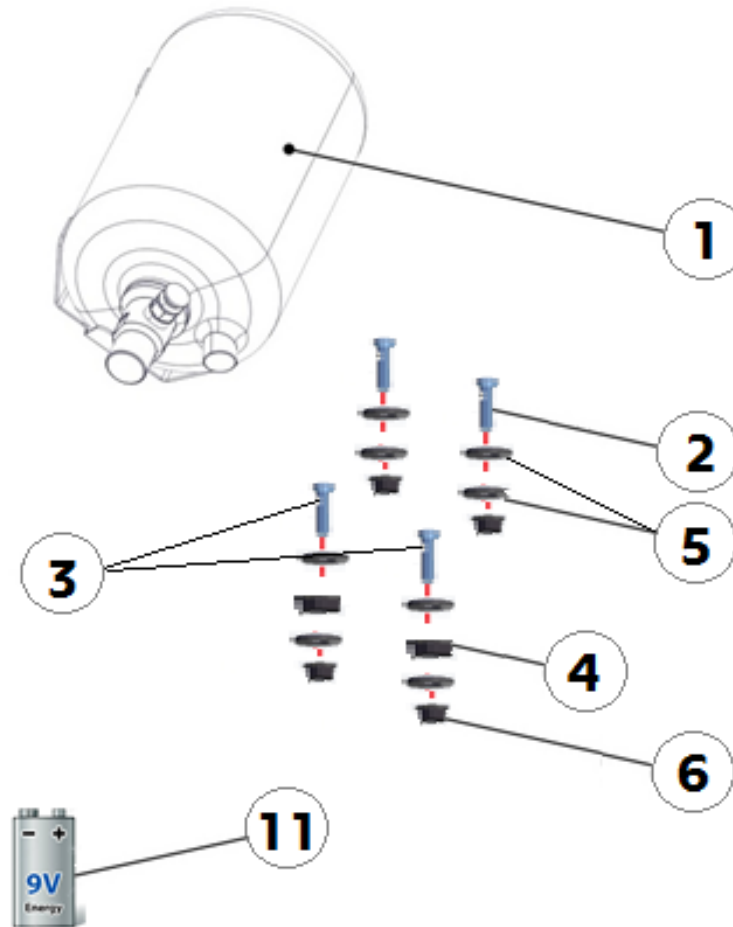
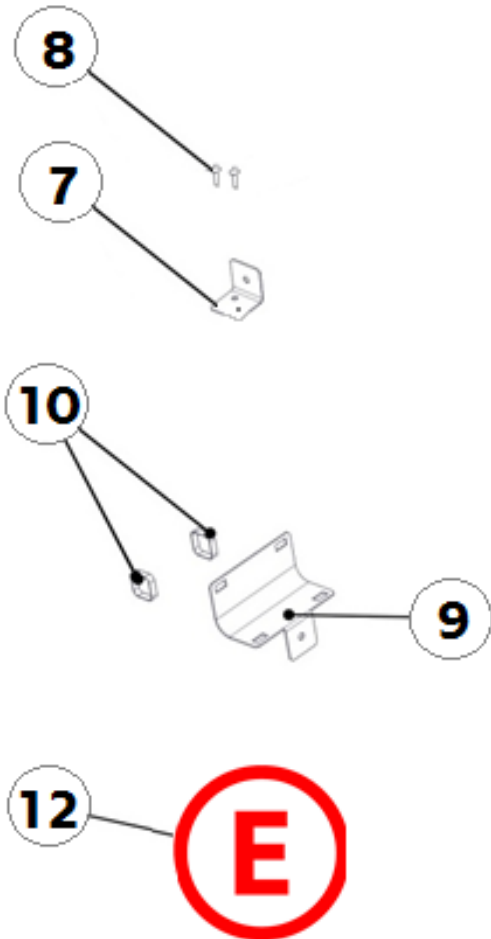
SIC – Afficheur – *Dashboard Display*



S3A – Console Centrale – *Center Console*



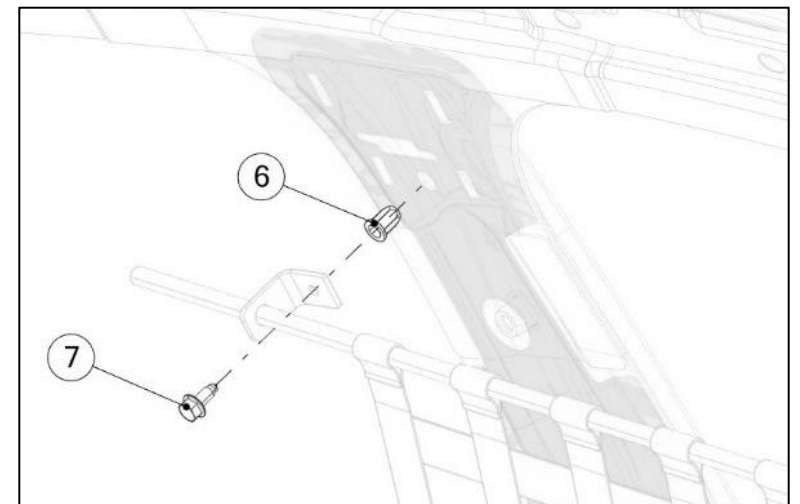
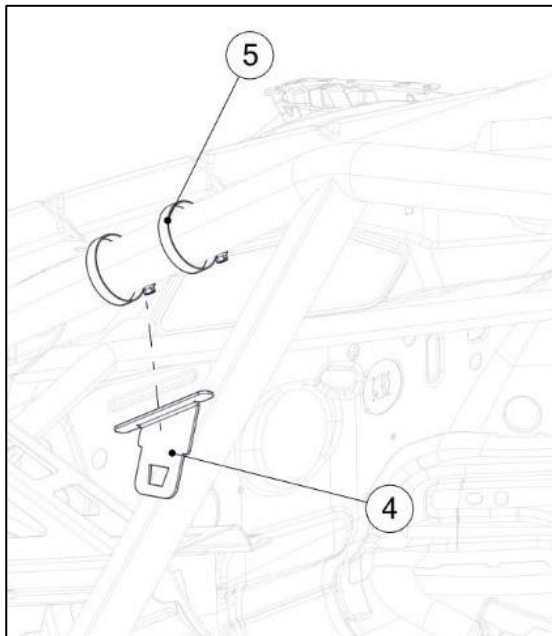
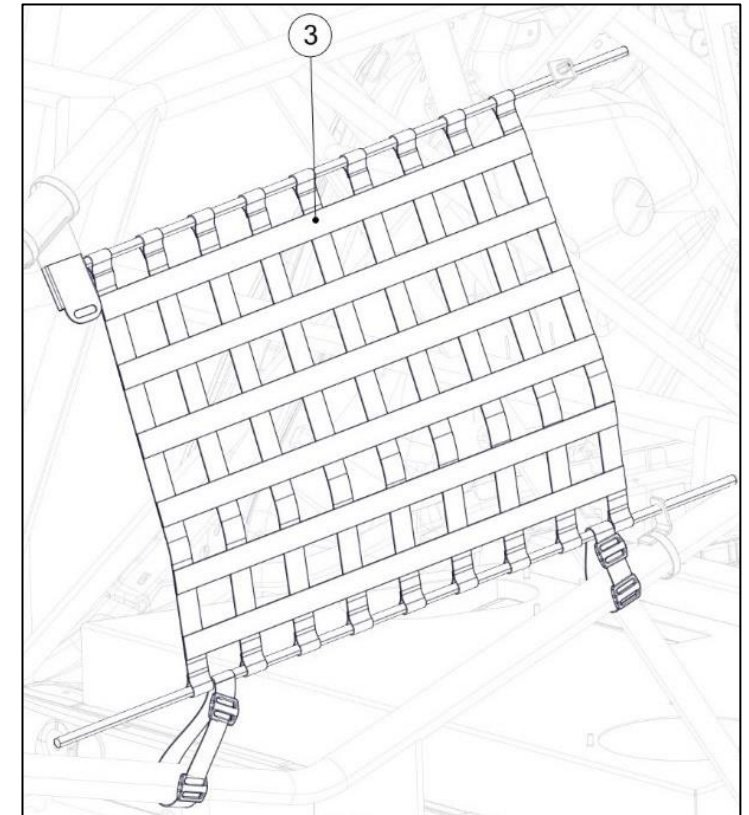
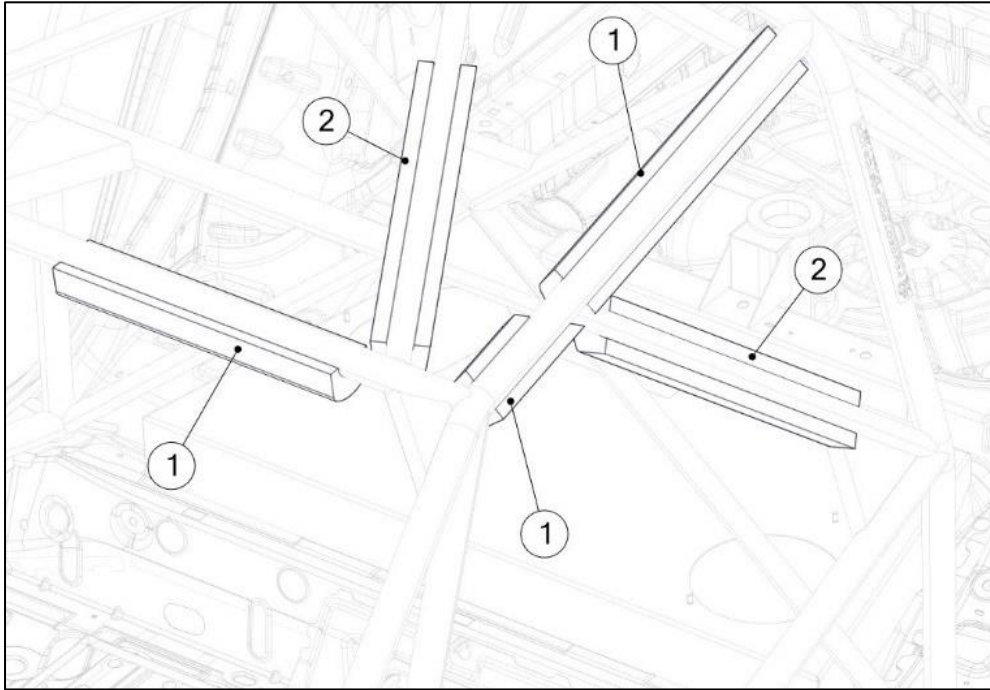
T3C – Extincteur Automatique – *Automatic Fire Extinguisher*



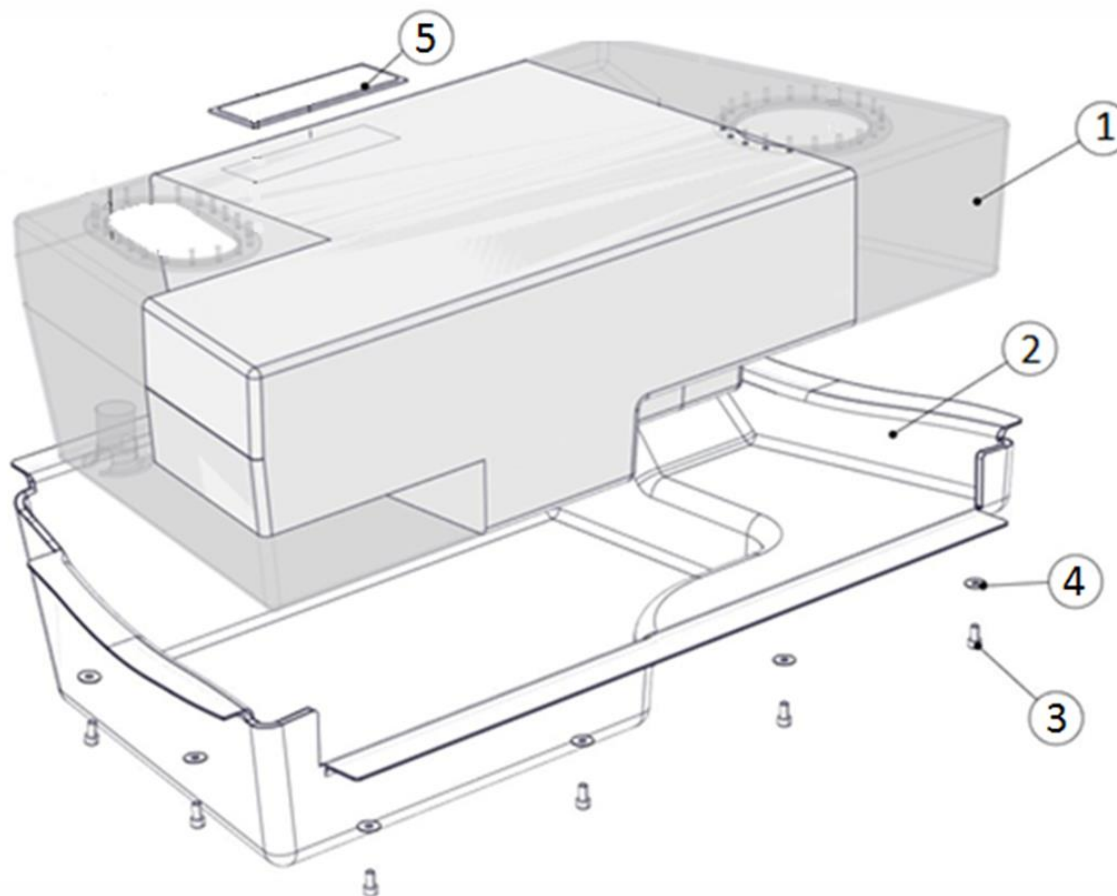
REP	REFERENCE	QTE	DESIGNATION
1	904619968A	1	Extincteur auto Automatic Fire Extinguisher
2	PS84527A10	2	VIS H M6X12 INOX A4-80 Hex screw M6-12
3	PS84529A10	2	Vis H M6x25 Inox A4-80 Screw M6x25
4	904446848A	2	ENTRETOISE - COI Spacer
5	PS86586A10	8	Rondelle 6 D18 E1.2 Washer 6x18-1.2 Phosphate
6	CS250041ST	4	Écrou H Nylstop M6X100 Nylstop nut M6X100
7	904467318B	2	Équerre fixation buse Nozzle Mounting Flat Angle Bracket
8	PS92582A10	4	RIVET 4x12 4x12 Rivet
9	904467308B	4	Équerre fixation buse tube Nozzle Roll Cage Mounting Bracket
10	904459498A	4	Collier Inox L4,6-Lng 521 Stainless Ball Collar L521w4.6
11	PS63021A10	1	Pile 6LR61 9 Volts 9 volts Battery
12	PS18-SE	1	Sticker signalisation Extincteur Extinguisher sticker
13			
14			
15			
16			
17			

REP	REFERENCE	QTE	DESIGNATION
18			
19			
20			
21			
22			
23			
24			
25			
26			
27			
28			
29			
30			
31			
32			
33			
34			

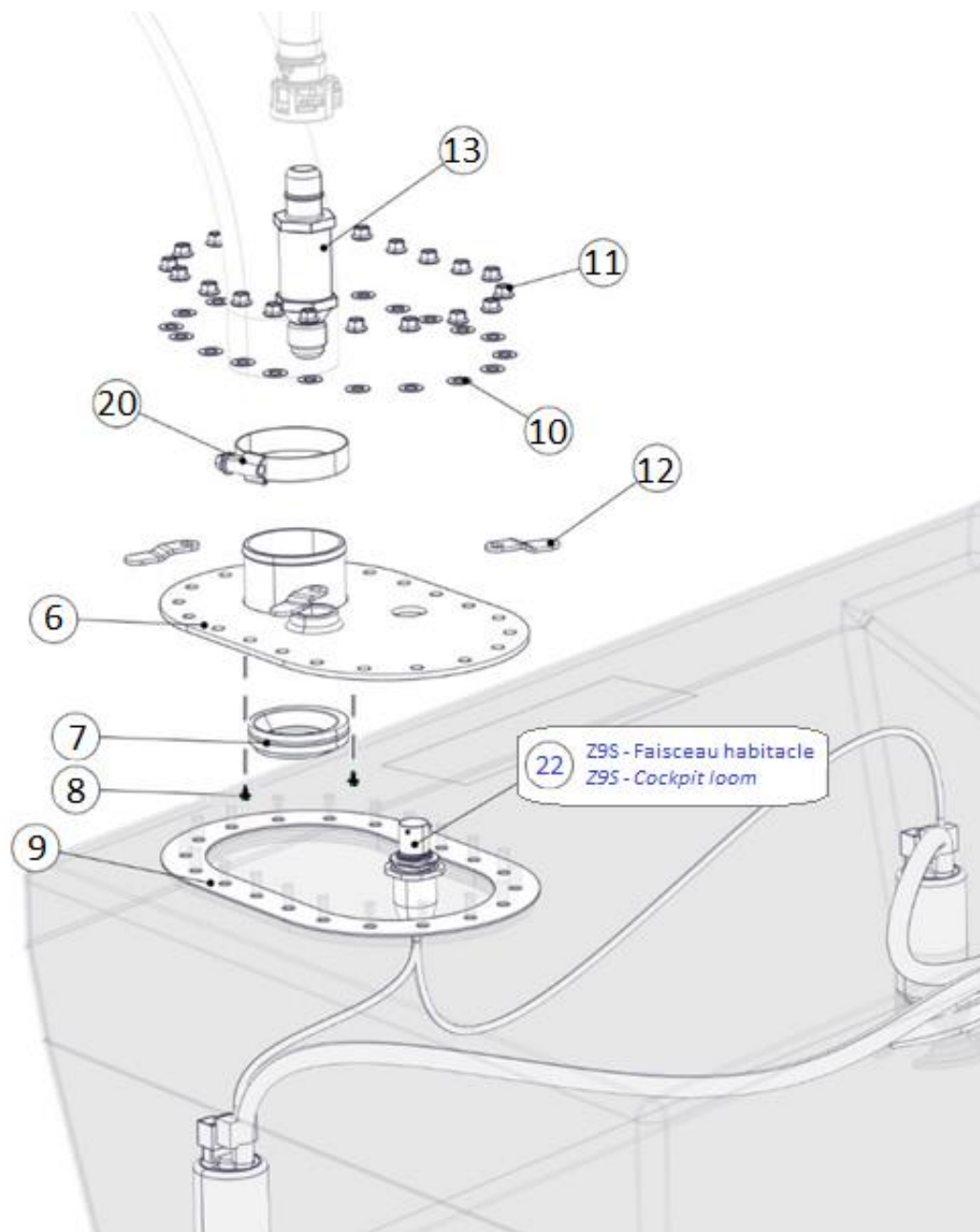
T3L – Éléments de Protection – *Protection components*



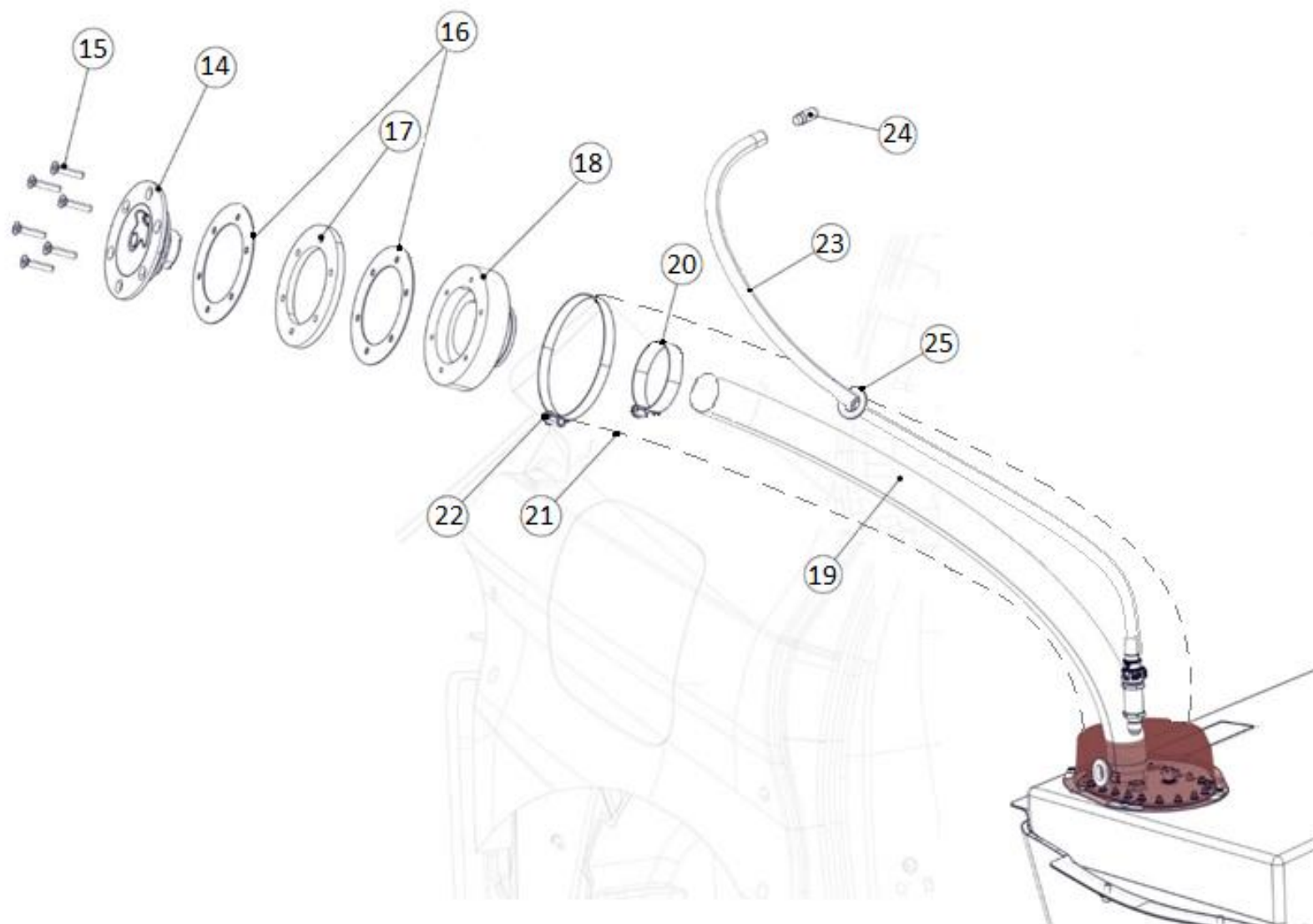
T4A – Réservoir Carburant – Fuel Tank



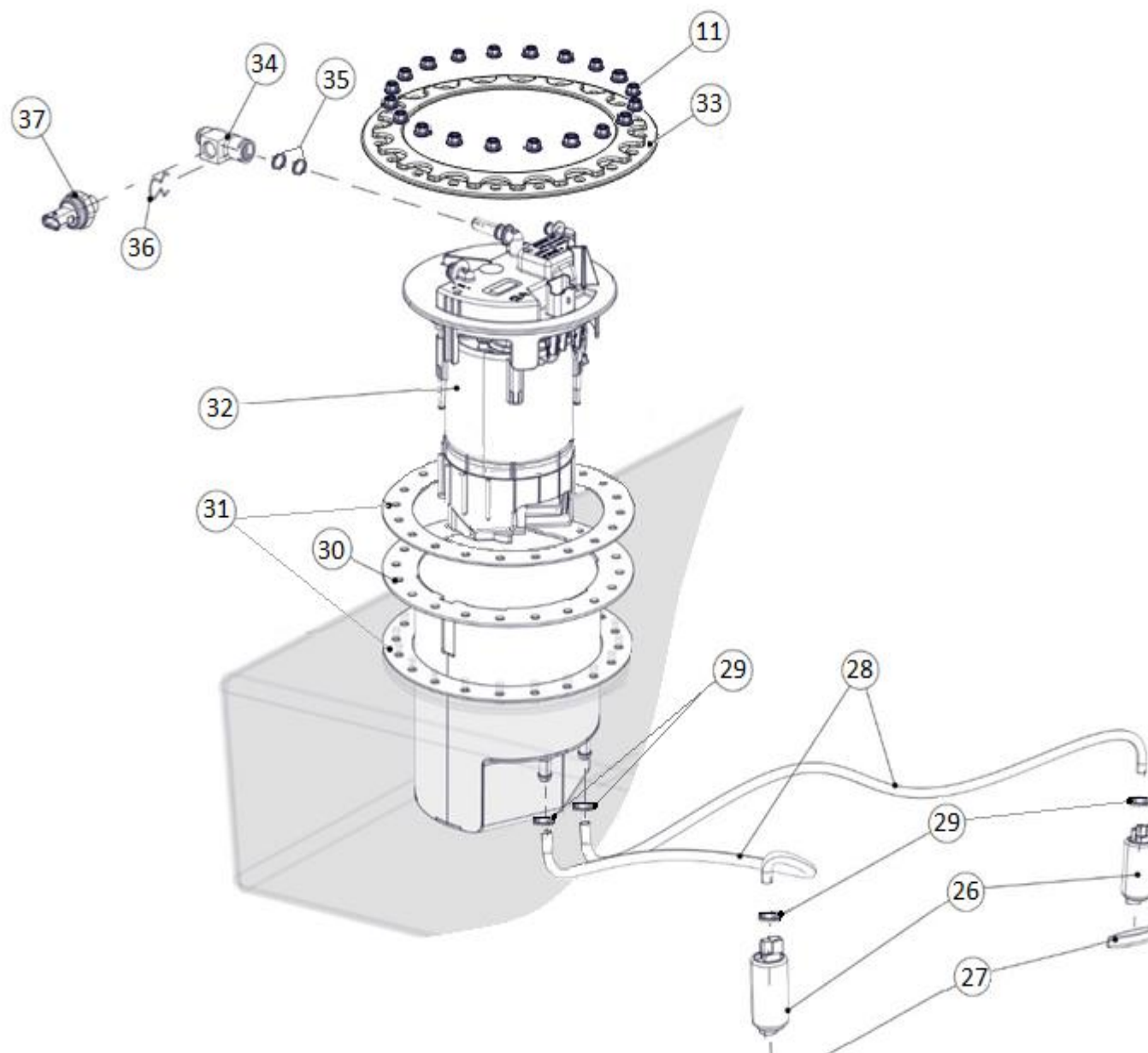
T4A – Réservoir Carburant – Fuel Tank



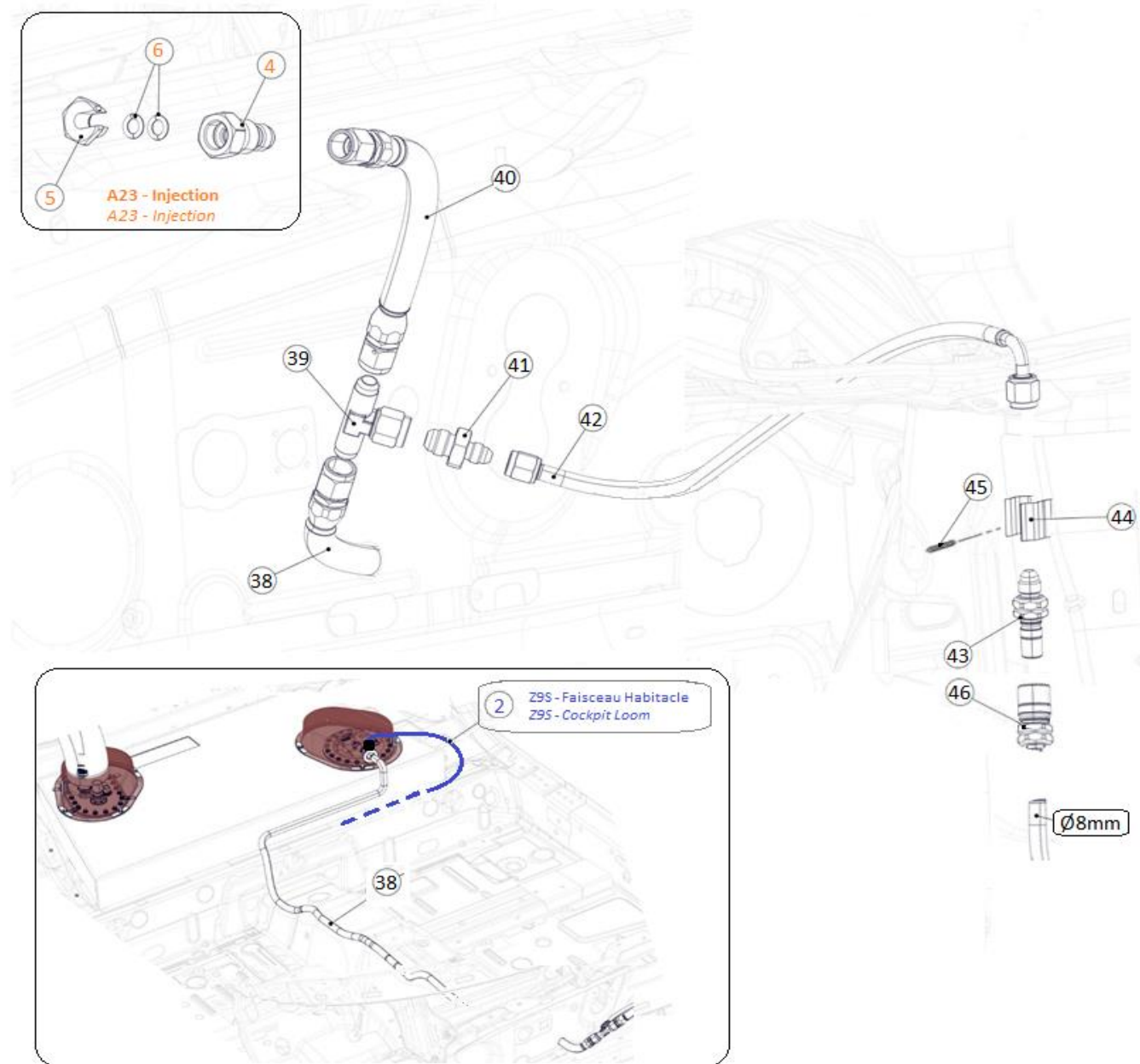
T4A – Réservoir Carburant – Fuel Tank



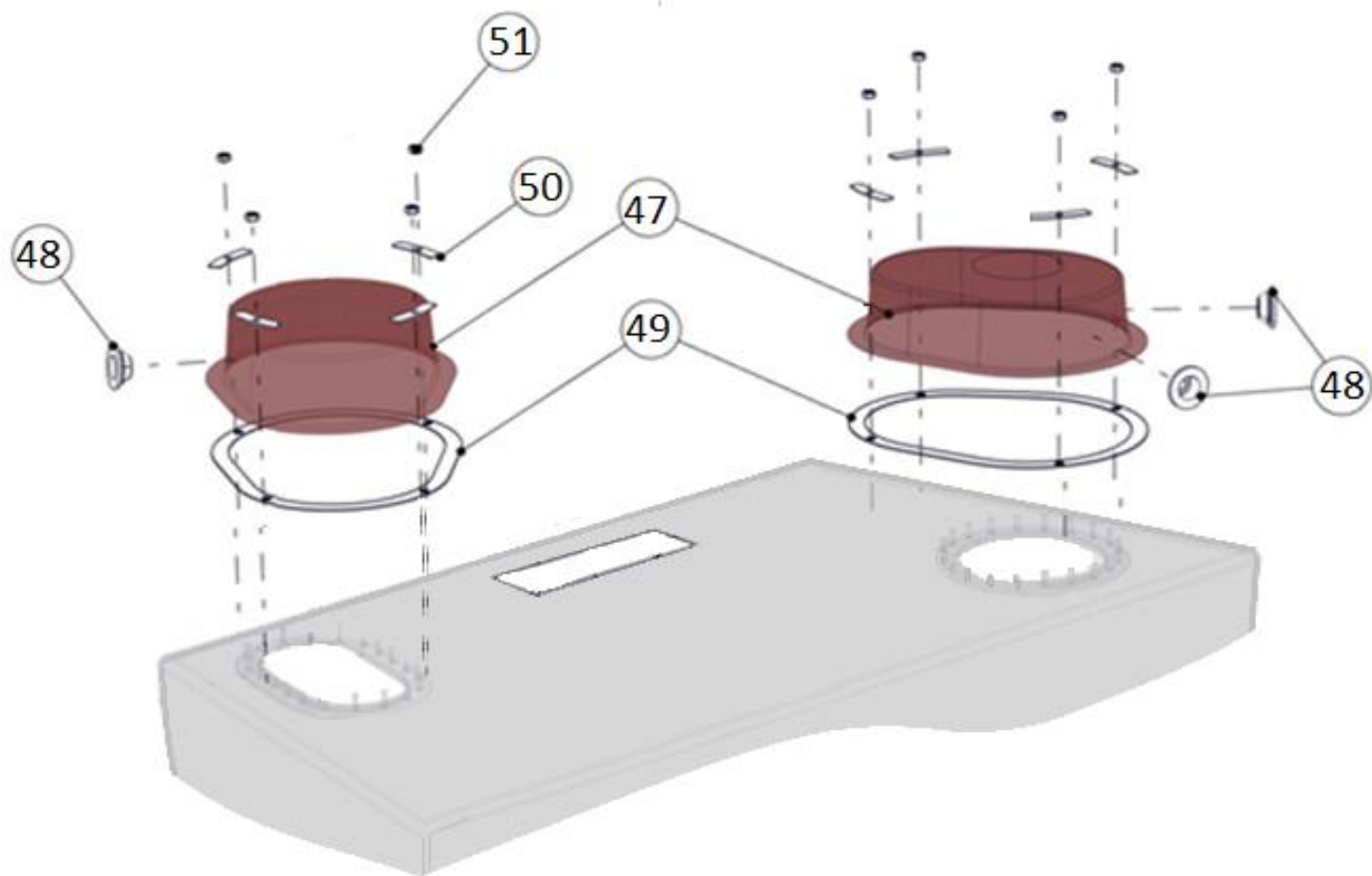
T4A – Réservoir Carburant – Fuel Tank



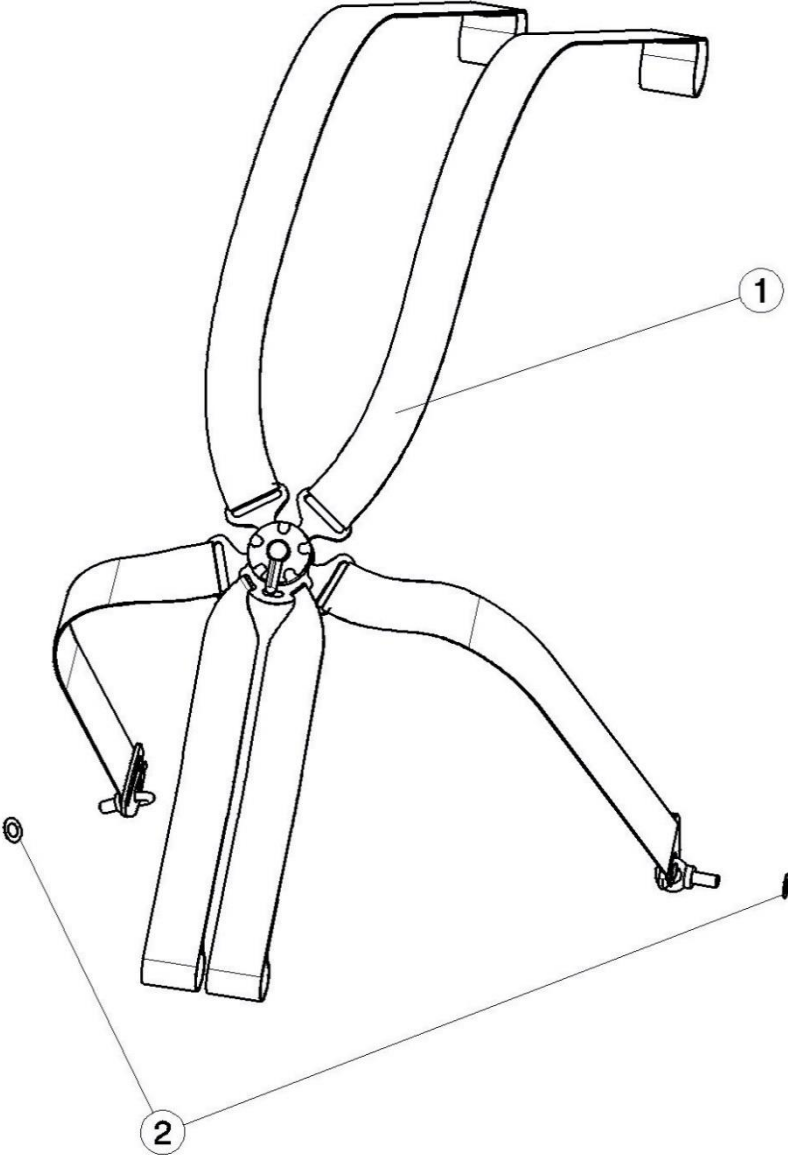
T4A – Réservoir Carburant – Fuel Tank



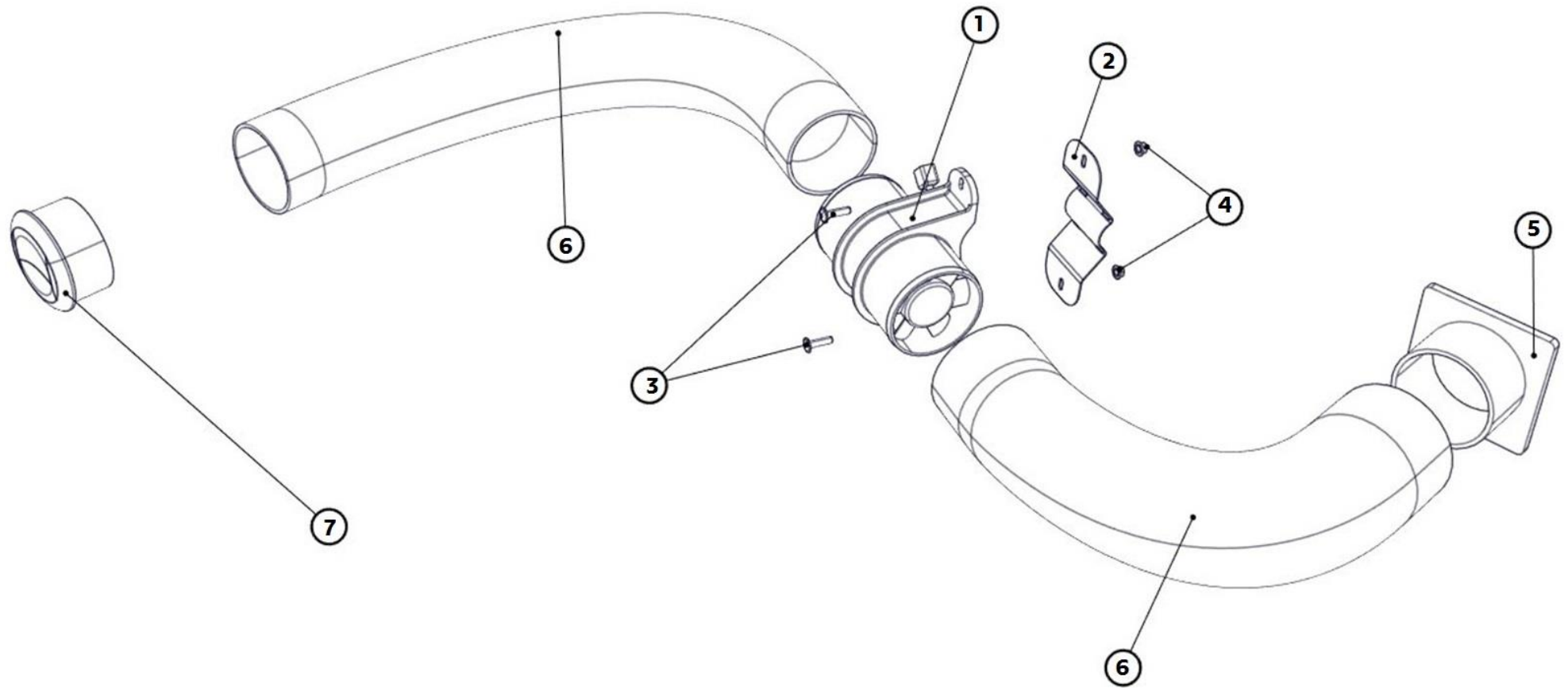
T4A – Réservoir Carburant – Fuel Tank



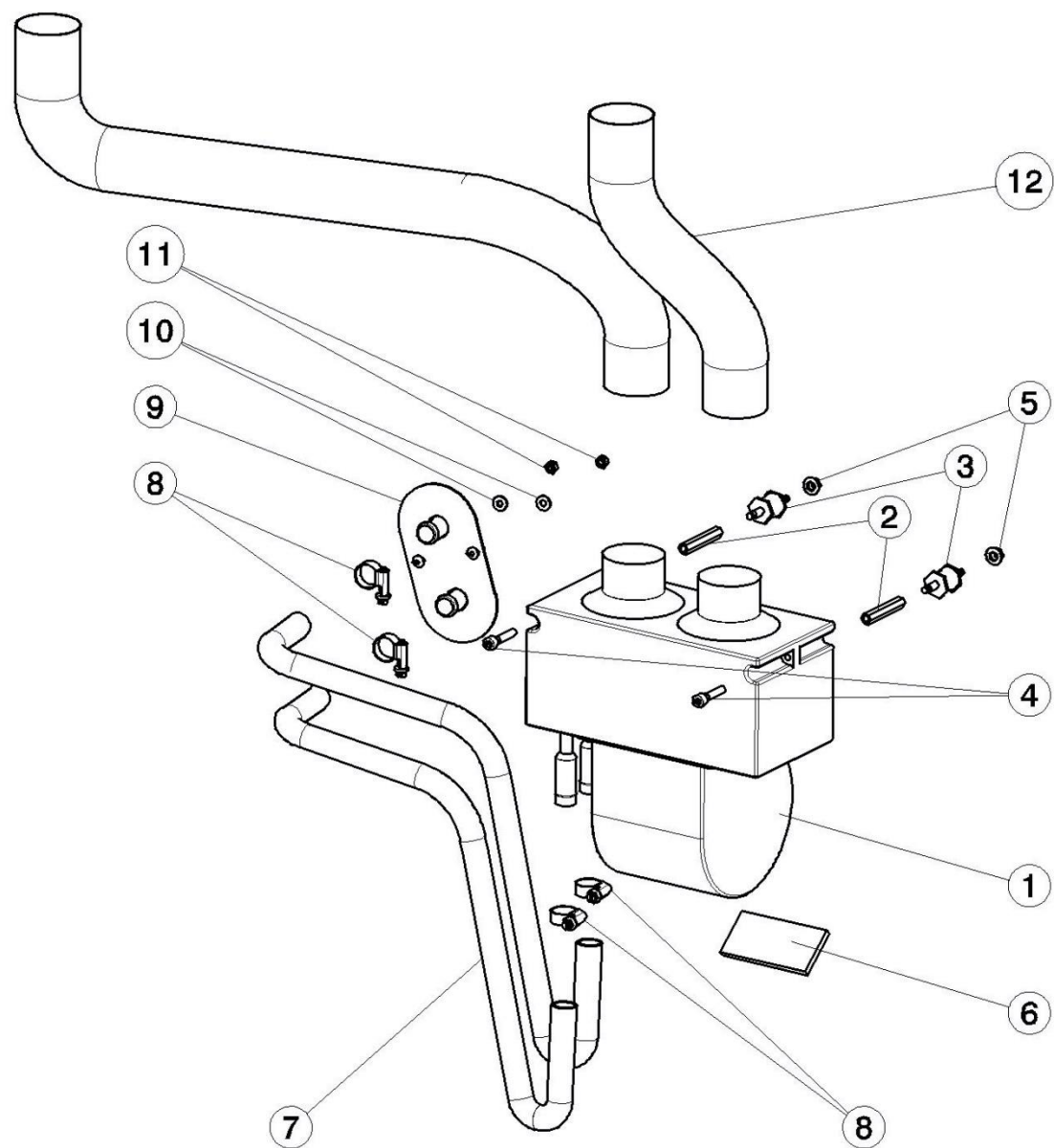
UTA – Harnais – *Safety Harness*



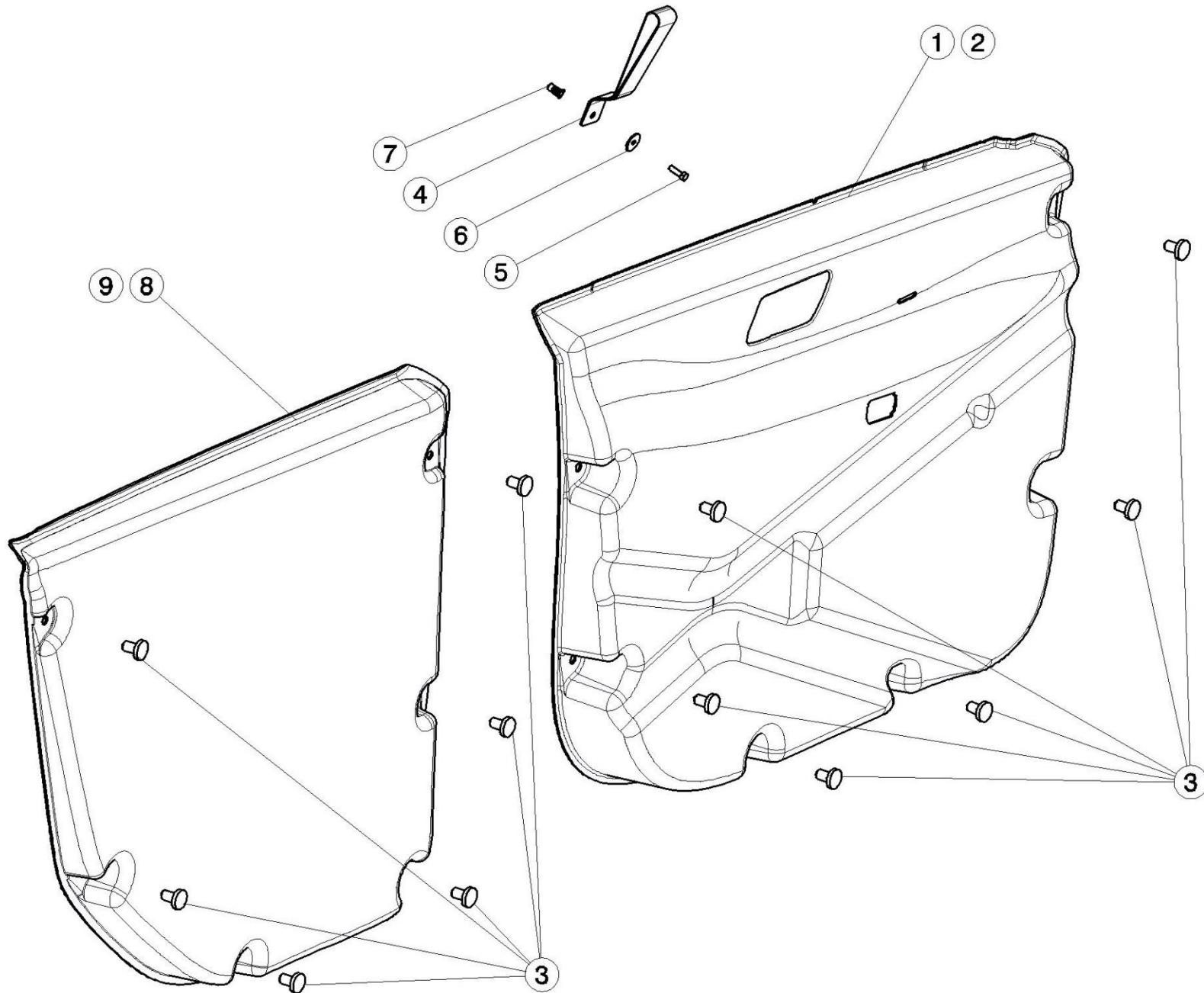
V1B – Ventilation Habitable – *Cockpit Venting*



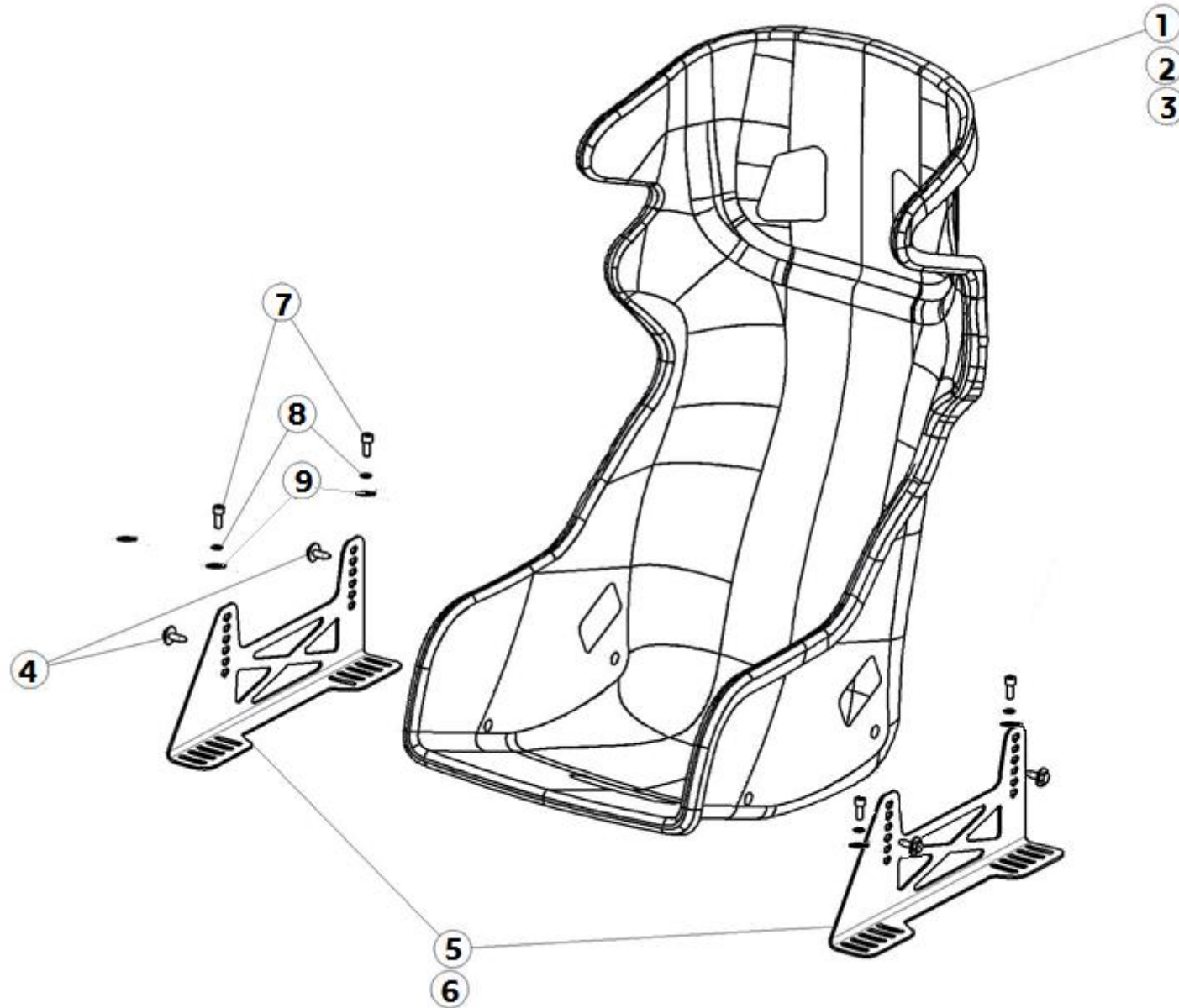
V2A – Circuit Chauffage – Heater blowing system



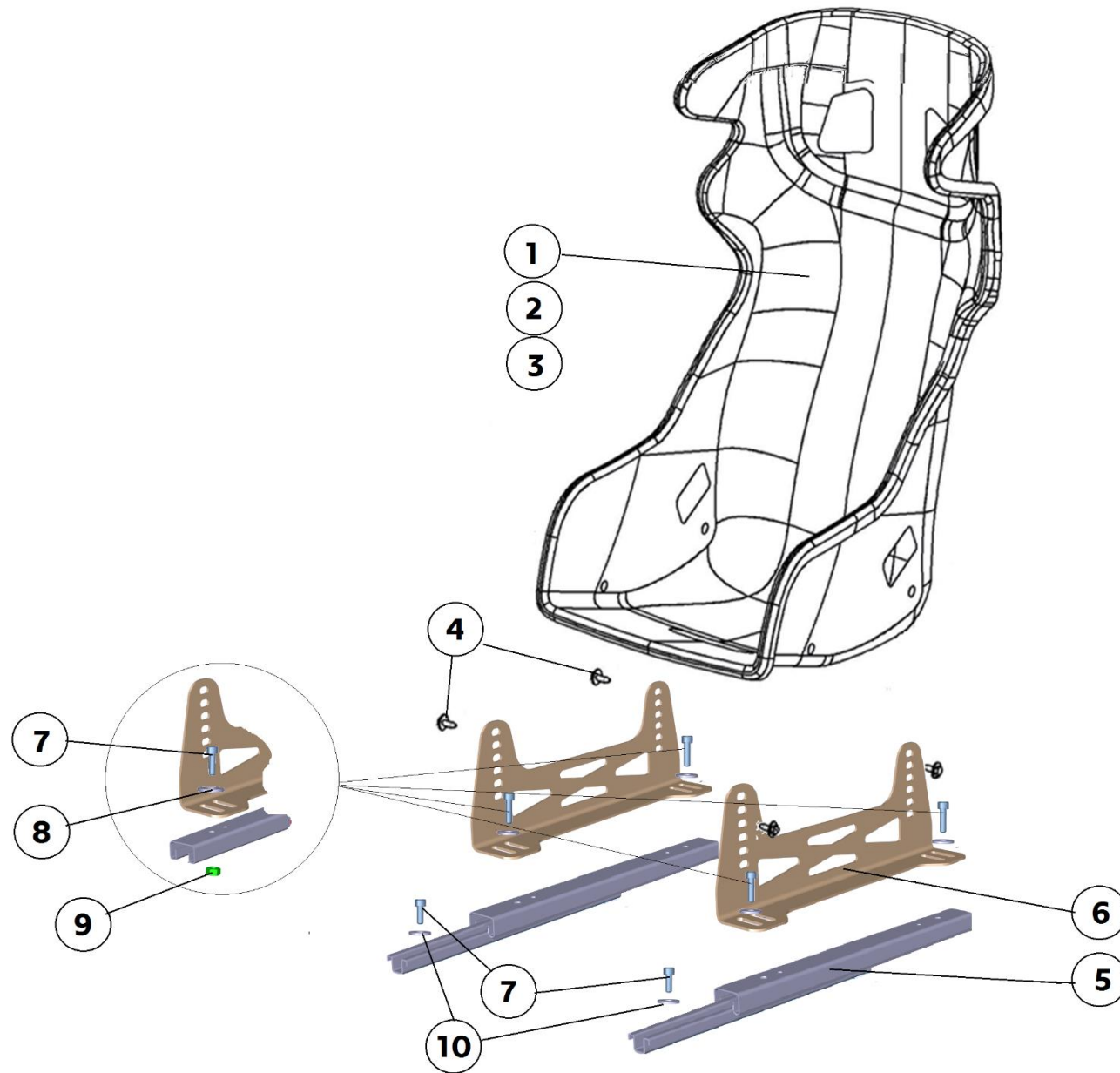
X4A – Panneaux de Porte – Door Panels



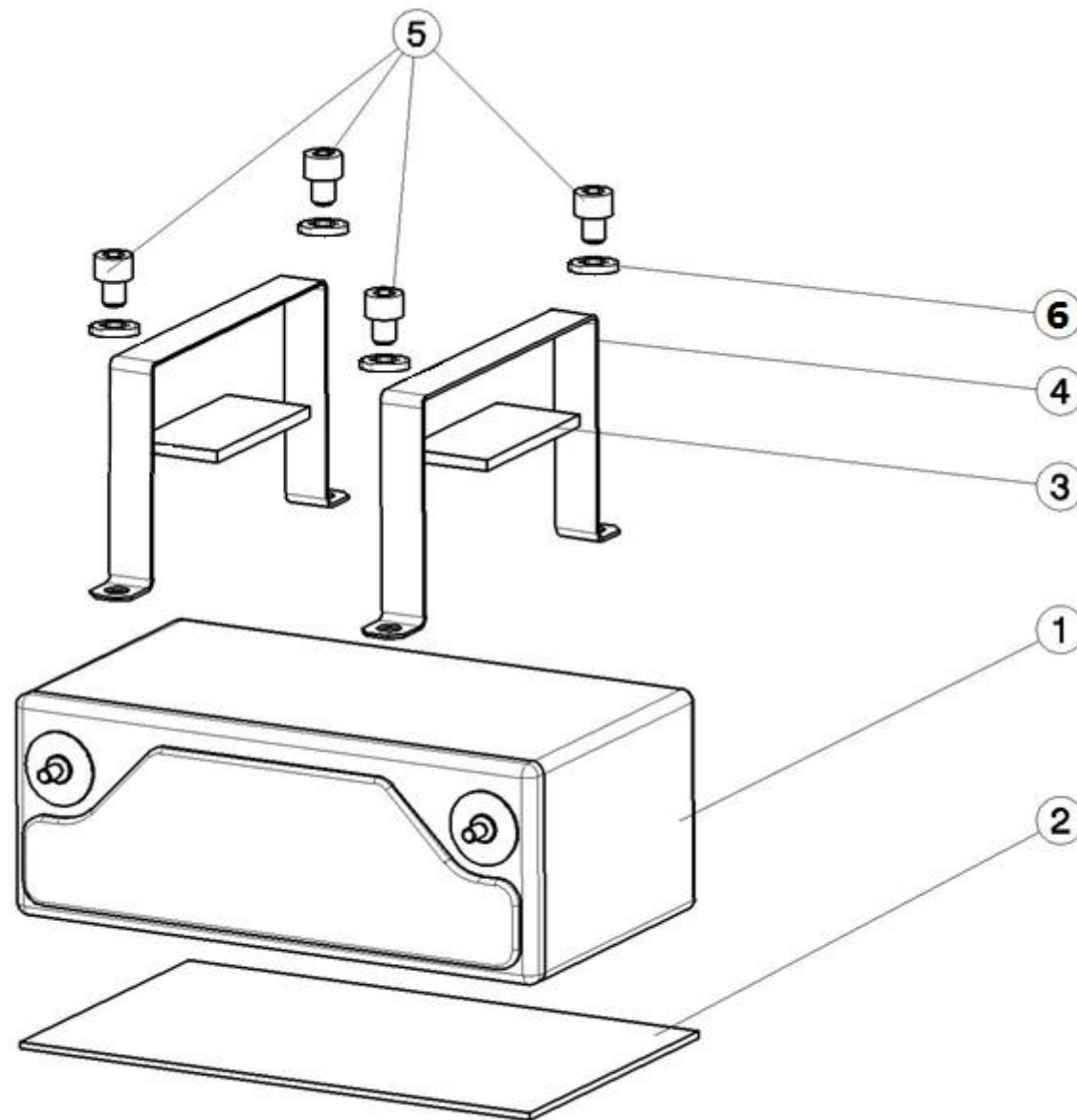
Y1A – Assise pilote – Driver seat



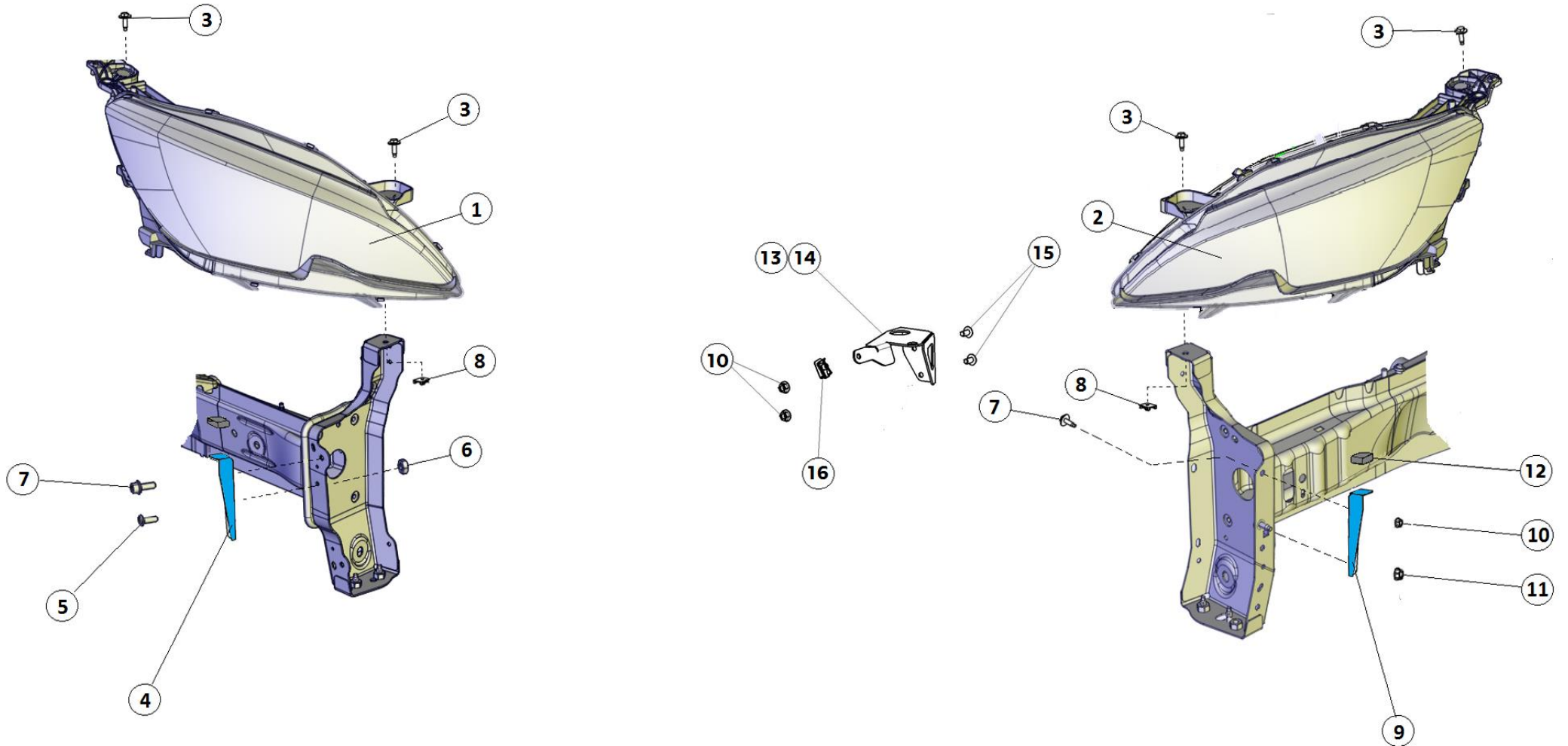
Y2A – Assise passager – Passenger seat



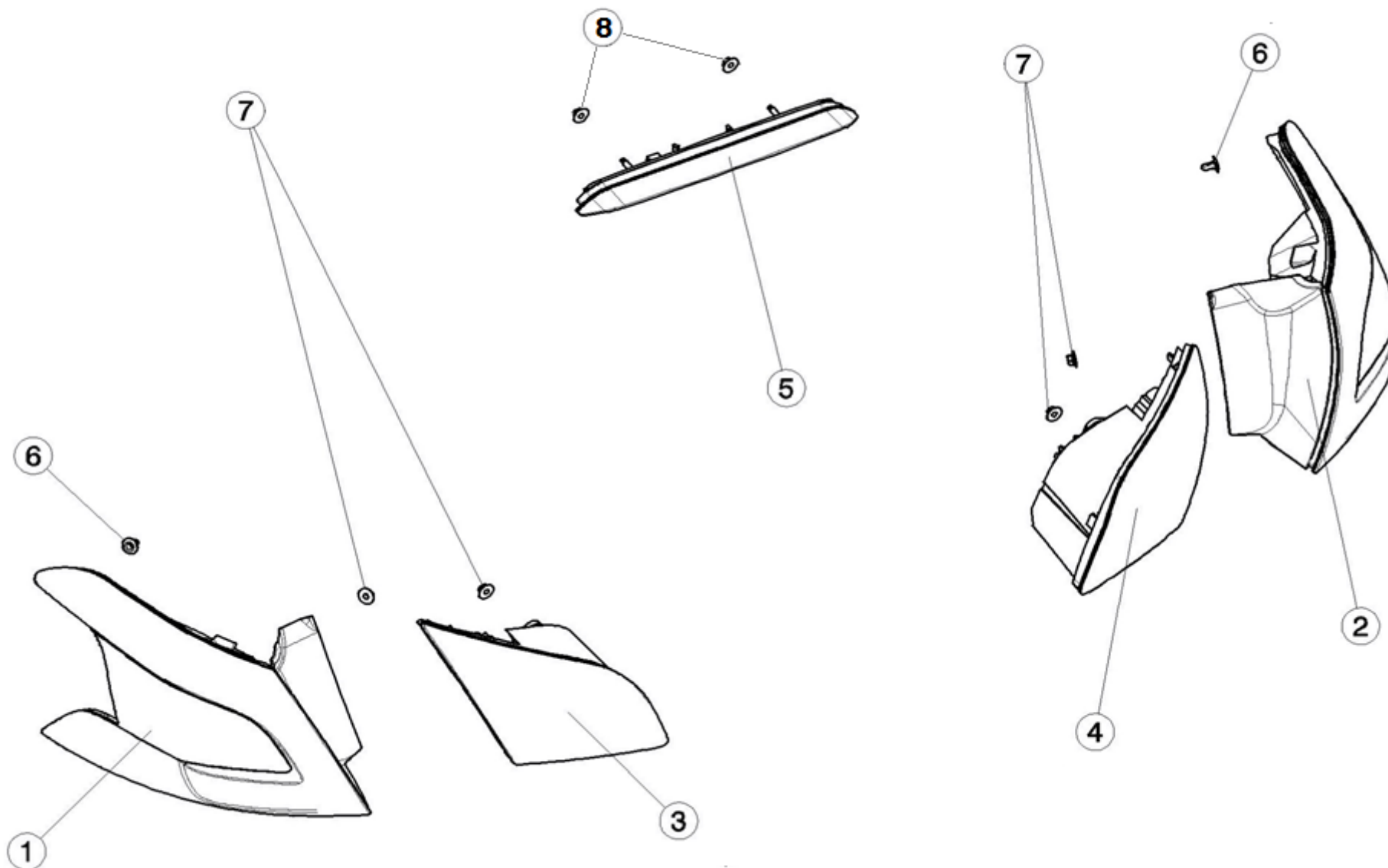
Z1C - Batterie - Battery



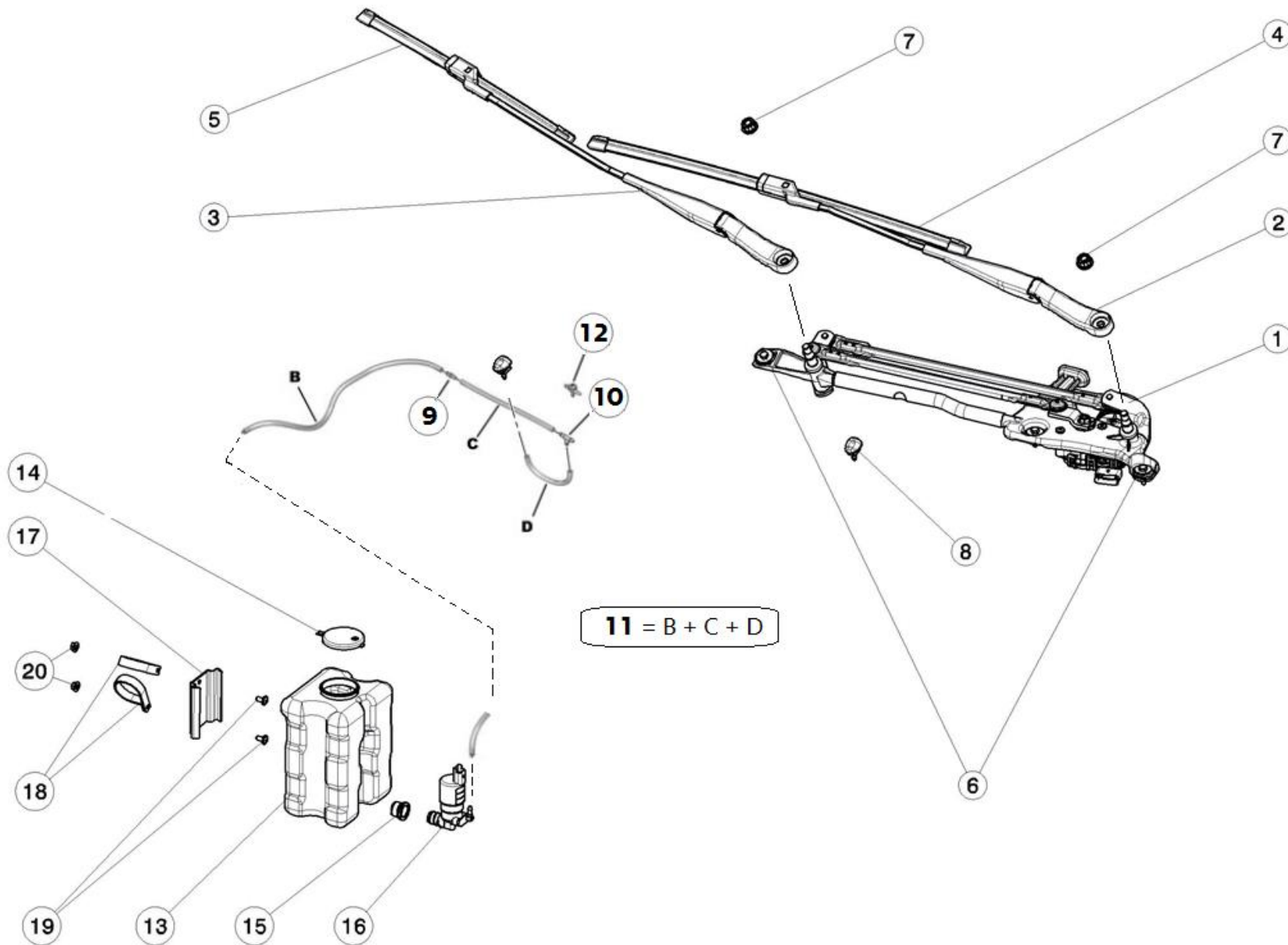
Z2A – Projecteurs Avant – *Head lights*



Z2F – Feux Arrière – *Rear Lights*



Z6E – Essuies Vitre Avant – *Windscreen Wipers*



Z9S – Faisceaux Habitable – Inside Looms

REP	REFERENCE	QTE	DESIGNATION
1	904486028B	1	Faisceau châssis Inside Loom
2	904434279D	1	Faisceau feux volet AR Tailgate lights loom
3	904434269B	1	Faisceau feux AV Head lights loom
4	904418148A	1	Faisceau lève-vitres Driver side window loom
5	904424019D	1	Faisceau servitude AV Front accessories loom
6	904492548B	1	Faisceau pompe de gavage Low pressure pump loom
7	904448619A	1	Faisceau batterie - coupe circuit Battery to main switch loom
8	3Z9S21672A	1	Câble puissance démarreur / CC Circuit breaker switch / starter cable
9	3Z9J21064A	1	Câble masse moteur Grounding Loom
10	904623398A	1	Poussoir extinct. Sparco ext. câblé Wired Sparco outer exting. button
11	904623268A	2	Faisceau extinct. Sparco câblé Sparco fire extinguisher loom
12	904623388A	1	Poussoir extinct. Sparco int câblé Wired Sparco inner exting. button
13	3Z9S89526A	2	Coupe circuit extérieur câblé Wired Circuit Breaker Switch
14	3Z9S20965C	1	Cadenceur essuie-glace Wiper rate regulator
15	9811627180	1	Centrale inertielle Inertial sensor
16	904613588A	1	Support accéléromètre Accelerometer mounting plate
17	PS82620A10	2	Vis CHC M6x15 Socket screw M6-15

REP	REFERENCE	QTE	DESIGNATION
18	PS82001A01	2	Vis CHC M6x20 Socket screw M6-20
19	694904	4	Rondelle plate std 6X14-1,5 Washer 6x14-1.5
20	904621128A	1	Cellule IR Sigmalis Sigmalis infrared beacon
21	904442048A	1	Support cellule Infrared beacon mount
22	903287058A	1	Support prise Nortronic Nortronic plug bracket
23	6981J6	1	Collier métal Ø90-110 I9mm Metal collar D90-110- Th9
24	3Z1C40608A	1	Protection cosse batterie noire Black terminal cover
25	6995CP		Connecteur postiche 2 voies noir Factitious connector 2 way
26	6995CQ		Connecteur postiche 3voies noir Factitious connector 3 way
27	904453388A		Sticker signalisation coupe circuit Main switch sticker
28	904453388A	1	Lot connecteurs inverses Invert Connectors Set
29	6980A1	4	Laniere-LG-200x5 Metallic collar lg-200x5
30	PS82625A10	1	Vis BHC EMB M3X050 L12 Screw BHC M3x0.5-12
31	4503-43	1	Écrou à embase M8x125 Collar nut M8x125
32	6939-97	1	Écrou RDL M6x7x18 Nut with washer M6x7x18
33	564649	1	Porte-Fusible Fuse mount
34	9675762480	1	Fusible 225A Mega (Littelfuse 225A Maxi Fuse

